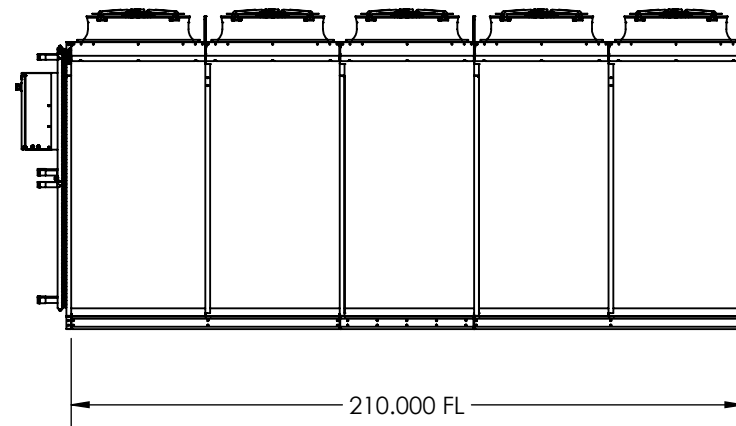
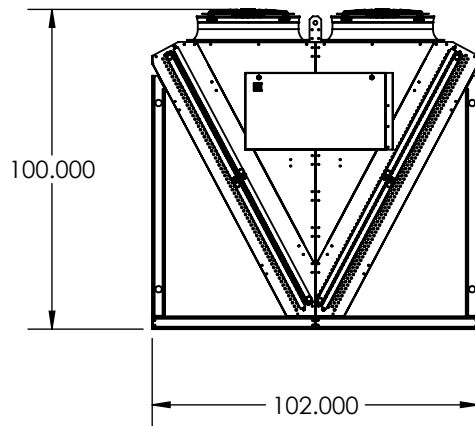
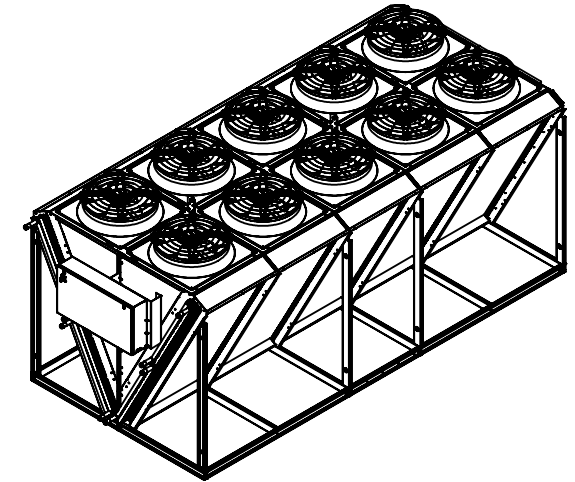
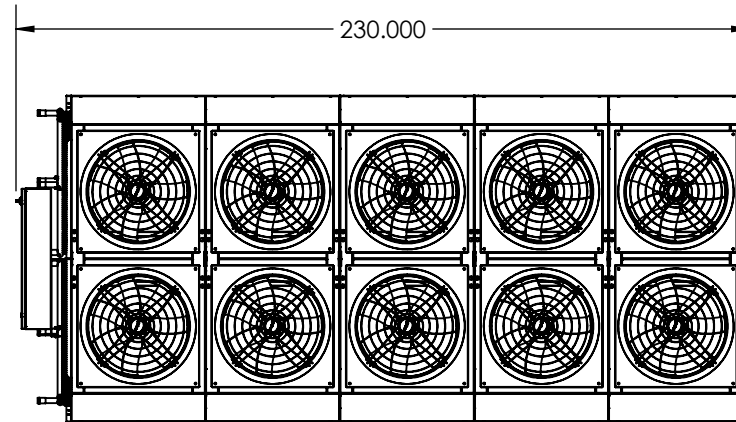


REVISIONS		
REV.	DESCRIPTION	DATE



DIMENSIONS ARE IN INCHES
 TOLERANCES
 (UNLESS OTHERWISE SPECIFIED):
 FRACTIONAL $\pm 1/32$
 DECIMAL:
 DIM. UNDER 10" ± 0.03
 DIM. ABOVE 10" ± 0.06
 ANGULAR: MACH \pm BEND $\pm 1^\circ$

PROPRIETARY AND CONFIDENTIAL
 THE INFORMATION CONTAINED IN THIS
 DRAWING IS THE SOLE PROPERTY OF
 DIRECT COIL INC. ANY REPRODUCTION
 IN PART OR AS A WHOLE WITHOUT
 THE WRITTEN PERMISSION OF DIRECT
 COIL INC. IS PROHIBITED.

	NAME	DATE
DRAWN	-	-
CHECKED	-	-
MFG APPR.	-	-

COIL CERTIFICATION:
 CSA FILE NO. : 242755
 MODEL : DC1

THIRD ANGLE PROJECTION

 DO NOT SCALE DRAWING



DIRECT COIL INC.
 5055 TAYLOR KIDD BLVD.
 MILLHAVEN, ON K0H 1G0
 PHONE: 613-544-2200
 FAX: 613-544-7779

2X5 FAN FLUID COOLER LARGE V

SIZE A	DWG. NO. FC-2X5L	REV. --00
SCALE: 1:128	WEIGHT: NOT CALCULATED	SHEET 4 OF 8