

CHRISTIAN EDUCATION CLASS GUIDE



Spring 2014
March through May

Sunday School Classes
Family Night Services
Small Groups

CHRISTIAN EDUCATION CLASS GUIDE

2014
SPRING QUARTER

Classes begin Sunday,
March 2, 2014

For your convenience, a pdf of this guide is available on our
website at www.1stassembly.org.

Sunday School

Classes

Sunday Mornings

9:15 AM - 10:15 AM

Children (Birth to Kindergarten)

Masterpiece Nursery (Children - Birth to 3 years of age)

The Nursery ministers to our youngest children, ages birth to 3 years old, on Wednesday nights and Sunday mornings. We believe that each child is an entrusted treasure, a Masterpiece - made by God, made without mistake, made to be great! Our volunteers serve with the goal of helping each child experience God through loving care in a positive, nurturing, safe environment. In a fun-filled atmosphere, older children are also encouraged to learn about the Bible. Each child in every class is prayed over with the confidence that God has a good plan for each life and a desire to see each child established in that plan from an early age.

Nursery rooms are located on the first floor. At check-in on Sunday mornings, each child is given an identification card/number. If a child needs parental assistance during service, nursery workers will notify parents electronically via the digital display in the Sanctuary.

Masterpiece Nursery (Little Links - Ages 4 & 5, Kindergarten)

Unit 1: Jesus Is My Healer

Jesus' ability and desire to heal is demonstrated through stories about several people He healed.

Unit 2: Jesus Is My Savior

Kids will hear about the lost sheep, the woman who anointed Jesus, Communion, and Jesus' triumphal entry and resurrection.

Unit 3: Jesus Is My Friend

Kids will find out how Jesus gave good news to two men on the Emmaus road, helped Thomas conquer doubts, forgave Peter, and returned to Heaven.

Sunday School Classes

Sunday Mornings
9:15 AM - 10:15 AM

Children (1st to 4th Grades)

Primary (1st & 2nd Grades)

Unit 1: Stories of Elijah

Primaries will love the exciting stories about God's provision for Elijah.

Unit 2: Stories about Easter

This unit will help students learn of Jesus' triumphal entry, His resurrection, and His encounter with a doubting disciple who later believed.

Unit 3: Stories of Elisha

Students will explore Elisha's powerful ministry. They will hear about a widow's oil multiplying, Naaman's healing, and God protecting Elisha.

Middler (3rd & 4th Grades)

Unit 1: God's Word

Kids will find out how we know the Bible is truly God's Word as well as how it serves as a guide for our daily lives.

Unit 2: Jesus in God's Plan

Through stories about Easter, kids will be able to describe what Communion symbols mean, how Jesus suffered for us, and His resurrection.

Unit 3: The Ten Commandments

Kids will be challenged to name and number the Ten Commandments, then share how they teach us to relate to God and others.

Sunday School

Classes

Sunday Mornings

9:15 AM - 10:15 AM

Children / Youth (5th to 8th Grades)

Pre-Teen (5th to 6th Grades)

Unit 1: Paul's Epistles

Students will be challenged to explain God's plan for salvation, the Church as a body, and our hope through this study of Paul's letters.

Unit 2: The Gospels and Acts

Lessons focus on how and why each Gospel writer presents a unique view of Jesus. The gospel continued to be spread in the Book of Acts.

Unit 3: General Epistles

Students will discover reality in faith and how to respond to problems. They will also learn how to discern false teachings.

Young Teen (7th to 8th Grades)

Unit 1: Unsung Heroes

Teens will learn God's criteria for greatness. They will study some of the Bible's unsung heroes.

Unit 2: Miracles of Christ

Students will explore Jesus' life and miracles, discovering the promise that miracles will continue to happen in believers' lives.

Unit 3: Countering the Culture

Just as the Israelites needed to resist the cultural influences around them in Canaan, teens must learn to follow God rather than the crowd.

Sunday Mornings
9:15 AM - 10:15 AM

Sunday School Classes

Youth (9th to 12th Grades)

High School (9th to 12th Grades)

Unit 1: The Bible and Science

Students will explore ethical challenges that modern attitudes and technologies have created.

Unit 2: How to Go Deeper with God

By examining Jesus' relationship with some of His earthly friends, students will find out how to deepen their relationship with God.

Unit 3: Media Alert

Recognize and respond to tactics used by the advertising and entertainment industries and be reminded of God's message.



Sunday School

Classes

Sunday Mornings
9:15 AM - 10:15 AM

Adult (Room 201 & 202)

Class: Building a Synthesized Gospel

Location: Room 201

Teacher(s): Charlie Williamson

Open to: All

Class Goal/Vision:

Have you ever wondered what pictures Jesus' life and words would paint if all four books of the Gospels were combined into one? Join a team of believers as we take a structured, analytical approach to combining the Gospels into a single narrative without losing a single word while respecting God's reasons for giving us four books.

Class: New Life Class

Location: Room 202

Teacher(s): Harry Tarut

Open to: Adults, Ages 55+

Class Goal/Vision:

Unit 1: Hope in the Book of Isaiah

These studies from the Book of Isaiah focus on the prophecies Isaiah made that reveal God at work among His people and in the world to redeem people.

Unit 2: Principles for Christian Living (1, 2, 3 John)

The letters of 1, 2, and 3 John address issues relevant to today's church, such as the nature of Jesus Christ, what it means to live a godly lifestyle, and threats to the well-being of believers.

Sunday School Classes

Sunday Mornings
9:15 AM - 10:15 AM

Adult-Spanish (Room 203)

Class: Praise and Worship/Alabanza y Adoración

Location: Room 203

Teacher(s): Esther Trujillo / Stella Lowery

Open to: All Spanish Speaking Members

Clase objetivo / Vision:

"But the hour cometh and now is, when the true worshippers shall worship the Father in spirit and in truth: for the Father seeketh such to worship Him. God is a Spirit: and they that worship Him must worship Him in spirit and in truth." John 4:23-24

In this study you will discover the biblical foundations of Praise and Worship and you will learn to worship God as Our Father seeks for us to worship Him! You can find the following topics and more:

- * Meaning of Praise and Worship
- * How to express Praise and Worship
- * Why to Worship the Lord
- * How to become a Worshipper
- * How to reach deeper into the presences of God by Praise and Worship
- * Importance of Worship in communion with God
- * The effects caused by Worship and Praise in the life of the believer.

"Mas la hora viene, y ahora es, cuando los verdaderos adoradores adorarán al Padre en espíritu y en verdad; porque también el Padre tales adoradores busca que le adoren. Dios es Espíritu; y los que le adoran, en espíritu y en verdad es necesario que adoren". Juan 4:23-24

En este estudio descubrirás las bases bíblicas de la Alabanza y la Adoración para poder adorar a Dios como Él está buscando que lo hagan. Podrás encontrar los siguientes temas y muchos más:

- * Significados de Alabanza y Adoración
- * Cómo manifestar la Alabanza y la Adoración
- * Por qué Adorar al Señor
- * Cómo convertirme en un Adorador
- * El alcance de la presencia de Dios en la Alabanza y Adoración
- * Importancia de Adorar en comunión
- * El efecto que tiene la Adoración en el interior del creyente

Sunday School Classes

Sunday Mornings
9:15 AM - 10:15 AM

Adult (Rooms 204 & 206)

Class: **Having More Power in your Life**

Location: Room 204

Teacher(s): Rosa Munevar

Open to: All

Class Goal / Vision:

This teaching is designed to assist you in getting to know and understand what it is to be Obedient. We must choose to obey God in faith. Every time we trust God's wisdom and do whatever He says to do, even when we don't understand it, we deepen our relationship with God. Obedience is the key to more power in your life. Come join us and let us explore and overcome the stumbling blocks to releasing God's power within us.

Class: **The Holy Spirit Unleashed in You**

Location: Room 206

Teacher(s): Eileen Steele / Stacy Swanson

Open to: All

Class Goal / Vision:

This class focuses on equipping the saints to discover and unleash the power of the Holy Spirit who dwells within each believer. The class is an inductive Bible study designed for us to learn about the Holy Spirit and our relationship to Him, to stir up our gifts and teach us how to walk in the power and anointing of the Holy Spirit with boldness.

Sunday Mornings
10:30 AM - 12:00 PM

Sunday
Services

All Ages (Sanctuary, Common Grounds, & Reeves Hall)

Sunday Morning Worship

Everyone

Join us on Sunday mornings at 10:30 AM in the Sanctuary for a time of worship, preaching and fellowship. The service is open to everyone. On the first Sunday of each month we celebrate Communion. Come and experience God's presence and family atmosphere at First Assembly.

JV_OneLife Service

Youth (Grades 6th to 8th)

JV_OneLife Service: Students in 6th to 8th grade meet in the Sanctuary for worship and are then released to attend the JV_OneLife Service in the Common Grounds Café. Messages and topics are geared toward addressing the unique needs of pre-teen and younger teen students in Middle School and Junior High.

Masterpiece Kid's Church

Children (Grades 1st to 5th)

Masterpiece Kid's Church: Children in 1st to 5th grades have their own worship service in Reeves Hall from 10:30 a.m.-12:15 p.m. In a high-energy and age-appropriate service, children learn Biblical truths that can be applied to young lives through puppets, drama, videos, games, crafts and the teaching of God's Word.

Family Night

Services

Wednesday Evenings

7:00 PM - 8:30 PM

All Ages (Common Grounds, Reeves Hall & LOL Wing,

Class: A Study / Overview of the Book of Psalms

Location: Common Grounds Café

Teacher(s): Ayodele & Nsama Okeowo

Open to: All Adults

Class Goal / Vision:

Come each week to receive edification and encouragement as we explore and study from the Word of God, the Book of Psalms and how it relates to everyone's daily walk and the Body of Christ as a whole.

OneLife Student Ministries Students (7th to 12th Grade)

OneLife is geared towards teens in High-School to encourage them to meet and connect with God among their peers. Services include worship, sermon and Life Groups, which are grade specific groups designed to help teens engage the Word and gain a deeper understanding of it. OneLife meets in Reeves Hall.

Live Out Loud (LOL) Children (3 years to 6th grade)

Our purpose is to evangelize, disciple, teach, train, & provide opportunities for children to serve God now. You do not have to attend First Assembly to join this fun and exciting program.

LOL is proud to announce our new curriculum -- The Gospel Project, a three year, Christ-centered Bible study resource that follows a chronological timeline of Bible events to present the story of redemption through Jesus like kids have never seen it before! Each week, these stories are coming to life through video, music, activities, and more.

Small Groups



WHY join a small group? Small Groups exist to inspire growth to maturity in Jesus Christ.
Hebrews 10:24-25

WHAT happens at Small Group meetings? Groups spend time building relationships while they study God's Word together.
Acts 2:42-47

HOW is Small Group ministry different from other Bible Studies? Along with studying God's Word, Small Group members commit to care for and support each other.
Galatians 6:2; 1Thessalonians 5:11

WHEN & WHERE can I get connected to a Small Group? Call the Church Office for information, (703)548-0339, or visit our website: 1stassembly.org.



Small Groups

Group: **Mighty Men's Small Group - Woodbridge**

Dates/Times: Twice a month on Mondays @ 7:00 PM

Location: Home of Andrew & Suzette Prasatek

POC(s): Julian Bermudez, jbermudez@comcast.net
Andrew Prasatek, highlandtrout00@yahoo.com

Topic: Becoming a Contagious Christian (Video Series)

Group: **Mighty Men's Small Group - Kingstowne**

Dates/Times: 1st & 3rd Mondays @ 7:00 PM

Location: Home of Ted Sloper

POC(s): Ted Sloper, tedgrams@verizon.net

Topic: The Book of Proverbs

Group: **Mighty Men's Small Group - Alexandria**

Dates/Times: Twice a month on Thursdays @ 7:00 PM

Location: Home of Harold & Margaret McDonald

POC(s): Harold McDonald, haroldmcdonald@verizon.net

Topic: Trusting God, Even When Life Hurts by Jerry Bridges

Group: **GROW - God Renewing Our Women - Alexandria**

Dates/Times: Every Thursday @ 7:00 PM

Location: First Assembly of God, Room 202

POC(s): Becky Mitchell, Becky@1stassembly.org
Stacy Swanson, stacyluvsjesus@hotmail.com

Topic: Christian Atheist by Craig Groeschel

Group: **GROW - God Renewing Our Women - Woodbridge**

Dates/Times: 1st & 3rd Tuesdays @ 7:00 PM

Location: Home of Andrew & Suzette Prasatek

POC(s): Suzette Prasatek, Suzette@1stassembly.org

Topic: Jesus, Sweetest Name I Know from the Sweeter than
Chocolate series, Precept Ministries

Monday, Wednesdays
& Fridays

Small Groups

Locations Vary

Group: **Singles' Bible Cell Group**

Dates/Times: Every Monday @ 7:30 PM | Dinner @ 6:30 PM

Location: Home of Dottie Glading in Fairfax

POC(s): Rosemary DeLeon, singlesministry@1stassembly.org

Topic: Varies

Group: **Marriage Small Group - Alexandria**

Dates/Times: Every other Monday @ 7:00 PM

Location: Home of Jared & Cassie Edgreen

POC(s): Jared & Cassie Edgreen, Edgreenc@gmail

Topic: The Marriage You've Always Wanted by Gary Chapman

Group: **Marriage Small Group - Alexandria**

Dates/Times: 1st or 2nd Friday @ 7:00 PM, Dinner @ 6:00 PM

Location: Home of Pastor Chris & Megan Cregger

POC(s): Pastor Chris & Megan Cregger,
pastorchris@1stassembly.org

Topic: Her Needs, His Needs by William F. Harley (Video Series)

Group: **Marriage Small Group - Rose Hill**

Dates/Times: 1st Friday @ 7:00 PM

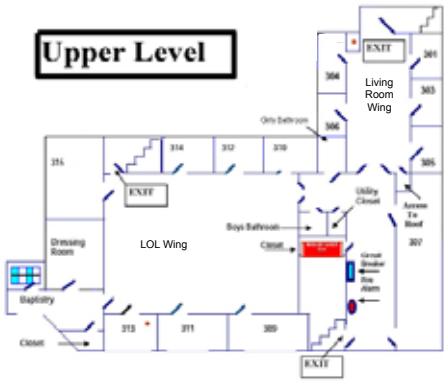
Location: Home of Gerardo & Rosa Munevar

POC(s): Gerardo & Rosa Munevar, muvenar88@gmail.com

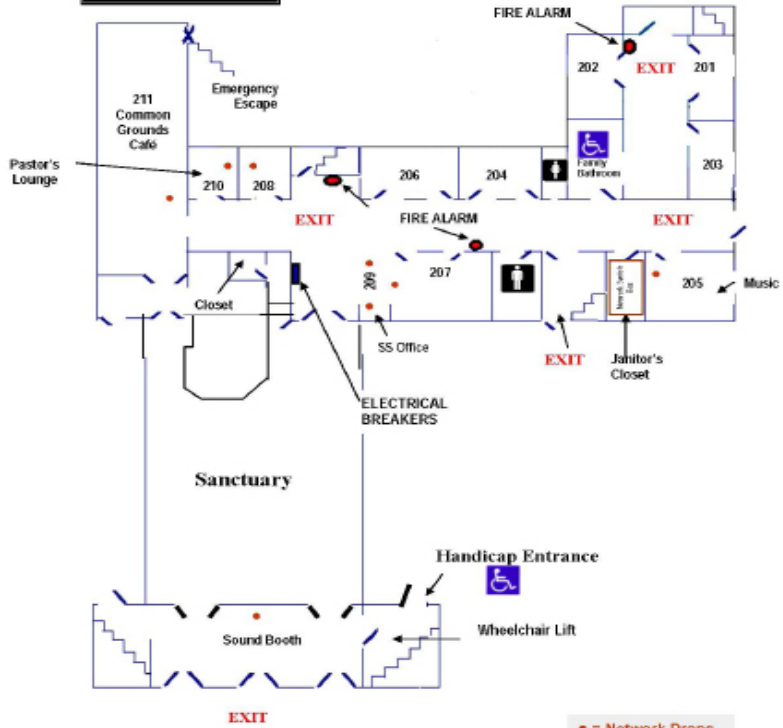
Topic: Love and Respect by Emerson Eggerichs

Floor Plans

Upper Level



Main Level





FIRST ASSEMBLY

A L E X A N D R I A

**700 West Braddock Road
Alexandria, VA 22302
703-548-0339 • (Fax) 703-836-5316
www.1stassembly.org**

