

REV	DATE	REVISION RECORD	DWN	AUTH
-	09-21-95	Draft	BH	
A	10-03-96	Packaging	BH	
B	04-29-98	Aging	KW	GP
C	10-25-99	Temperature Stability	BH	
D	08-30-00	Revise Drawing	KP	KW

**OUTPUT**

**Frequency**

100 MHz

**Level**

+13 dBm ±2 dB into 50 ohms

**STABILITY**

**Aging**

1 x 10<sup>-6</sup> per year  
after 30 days operating, typical

**Phase Noise L(f)**

100 Hz -130 dBc/Hz  
1 kHz -155 dBc/Hz  
10 kHz -165 dBc/Hz  
20 kHz -167 dBc/Hz

**Temperature Stability**

±1 x 10<sup>-7</sup>, 0° to +50°C (Ref +25°C)

**MECHANICAL**

**Dimensions**

2 x 2 x 0.75"

**Connectors**

SMA and feedthru capacitor

**Packaging**

Sealed steel can

**POWER REQUIREMENTS**

**Warm-Up Power**

<5 Watts for 5 minutes

**Total Power**

<2.7 Watts at +25°C

**Supply Voltage**

+15 VDC

**ADJUSTMENT**

**Mechanical Tuning**

±4 x 10<sup>-6</sup>

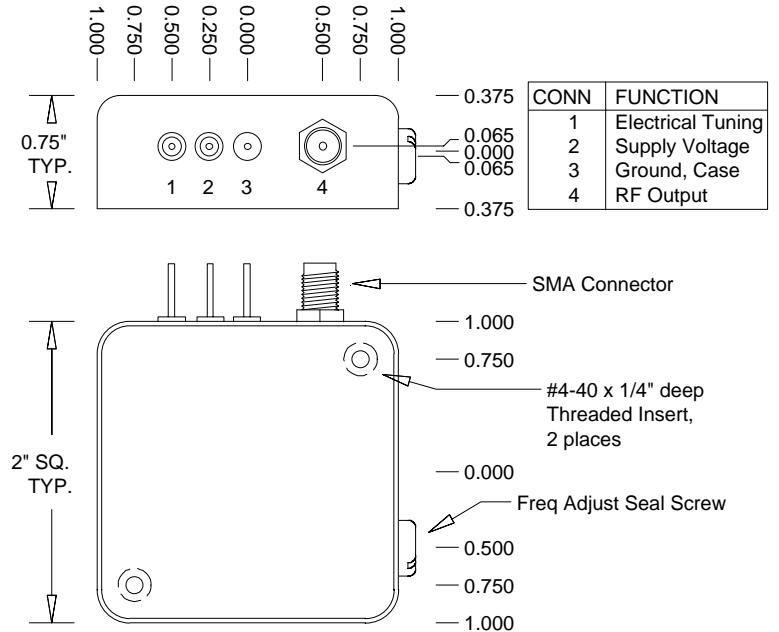
**Electrical Tuning**

±5 x 10<sup>-7</sup>, ±5 VDC  
Negative slope

**CRYSTAL**

**Type**

100 MHz SC-cut



Connector numbers are for reference only, they are not marked on unit.



**Wenzel Associates, Inc.**

Austin, Texas

Title:

**Premium 100 MHz-SC Sprinter Crystal Oscillator**

P/N: <b>501-04517</b>	Rev: <b>D</b>	Date: <b>08-30-00</b>	Drawn:	Ref:
--------------------------	------------------	--------------------------	--------	------

Tolerances: (except as noted) Dimensions are in inches	0.XX Dec: <b>±0.030"</b>	0.XXX Dec: <b>±0.010"</b>	FSCM: <b>62821</b>	Page 1 of 1
--	-----------------------------	------------------------------	-----------------------	-------------