

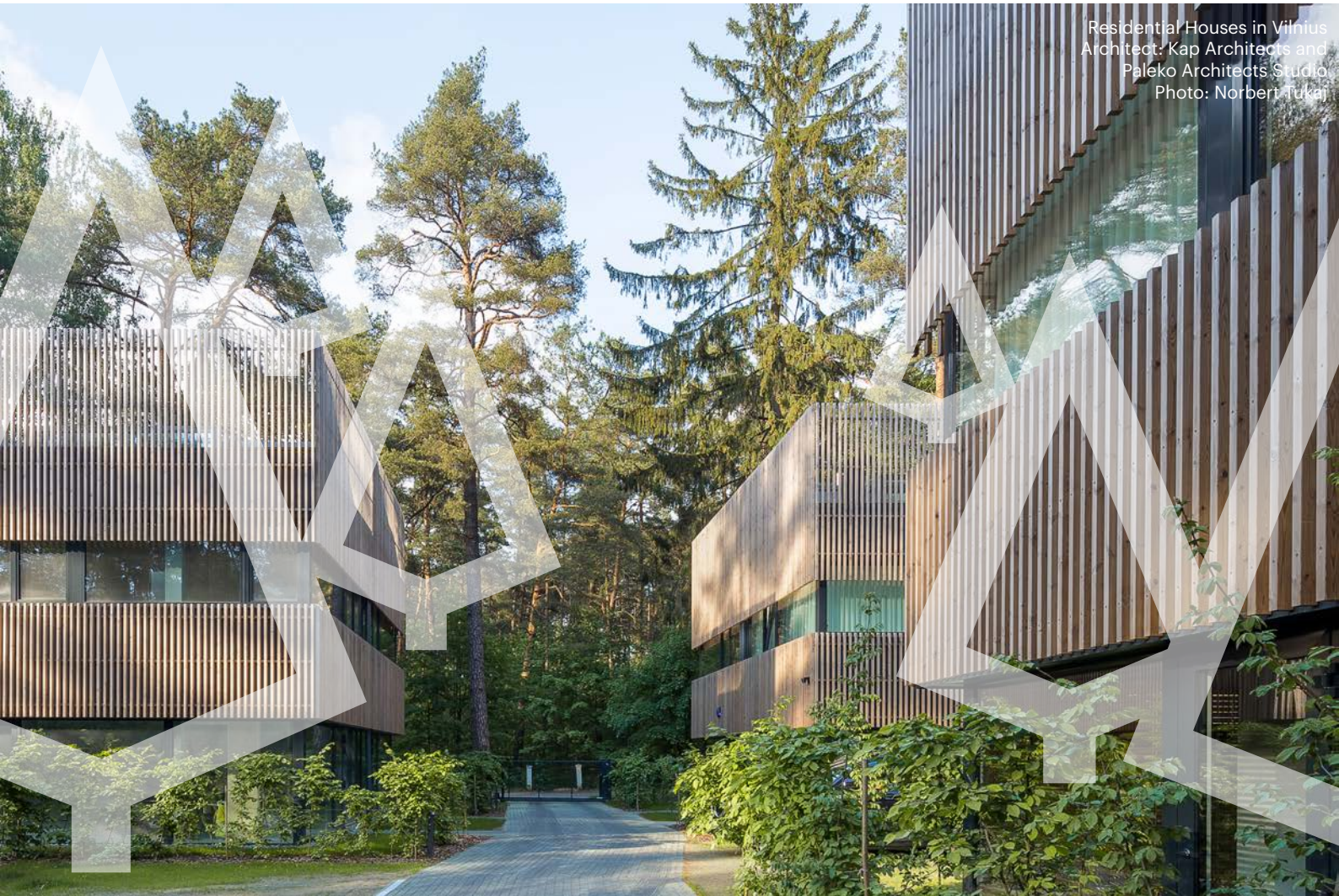


LUNAWOOD

LUNA SHP

42x42, 42x68, 42x92,
42x117, 42x140, 40x185

INSTALLATION GUIDE



Residential Houses in Vilnius
Architect: Kap Architects and
Paleko Architects Studio
Photo: Norbert Tukaj

LUNAWOOD.COM

LUNA SHP

Guideline for Luna SHP installation

Luna SHP installation in indoor and outdoor use with various dimensions.



dimensions (mm)	42x42
class	LunaThermo-D
species	Nordic spruce
length (m)	3,0 / 3,6-4,8
joist spacing (mm)	600



dimensions (mm)	42x68
class	LunaThermo-D
species	Nordic spruce
length (m)	3,0 / 3,6-4,2
joist spacing (mm)	600



dimensions (mm)	42x92
class	LunaThermo-D
species	Nordic spruce
length (m)	3,0 / 3,6-5,4
joist spacing (mm)	600



dimensions (mm)	42x117
class	LunaThermo-D
species	Nordic spruce
length (m)	3,0 / 3,6-4,8
joist spacing (mm)	600



dimensions (mm)	42x140
class	LunaThermo-D
species	Nordic spruce
length (m)	3,6-5,4
joist spacing (mm)	600



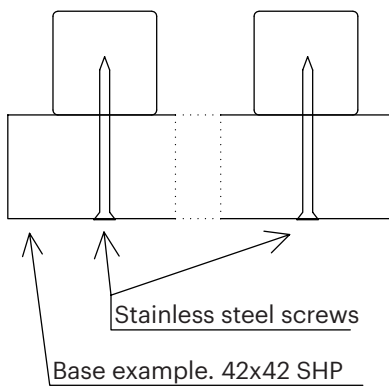
dimensions (mm)	40x185
class	LunaThermo-D
species	Nordic spruce
length (m)	3,0 / 3,6-5,4
joist spacing (mm)	600

LUNA SHP

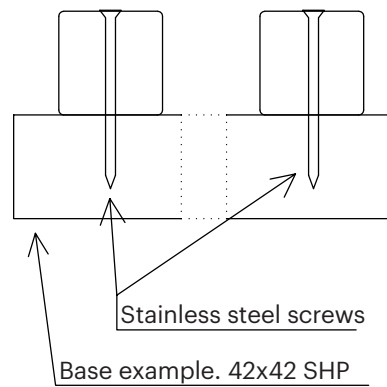
Guideline for Luna SHP installation

Luna SHP installation in indoor and outdoor use with various dimensions.

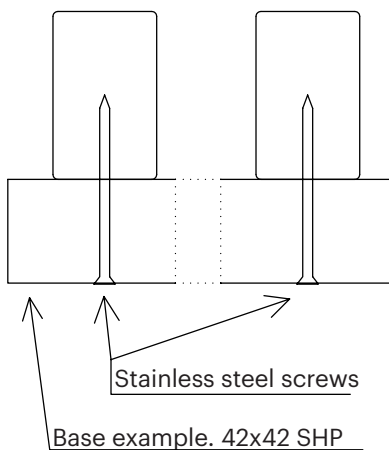
42x42 hidden installation



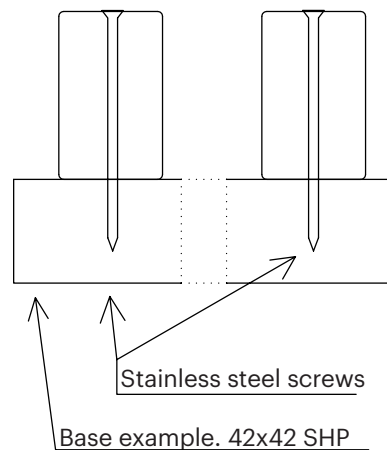
42x42 visible installation



42x68 hidden installation



42x68 visible installation

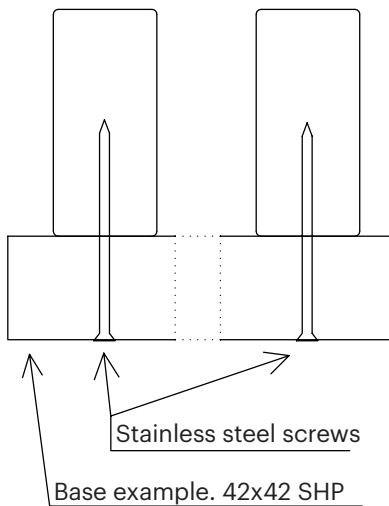


LUNA SHP

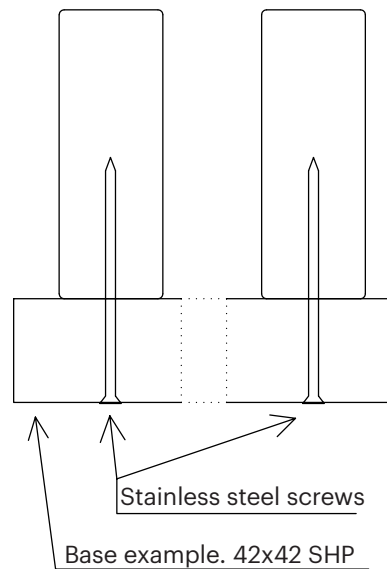
Guideline for Luna SHP installation

Luna SHP installation in indoor and outdoor use with various dimensions.

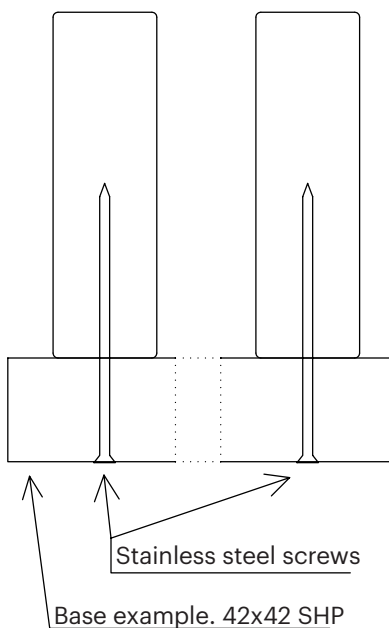
42x92 hidden installation



42x117 hidden installation



42x140 hidden installation



40x185 hidden installation

