

TF-1218 Series



LED Steplight

Type:

Catalog Number:

Project/Location:

Approved By:

SPECIFICATIONS

Housing: Heavy-duty construction of corrosion resistant die cast aluminum. Faceplate shall be secured using stainless steel hardware. Housing provided with 1/2" conduit opening. Suitable for concrete pour.

Gasket: Closed cell silicone foam gasket. Seals out moisture, dust, and insects for weather-tight operation.

Mounting: Recessed wall.

Lens: 1/8" thick, diffused glass lens or UV stabilized polycarbonate lens.

Driver: Solid state electronic constant current. Input voltage 120 or 277V under 6 LED. UNV voltage over 6 LED. Operating temperature -20°C to 40°C, Power Factor ≥ .90.

LED: Specify amber (A), blue (B), green (G), red (R), or 3000 (30K), 3500 (35K), 4000 (40K), and 5000K (50K). 40K Standard.

Lumens: 369 Amber.

Finish/Colors: Zinc based primer with polyester powder coat finish in Matte Black (MB), Matte White (MW), Matte Bronze (BZ), Silver Gray (SG), or a custom color (CC).

Testing: LM79, LM80, ETL.

Conforms to UL Standard 1598. Suitable for wet locations.

Options:

FLA Harsh environment finish

TF Turtle Friendly 590 nm Amber LED

See options page for additional information or consult factory.



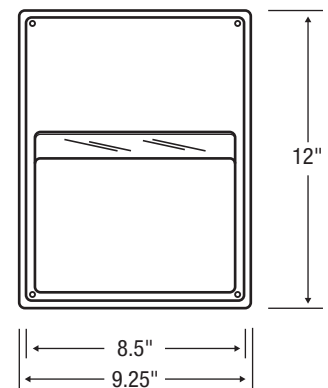
Series	Source	Wattage/Max
TF-1218	LED	25W

ORDERING EXAMPLE

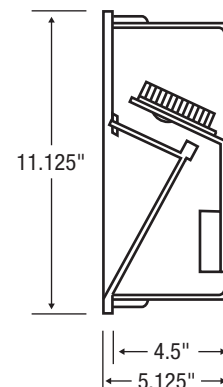
TF-1218 – 25WLED – A – UNV – BZ



FRONT



SIDE



ELCAST LIGHTING

815 S. Kay Ave., Addison, IL 60101 USA • 630.543.5390
www.ElcastLtg.com • ElcastLtg@ElcastLtg.com

Made in USA – 5 year limited warranty

©2017. Specifications are subject to change without notice. Consult factory for verification.