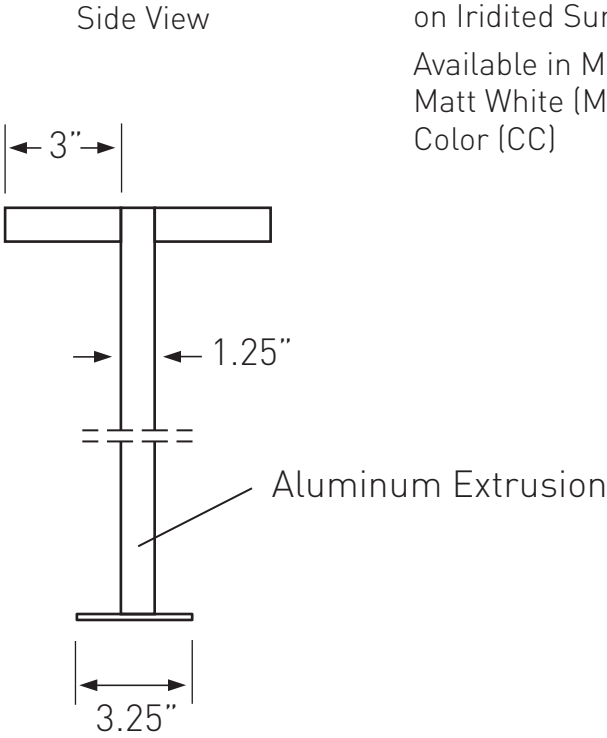
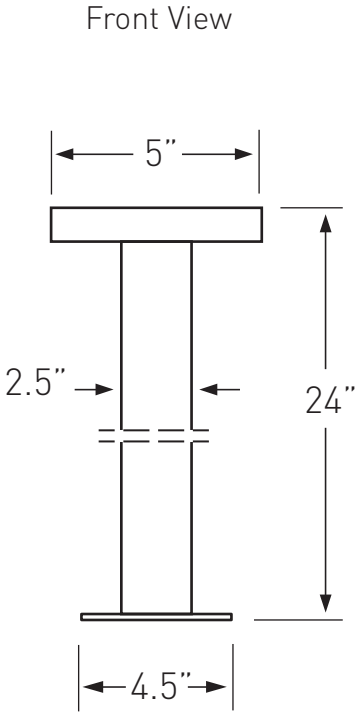


Solid State Electronic Driver 120/277 V

Polyester Powder Coat Over Zinc Based Primer on Iridited Surface.

Available in Matt Black (MB), Matt Bronze (BZ), Matt White (MW), Silver Gray (SG), or Custom Color (CC)



Suitable for Wet Location
Conforms to UL Standard 1598

No Scale Drawing

ELCAST LIGHTING

SERIES BR24R2 FWC AMBER
110-277V, 2x6W, DOUBLE

815 S. Kay Ave., Addison, IL 60101
630.543.5390 • FAX: 630.543.5392
www.ElcastLtg.com • ElcastLtg@ElcastLtg.com

Made in USA

08-06-2017