

ST-V Series

LED SOLID STATE ARCHITECTURAL CUT-OFF AREA FIXTURE

Type:

Catalog Number:

Project/Location:

Approved By:

SPECIFICATION FEATURES

Housing: Die cast aluminum, corrosion resistant heat sink housing is major part of heat management. Adjustable slip fitter make directing light an easy task. Housing IP-65.

Separation of the driver compartment from LED modules has positive effect on the driver temperature and fixture longevity.

Mounting: Adjustable slip fitter with flat mounting plates can be easily mounted to the wall in up or down position. Arm mount is 2-3/8" DIA

Light Source: Electronic driver accepts 120-277VAC input. For 340VAC or 480 VAC, call Elcast.

Color: 3000K, 4000K, 6000K. (6000K Standard.)

Constant current and Universal input voltage 120-277V, 50-60Hz line voltage frequency. Operating temperature -20°C to 40°C, Power Factor ≥ .90.

Lumen/Watt: 110-130
240W-338 LED's
300W-448 LED's

EPA: 1.34-240W
1.43-300W

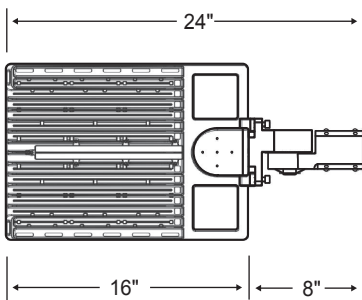
240 WATT



300 WATT

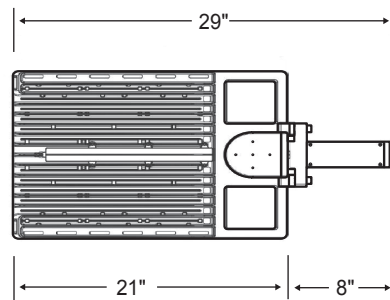


240 WATT

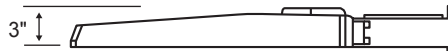


Adjustable Slip Fitter

300 WATT



Straight Arm



OPTIONS:					
Watts	Volts	Color	Distribution	ARM	Finish
240W 300W	110-277	6000K - Standard 4000K 3000K	UP - Uplight DN - Downlight FT - Forward Throw WT - Wide Throw	SL - Adjustable slip fitter SA - Straight Arm WM - Wall Mount	MB - Matt Bronze Standard CC - Custom Color

ELCAST LIGHTING

815 S. Kay Ave., Addison, IL 60101 USA • 630.543.5390
www.ElcastLtg.com • ElcastLtg@ElcastLtg.com

©2017. Specifications are subject to change without notice. Consult factory for verification.

REV. 05-18