



ERTELALSOP

THE FIRST NAME IN LIQUID FILTRATION

MICROCAP™ LABORATORY CABINET CONTAINING MICROCAP™ SINGLE-USE DEPTH FILTER CAPSULES

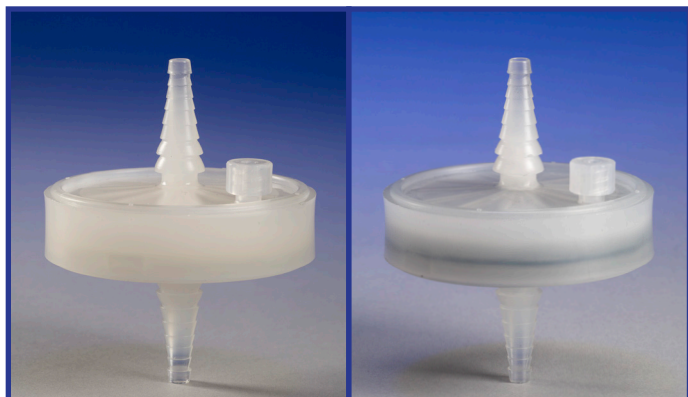
For over 80 years, ErtelAlsop has been a leader in developing, and manufacturing cellulose filter media for the Life Science industry. With single-use technology on the rise, our new MicroCap Laboratory Cabinet has been created to simplify filtration and separation trials for research and development, as well as, process development laboratories. This attractive and well organized Cabinet easily stores the filters you require.

The MicroCap™ suite of single-use capsules provide a uniquely flexible line of disposable depth filter products designed for optimizing and developing processes during scale-up and scale-down studies. The MicroCap MC1 capsule enables quick and efficient determination of appropriate media grades in providing the best filtration performance as well as required filtration area to meet process volumes.

There are five cabinet options to choose from each containing MicroCap MC1 capsules with 23 cm² of effective filtration area. Whether you needs are clarification, cell harvest or color removal there is a cabinet designed to meet your needs. The easy to use capsules allow users to test a comprehensive range of depth filter media and efficiently determine the right solution for their process needs.



MicroCap™ Single-Use Capsules



MicroCap MC1
MicroMedia: XL Series (left), MicroClear™ (right)

APPLICATIONS

MicroCap capsules are designed for small volume processing of:

- Primary separations/pretreatment
- Secondary clarification
- Cell culture harvest
- Cell culture clarification
- DNA removal
- Endotoxin reduction
- Host Cell Protein (HCP) reduction
- Protein aggregate removal
- Decolorization

PERFORMANCE

Containing either ErtelAlsop's high performance XL Series, select grades of MicroMedia, or carbon impregnated MicroClear media, the MicroCap MC1 capsules provide the optimum balance of contaminant removal and throughput. Now offered in enabling capsules and cabinets brings the performance of ErtelAlsop filter media within reach.

RELIABILITY

As with all ErtelAlsop depth filter products the MicroCap capsules provide performance consistency and lot to lot traceability all in an easy-to-use format. All MicroCap capsules are batch tested in order to meet all quality requirements and meet all applicable USP requirements including the Class VI Plastics.

SCALABILITY

The MicroCap series of single-use capsules contain six easily scalable sizes of capsules. Additionally each of these capsules readily scale to ErtelAlsop's 12" and 16" diameter lenticular depth filter modules.

SINGLE-USE CAPSULES

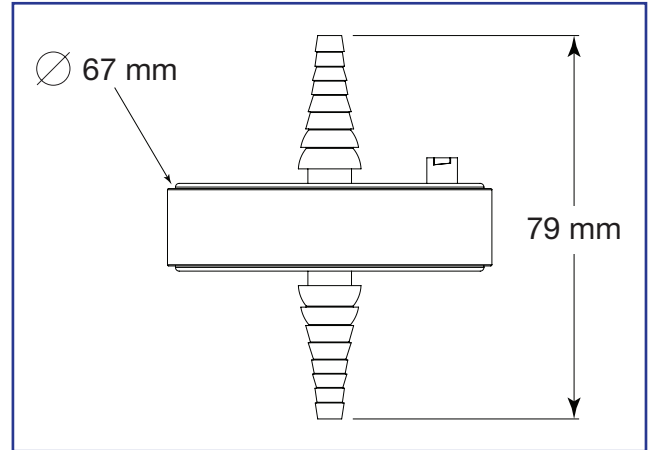
CABINET TECHNICAL SPECIFICATIONS

Part Number	Media Types Included	Number of Capsules	Material of Construction	Dimensions
MCSL01	MicroMedia, MicroMedia: XL Series	48	Polypropylene	10.2”w x 14.5”d x 12.8”h
MCSL02	MicroClear	15	Polypropylene	10.2”w x 14.5”d x 4.5”h
MCSL03	MicroMedia, MicroMedia: XL Series, MicroClear	63	Polypropylene	10.2”w x 14.5”d x 16.8”h
MCDL01	MicroMedia: DXL Series	48	Polypropylene	10.2”w x 14.5”d x 12.8”h
MCCC01	Customizable up to 6 media grades	48	Polypropylene	10.2”w x 14.5”d x 12.8”h

MC1 TECHNICAL SPECIFICATIONS

Material of Construction	Capsule	Polypropylene
	Filter Media	Cellulose, Diatomaceous Earth, Activated Carbon*, Resin
Filtration Area	MicroCap MC1	23 cm ² (3.48 in ²)
Maximum Pressure	Operating	2.5 bar (35 psig)
	Differential	2 bar (30 psid)
Sterilization		1 cycle @ 121°C for 30 min
Inlet & Outlet		Leur Lock, Stepped Hose Barb
Vent		Leur Lock

* Activated Carbon with MicroClear Capsules Only



MC1 ORDERING INFORMATION

**MICROCAP MC1
REORDERING**

For MicroCap media grades please use the chart below.

Media Grade M-053P (Example)	Size 01 = 23 cm ² Filtration Area	Vent 0 = Leur Lock
M053P	CAP	01
MicroCap Filter Type CAP = Capsule	Inlet & Outlet Fittings H = Hose Barb	H
		0

DEPTH FILTER MEDIA

Media Series	Media Grades	Nominal Micron Rating	Format	Filter Properties/Material
MicroMedia	M954P	0.25 – 1.0	Single Layer	Cellulose with Filter Aid
	M854P	0.3 – 1.25		
	M704P	0.45 – 1.5		
MicroMedia: XL Series	M953P	0.25 – 1.0	Single Layer	Cellulose with High Purity Filter Aid
	M853P	0.3 – 1.25		
	M703P	0.45 – 1.5		
	M503TP	0.8 – 2.75		
	M503P	1.0 – 3.0		
	M453P	2.5 – 6.0		
	M403P	5.0 – 12.0		
	M103P	10.0 – 17.0		
DXL	M053P	15.0 – 20.0	Double Layer	Cellulose with High Purity Filter Aid
	B9E9	0.25 – 1.0		
	B6E9	0.25 – 2.75		
	B5E8	0.3 – 3.0		
	B4E7	0.45 – 6.0		
	B2E6	0.8 – 17.0		
MicroClear	B1E5	1.0 – 20.0	Single Layer	Cellulose with Activated Carbon
	MC55P	Steam Activated		
	MC55CP	Chemical Activated		
	MC55GP	Steam Activated		