

THRUPUT

4K x 2K Extender GF KVMX 4K x 2K

Robust extender technology for a complete working position, with true lossless, 60 Hz video at full 3840 x 2160 resolution, USB and digital audio connectivity.

- *Up to 100m range.*
- *True lossless video transmission.*
- *Up to 3840 x 2160 resolution @ 60 Hz.*
- *USB mouse & keyboard.*
- *Audio via DP.*
- *Ultra-low heat and power.*



The 3840 x 2160 60 Hz video is sent via Hybrid fibre cable (up to 200m)



The USB data is sent via CAT 5/6 cable.

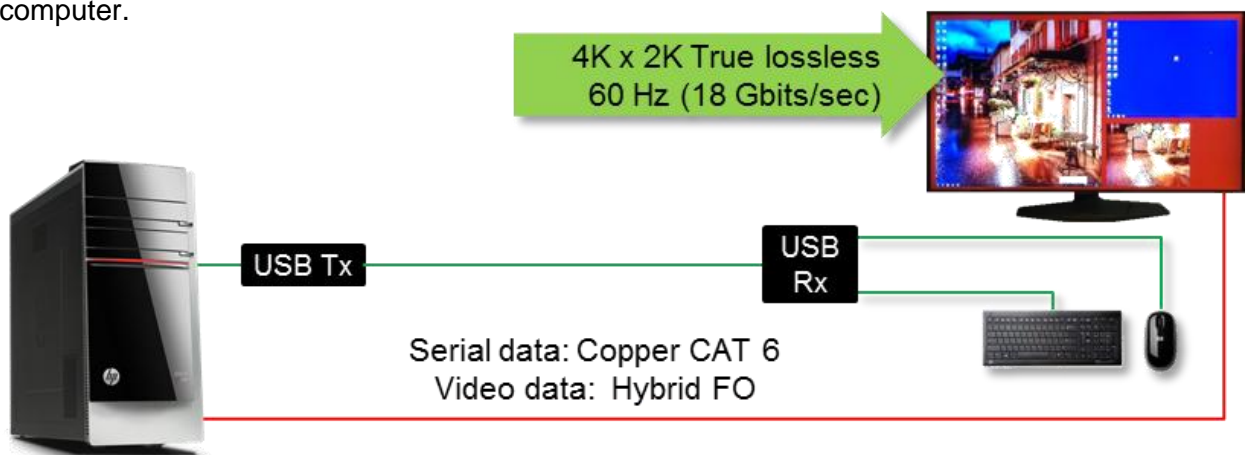
Perfect Digital Video

The Sentinel KVMX uses lossless encoding technology to deliver the very best picture available. The encoding system is:

- Spatially-perfect, with exact 1:1 pixel mapping,
- Digital video is rendered exactly the same as video sent from the remote computer.

USB

Sentinel KVMX enables connection with most USB devices from mice and keyboards through to tracker balls, joysticks and USB flash drives.



THRUPUT

4K x 2K Extender GF KVMX 4K x 2K

Green solution

The Sentinel KVMX does not use any hazardous materials, and is fully RoHS compliant, with ultra-low power consumption.

Life cycle benefits

Greatly reducing the complexity at the working position, an extended single monitor with optimum human factors will be:

- Cheaper to install.
- Cheaper to run than several smaller monitors..
- Produces less heat in the operations room.
- Less tiring for the user, with potential improvements to staff health and well-being, that may also reduce fatigue related errors.

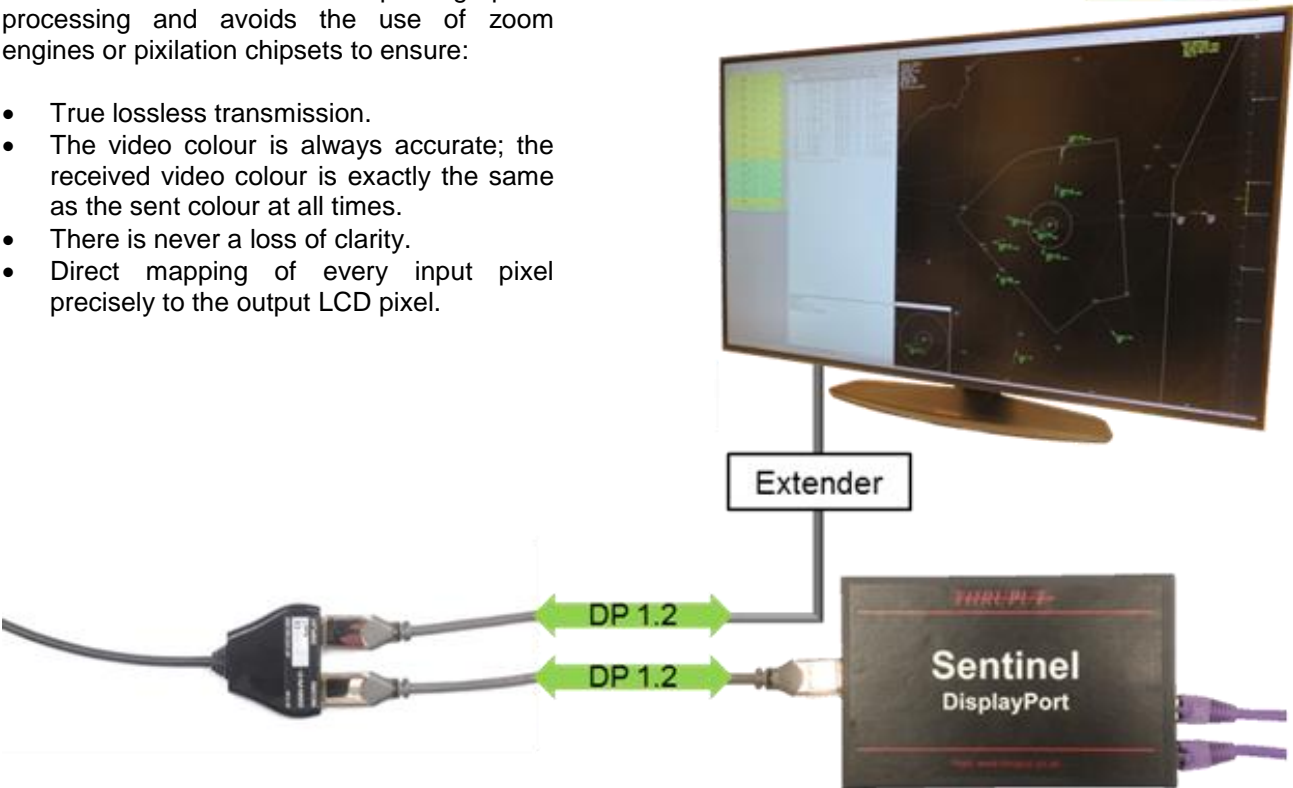
Safety

Sentinel KVMX features true-pixel graphics processing and avoids the use of zoom engines or pixilation chipsets to ensure:

- True lossless transmission.
- The video colour is always accurate; the received video colour is exactly the same as the sent colour at all times.
- There is never a loss of clarity.
- Direct mapping of every input pixel precisely to the output LCD pixel.

Specification

Video	Up to 3840 x 2160 @ 60 Hz True lossless
Data entry	USB
Digital audio	Integral with DP data stream
Range	200m Hybrid Fibre (point to point) 200 m Copper (CAT 6 point to point)
Power	self
Noise	Silent operation
Compliance	CE, FCC and ROHS class B



Thruput Limited operates a policy of continuous improvement and information in this document is subject to change without notice.