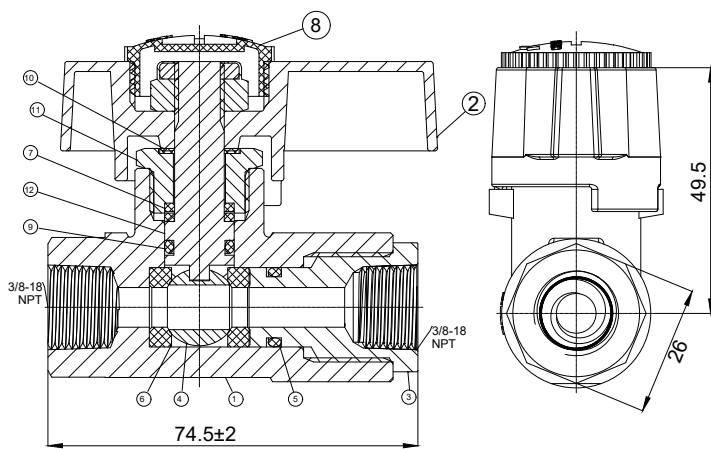


# PW5000 Series

## Pressure Wash Valves

### SPECIFICATIONS

- 5500 PSI max pressure
- Wedge handle for easy operation
- Quick water shut off for easy changing of pressure wash guns
- 12 GPM rated
- 3/8" NPT threads
- 304 stainless steel body, ball and stem
- 212°F max temperature
- Threaded and slotted cap for easy removal



Dimensions in MM

NUMBER	PARTS	MATERIAL
1	BODY	SS304
2	HANDLE	SS304
3	CAP	SS304
4	BALL	SS304
5	O-RING	FKM
6	SEAT	PEEK
7	THRUST WASHER	RPTFE
8	COVER	BLACK PLASTIC
9	O-RING	FKM
10	GASKET	RPTFE
11	GLAND	SS304
12	STEM	SS304

PART NUMBER	SIZE	THREAD	WEIGHT
PW5000	3/8"	3/8" NPT	.98 lbs

# PW5000-ST Series

## Pressure Wash Valves

### SPECIFICATIONS

- 3500 PSI rated\*
- Wedge handle for easy operation
- Quick water shut off for easy changing of pressure wash guns
- Stainless couplings pre-assembled
- 212°F max temperature



### PW5000-ST SERIES

PART NUMBER	SIZE	END CONNECTION	PSI	BAR	A	B
PW5000-ST	3/8"	3/8" Stainless Coupler and Plug	3500	240	5.83	2.98

\*Reduced rating due to quick coupling rated pressure.

\*Ball valve without couplings is rated at 5,000 PSI.

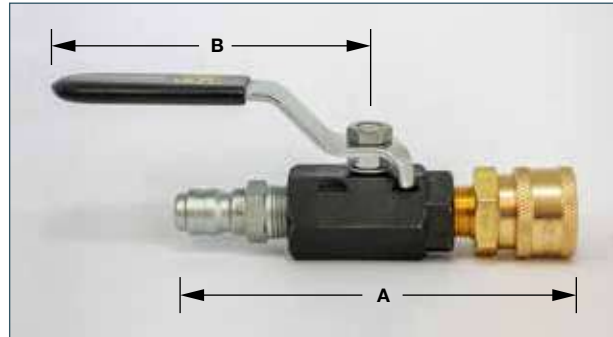
# MPV-ST Series – Pressure Wash Valves

### SPECIFICATIONS

- 3,000 PSI rated
- Carbon/Graphite filled PTFE seats and seals
- Stainless steel ball
- Full port
- Couplings pre-assembled

### TEMP. RATING

- -20°F to 425°F



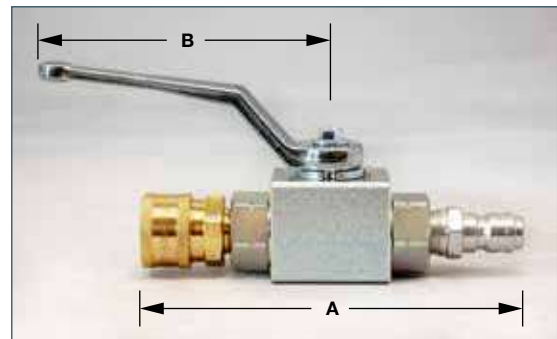
### MPV-ST SERIES

SIZE	PART NUMBER	END CONNECTION	PSI	BAR	A	B
3/8"	MPV-38-NPT-ST	3/8" Brass Coupler x 3/8" Steel Plug	3000	205	4.83	3.78

# BKH-ST Series – Pressure Wash Valves

### SPECIFICATIONS

- 3500 PSI rated\*
- Couplings pre-assembled
- Brass coupler/steel plug
- Delrin ball seats
- Buna-N O-Rings
- Temp range -20°F to 215°F
- Nickel plated ball
- Various handle choices



### BKH-ST SERIES

SIZE	END CONNECTION	PSI	BAR	A	B
3/8"	3/8" Brass Coupler x 3/8" Steel Plug	4000	275	5.84	4.21

\*Reduced rating due to quick coupling rated pressure.

\*Ball valve without end connections is rated at 7,350 PSI.