

MPV Series

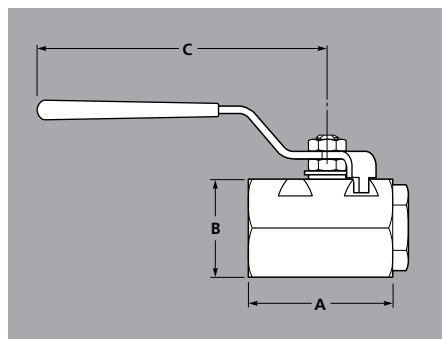
Medium Pressure Ball Valves

SPECIFICATIONS

- Steel body from barstock
- Carbon/Graphite filled PTFE seats and seals
- Full port

TEMP. RATING

- -20°F to 425°F



MPV SERIES

WORKING PRESSURE DIMENSIONS (IN.)

SIZE	PART NUMBER	THREAD SIZE	PSI	BAR	A	B	C
* 1/4"	MPV-14-NPT	1/4" NPT	3000	205	2.00	1.06	3.78
* 1/4"	MPV-14-SAE	7/16" -20 ORB	3000	205	2.00	1.06	3.78
* 3/8"	MPV-38-NPT	3/8" NPT	3000	205	2.00	1.06	3.78
* 3/8"	MPV-38-SAE	9/16" -18 ORB	3000	205	2.00	1.06	3.78
1/2"	MPV-12-NPT	1/2" NPT	3000	205	2.72	1.62	4.78
1/2"	MPV-12-SAE	3/4" -16 ORB	3000	205	2.72	1.62	4.78
3/4"	MPV-34-NPT	3/4" NPT	3000	205	3.49	1.88	4.78
3/4"	MPV-34-SAE	1 1/16" -12 ORB	3000	205	3.49	1.88	4.78
1"	MPV-1-NPT	1" NPT	3000	205	3.93	2.50	6.10
1"	MPV-1-SAE	1 5/16" -12 ORB	3000	205	3.93	2.50	6.10

*Stainless steel ball

171N Series

Low Pressure Brass Ball Valves

SPECIFICATIONS

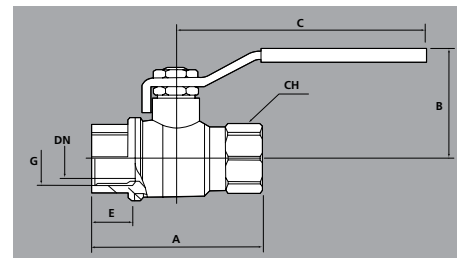
- Full port
- Blow-out proof stem
- PTFE seats, seals, washer
- Chrome plated Brass ball
- Temp rated -22°F to 366°F



REGULAR HANDLE



LOCKING HANDLE



REGULAR HANDLE

SIZE	THREAD SIZE	PART NUMBER	PSI	DIMENSIONS (IN.)					
				DN	B	A	C	E	CH
1/2"	1/2" NPTF	171N-12-NPT	600	.58	2.08	2.05	3.54	.52	.78
3/4"	3/4" NPTF	171N-34-NPT	600	.74	2.30	2.36	3.78	.56	1.20
1"	1" NPTF	171N-1-NPT	600	.94	2.68	2.75	4.52	.66	1.50
1 1/4"	1 1/4" NPTF	171N-114-NPT	600	1.26	3.14	3.30	4.52	.70	1.82
1 1/2"	1 1/2" NPTF	171N-112-NPT	600	1.57	3.61	3.66	5.51	.72	2.09
2"	2" NPTF	171N-2-NPT	600	1.97	3.68	4.18	5.51	.74	2.12

LOCKING HANDLE

SIZE	THREAD SIZE	PART NUMBER	PSI	DIMENSIONS (IN.)					
				DN	B	A	C	E	CH
1/4"	1/4" NPTF	171N-14-NPT-LH	600	.39	1.83	2.02	3.78	.39	.78
3/8"	3/8" NPTF	171N-38-NPT-LH	600	.39	1.83	2.02	3.78	.39	.78
1/2"	1/2" NPTF	171N-12-NPT-LH	600	.59	1.99	2.44	3.78	.53	.98
3/4"	3/4" NPTF	171N-34-NPT-LH	600	.79	2.48	2.71	4.84	.55	1.22
1"	1" NPTF	171N-1-NPT-LH	600	.98	2.64	3.07	4.84	.66	1.49
1 1/4"	1 1/4" NPTF	171N-114-NPT-LH	600	1.29	3.15	3.42	5.94	.68	1.88
1 1/2"	1 1/2" NPTF	171N-112-NPT-LH	600	1.57	3.38	3.89	5.94	.68	2.12
2"	2" NPTF	171N-2-NPT-LH	600	1.96	3.74	4.33	6.30	.69	2.63

383 Series – Low Pressure Mini Ball Valves

SPECIFICATIONS

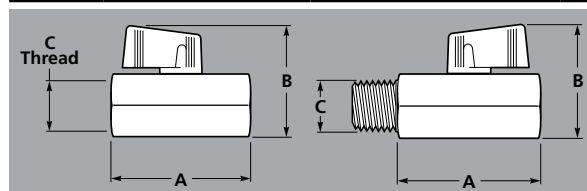
- One piece body
- Blow-out proof stem
- FPM O-Rings
- PTFE seats
- Temp rated 4°F to 200°F



383 SERIES

DIMENSIONS (IN.)

SIZE	PART NUMBER	THREAD (C)	PSI	A	B
1/8"	383N-18-NPT	1/8" F x 1/8" F NPTF	450	1.71	1.50
1/8"	383M-18-NPT	1/8" F x 1/8" M NPTF	450	1.71	1.50
1/4"	383N-14-NPT	1/4" F x 1/4" F NPTF	450	1.71	1.50
1/4"	383M-14-NPT	1/4" F x 1/4" M NPTF	450	1.71	1.50
3/8"	383N-38-NPT	3/8" F x 3/8" F NPTF	450	1.71	1.50
3/8"	383M-38-NPT	3/8" F x 3/8" M NPTF	450	1.71	1.50
1/2"	383N-12-NPT	1/2" F x 1/2" F NPTF	450	2.10	1.73
1/2"	383M-12-NPT	1/2" F x 1/2" M NPTF	450	2.10	1.73



SLB Series

Low Pressure Stainless Steel Ball Valves

SPECIFICATIONS

- 316 Stainless body, ball and stem
- Pure PTFE seats
- Blow-out proof stems
- Lock handle standard
- Full port

TEMP. RATING

- -20°F to 350°F



SLB SERIES

DIMENSIONS (IN.)

SIZE	THREAD SIZE	PART NUMBER	PSI	D	DN	P	L	G	A	H
1/4"	1/4" NPTF	SLB-14-NPT-LH	1000	1/4"	.45	.38	2.16	1.12	3.93	1.96
3/8"	3/8" NPTF	SLB-38-NPT-LH	1000	3/8"	.49	.38	2.16	1.12	3.93	1.96
1/2"	1/2" NPTF	SLB-12-NPT-LH	1000	1/2"	.59	.43	2.55	1.12	5.11	2.36
3/4"	3/4" NPTF	SLB-34-NPT-LH	1000	3/4"	.78	.43	2.93	1.38	5.11	2.51
1"	1" NPTF	SLB-1-NPT-LH	1000	1"	.98	.53	3.46	1.38	6.49	2.79
1 1/4"	1 1/4" NPTF	SLB-114-NPT-LH	1000	1 1/4"	1.25	.53	4.01	1.50	6.49	3.07
1 1/2"	1 1/2" NPTF	SLB-112-NPT-LH	1000	1 1/2"	1.49	.61	4.33	1.50	7.48	3.38
2"	2" NPTF	SLB-2-NPT-LH	1000	2"	1.96	.61	4.92	1.50	7.48	3.74
2 1/2"	2 1/2" NPTF	SLB-212-NPT-LH	1000	2 1/2"	2.56	1.75	6.02	2.56	9.61	4.72
3"	3" NPTF	SLB-3-NPT-LH	1000	3"	3.15	1.75	6.85	2.56	9.61	5.16

