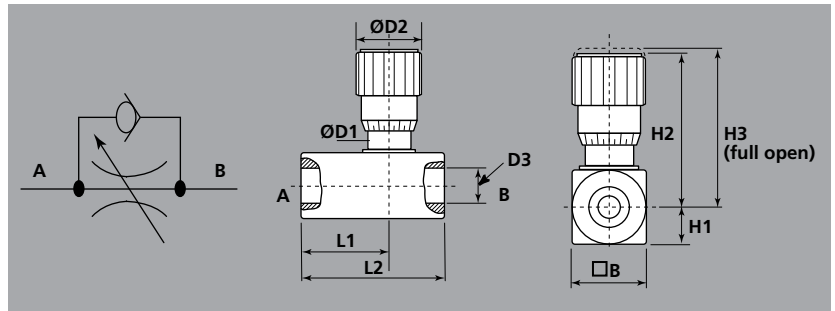


Flow Control and Needle Valves

SPECIFICATIONS

- Micrometer adjustment knob for accurate valve setting
- Rugged construction
- Carbon steel body with black oxide plating
- Zinc alloy handle
- Steel set screw
- Buna-O-Ring/PTFE stem packing



MAXIMUM PRESSURE

- 5000 PSI

TEMP. RATING

- -4°F to 176°F

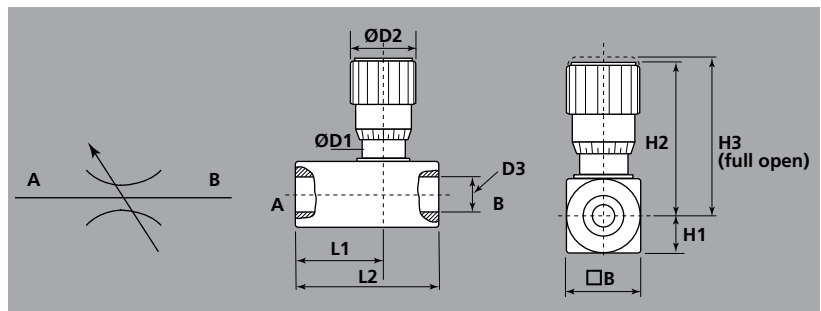
FLOW CONTROL VALVE

DIMENSIONS (IN.)											
SIZE	PART NUMBER	B	D1	D2	D3	H1	H2	H3	L1	L2	WEIGHT
1/4"	FCV2818-2	1.10	0.76	1.18	1/4" NPTF	0.55	2.41	2.67	1.54	2.52	0.90 lbs
3/8"	FCV2818-3	1.10	0.76	1.18	3/8" NPTF	0.55	2.41	2.67	1.69	2.75	0.90 lbs
1/2"	FCV2818-4	1.50	0.95	1.46	1/2" NPTF	0.75	3.07	3.41	2.05	3.27	2.00 lbs
3/4"	FCV2818-6	1.50	0.95	1.46	3/4" NPTF	0.75	3.08	3.41	2.19	3.50	2.00 lbs
1"	FCV2818-8	1.89	1.38	1.89	1" NPTF	0.94	4.03	4.50	2.79	4.60	4.20 lbs
1 1/4"	FCV2818-10	2.38	1.96	2.28	1 1/4" NPTF	1.18	5.25	5.88	3.39	6.07	9.55 lbs
3/8"	FCV2818-3-SAE	1.10	0.76	1.18	06 SAE	0.55	2.41	2.67	1.69	2.75	0.90 lbs



SPECIFICATIONS

- Micrometer adjustment knob for accurate valve setting
- Rugged construction
- Carbon steel body with black oxide plating
- Zinc alloy handle
- Steel set screw
- Buna-O-Ring/PTFE stem packing



MAXIMUM PRESSURE

- 5000 PSI

TEMP. RATING

- -4°F to 176°F

NEEDLE VALVE

DIMENSIONS (IN.)											
SIZE	PART NUMBER	B	D1	D2	D3	H1	H2	H3	L1	L2	WEIGHT
1/4"	NVI2810-2	1.10	0.76	1.18	1/4" NPTF	0.55	2.41	2.67	1.54	2.52	0.90 lbs
3/8"	NVI2810-3	1.10	0.76	1.18	3/8" NPTF	0.55	2.41	2.67	1.69	2.75	0.90 lbs
1/2"	NVI2810-4	1.50	0.95	1.46	1/2" NPTF	0.75	3.07	3.41	2.05	3.27	2.00 lbs
3/4"	NVI2810-6	1.50	0.95	1.46	3/4" NPTF	0.75	3.08	3.41	2.19	3.50	2.00 lbs
1"	NVI2810-8	1.89	1.38	1.89	1" NPTF	0.94	4.03	4.50	2.79	4.60	4.20 lbs
1 1/4"	NVI2810-10	2.39	1.74	2.26	1 1/4" NPTF	1.20	5.34	5.88	2.24	4.49	7.50 lbs
1 1/2"	NVI2810-12	2.76	2.38	3.17	1 1/2" NPTF	1.38	6.30	7.13	2.41	4.81	15.40 lbs
3/8"	NVI2810-3-SAE	1.10	0.76	1.18	06 SAE	0.55	2.41	2.67	1.69	2.75	0.90 lbs



PC-100 Series

Needle Valves



SPECIFICATIONS

- Made in the USA
- Compact valve size built for maximum durability and performance
- Available in zinc plated steel, brass, and 316 stainless steel
- FKM o-ring and PTFE back-up ring below the stem threads to protect from corrosion
- All stem threads are rolled for strength and ease of operation
- Patented body-to-bonnet, metal-to-metal seal is designed to increase pressure range

ORIFICE SIZE

0.172"

FLOW COEFFICIENT

Cv 0.42

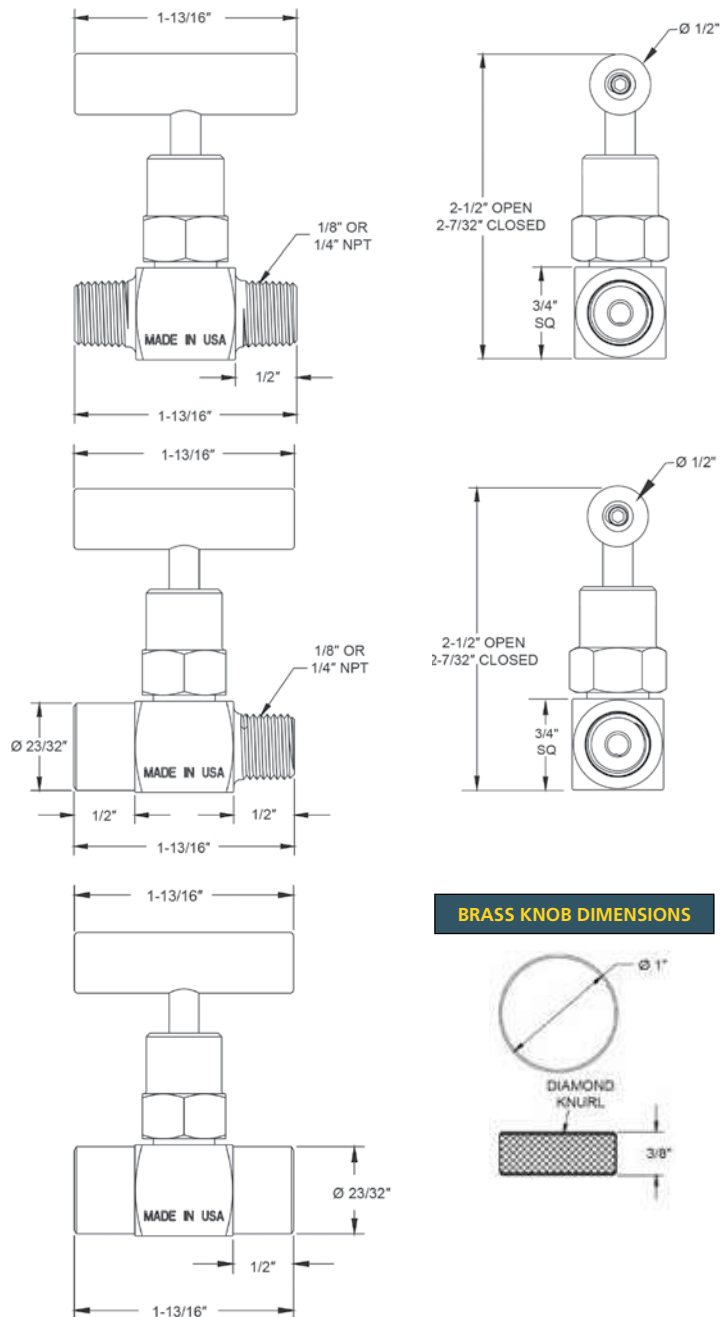
PRESSURE

Brass 6000 PSI

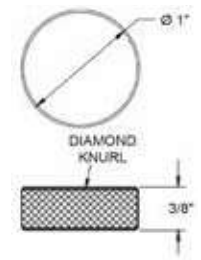
Steel and Stainless 10,000 PSI

PART NUMBER	SIZE	THREAD	MATERIAL
PC-101-FFB	1/8"	1/8" FxF	BRASS
PC-101-MFB	1/8"	1/8" MxF	BRASS
PC-101-MMB	1/8"	1/8" MxM	BRASS
PC-101-FFC	1/8"	1/8" FxF	STEEL
PC-101-MFC	1/8"	1/8" MxF	STEEL
PC-101-MMC	1/8"	1/8" MxM	STEEL
PC-101-FFS	1/8"	1/8" FxF	STAINLESS
PC-101-MFS	1/8"	1/8" MxF	STAINLESS
PC-101-MMS	1/8"	1/8" MxM	STAINLESS
PC-102-FFB	1/4"	1/4" FxF	BRASS
PC-102-MFB	1/4"	1/4" MxF	BRASS
PC-102-MMB	1/4"	1/4" MxM	BRASS
PC-102-FFC	1/4"	1/4" FxF	STEEL
PC-102-MFC	1/4"	1/4" MxF	STEEL
PC-102-MMC	1/4"	1/4" MxM	STEEL
PC-102-FFS	1/4"	1/4" FxF	STAINLESS
PC-102-MFS	1/4"	1/4" MxF	STAINLESS
PC-102-MMS	1/4"	1/4" MxM	STAINLESS

1/8" - 1/4" DIMENSIONS



BRASS KNOB DIMENSIONS



PC-400 Series

Needle Valves

SPECIFICATIONS

- Made in the USA
- Blow-out proof stem provides a secondary stem seal in the fully opened position
- FKM o-ring seal and PTFE back-up ring below the stem threads to protect from corrosion
- All stem threads are rolled for strength and ease of operation
- One piece bonnet with a metal-to-metal seal to the valve body below the bonnet threads
- Slotted spring pin to prevent accidental loosening
- Vinyl dust cap for bonnet and stem (non-packing)
- Available in steel and 316 stainless steel
- All stainless valves meet NACE requirements
- 10,000 PSI rated



ORIFICE SIZES

1/4" x 1/2" 0.187"

3/4" x 1-1/2" 0.438"

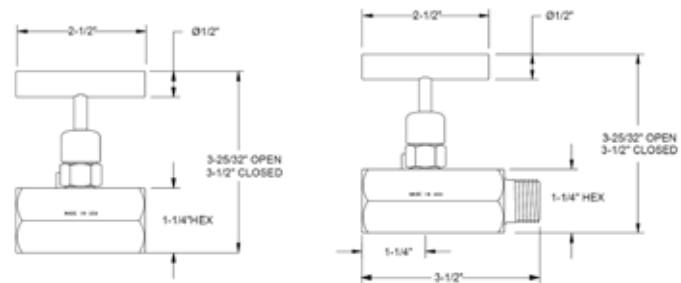
FLOW COEFFICIENT

1/4" x 1/2" Cv 0.44

3/4" x 1-1/2" Cv 2.70

PART NUMBER	SIZE	THREAD	MATERIAL
PC-402-FFC	1/4"	1/4" NPT FxF	STEEL
PC-402-MFC	1/4"	1/4" NPT MxF	STEEL
PC-403-FFC	3/8"	3/8" NPT FxF	STEEL
PC-403-MFC	3/8"	3/8" NPT MxF	STEEL
PC-404-FFC	1/2"	1/2" NPT FxF	STEEL
PC-404-MFC	1/2"	1/2" NPT MxF	STEEL
PC-406-FFC	3/4"	3/4" NPT FxF	STEEL
PC-406-MFC	3/4"	3/4" NPT MxF	STEEL
PC-408-FFC	1"	1" NPT FxF	STEEL
PC-408-MFC	1"	1" NPT MxF	STEEL
PC-410-FFC	1-1/4"	1-1/4" NPT FxF	STEEL
PC-410-MFC	1-1/4"	1-1/4" NPT MxF	STEEL
PC-412-FFC	1-1/2"	1-1/2" NPT FxF	STEEL
PC-412-MFC	1-1/2"	1-1/2" NPT MxF	STEEL
PC-402-FFS	1/4"	1/4" NPT FxF	STAINLESS
PC-402-MFS	1/4"	1/4" NPT MxF	STAINLESS
PC-403-FFS	3/8"	3/8" NPT FxF	STAINLESS
PC-403-MFS	3/8"	3/8" NPT MxF	STAINLESS
PC-404-FFS	1/2"	1/2" NPT FxF	STAINLESS
PC-404-MFS	1/2"	1/2" NPT MxF	STAINLESS
PC-406-FFS	3/4"	3/4" NPT FxF	STAINLESS
PC-406-MFS	3/4"	3/4" NPT MxF	STAINLESS
PC-408-FFS	1"	1" NPT FxF	STAINLESS
PC-408-MFS	1"	1" NPT MxF	STAINLESS
PC-410-FFS	1-1/4"	1-1/4" NPT FxF	STAINLESS
PC-410-MFS	1-1/4"	1-1/4" NPT MxF	STAINLESS
PC-412-FFS	1-1/2"	1-1/2" NPT FxF	STAINLESS
PC-412-MFS	1-1/2"	1-1/2" NPT MxF	STAINLESS

1/4" - 1/2" DIMENSIONS



3/4" - 1-1/2" DIMENSIONS

