

# PPD Series

## Diagnostic Couplings

### FEATURES

- Non-spill design
- Push to connect sleeve
- Compliant with ISO-15171-1

### APPLICATIONS

- Connect/disconnect pressure gauges to hydraulic systems, eliminating the need for permanent gauges

### INTERCHANGEABILITY

- Parker
- Aeroquip
- Faster
- Dixon

### MATERIALS

- Steel

### SIZES

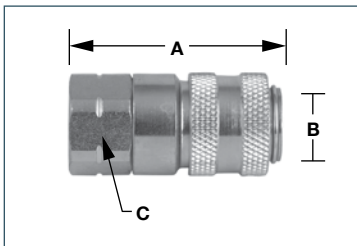
- 1/8" body size

### TEMP. RATING

- -22°F to 212°F

### RATED PRESSURE

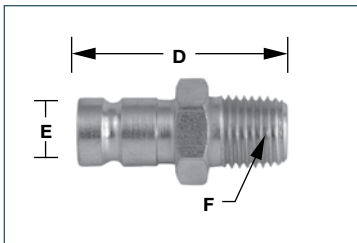
- 6000 PSI



### COUPLER

BODY SIZE	PART NUMBER		DIMENSIONS (IN.)		
	BRASS	THREAD SIZE	A	B	C
1/8"	PPD02-N18F	1/8" NPTF	2.13	.67	.83
1/8"	PPD02-N14F	1/4" NPTF	2.13	.67	.83
1/8"	PPD02-N14F-02	1/4" NPTF	2.28	.67	.83

NOTE: -02 at end of part number denotes male thread.



### PLUG

BODY SIZE	PART NUMBER		DIMENSIONS (IN.)		
	STEEL	THREAD SIZE	D	E	F
1/8"	PPD02-N18M	1/8" NPTF	1.88	.49	.67
1/8"	PPD02-N18M-02	1/8" NPTF	1.98	.49	.67
1/8"	PPD02-N14M	1/4" NPTF	1.88	.49	.67
1/8"	PPD02-N14M-02	1/4" NPTF	1.43	.49	.67
1/8"	PPD02-S716M-02	7/16" -20 ORB	1.93	.49	.67
1/8"	PPD02-S916M-02	9/16" -18 ORB	1.48	.49	.67

NOTE: -02 at end of part number denotes male thread.

# H900 Series

## Diagnostic Couplings/Micro Hoses

### FEATURES

- Leak-proof connection
- Connect/disconnect under pressure up to 5800 PSI
- Self-locking metal cap
- Able to test systems at working pressure

### APPLICATIONS

- Monitoring and control of pressure
- Venting
- Fluid sampling
- Remote testing

### INTERCHANGEABILITY

- Stauff
- Parker

### MATERIALS

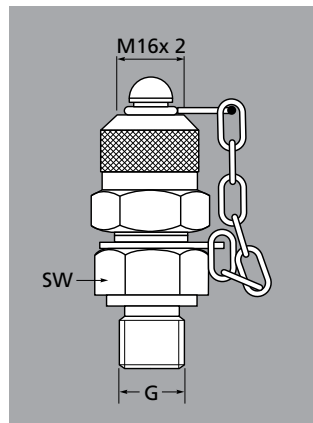
- Steel
- Stainless Steel

### TEMP. RATING

- -22°F to 212°F

### RATED PRESSURE

- 9000 PSI

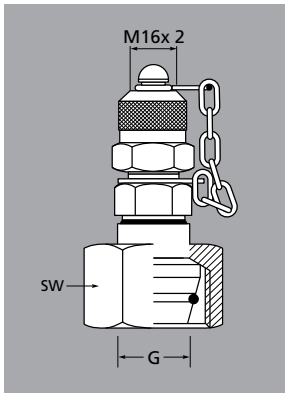


### TEST CONNECTORS

PART NUMBER	THREAD (G)	HEX (SW)	MATERIAL
H900-01	M8 x 1	.67	STEEL
H900-10	5/16" -24 ORB	.67	STEEL
H900-11	7/16" -20 ORB	.67	STEEL
H900-11-SS	7/16" -20 ORB	.67	STAINLESS
H900-12	9/16" -18 ORB	.75	STEEL
H900-12-SS	9/16" -18 ORB	.75	STAINLESS
H900-20	1/8" NPT-Male	.67	STEEL
H900-21	1/4" NPT-Male	.75	STEEL
H900-21-SS	1/4" NPT-Male	.75	STAINLESS
H900-22	3/8" NPT-Male	.75	STEEL
H900-23	1/2" NPT-Male	.95	STEEL
H900-24	1/4" NPT-Male	.95	STEEL
H900-25	M10 x 1	.75	STEEL
H900-26	M12 x 1.5	.75	STEEL
H900-27	M14 x 1.5	.95	STEEL
H900-28	M16 x 1.5	.87	STEEL
H900-30	1/8" BSP-Male	.67	STEEL
H900-31	1/4" BSP-Male	.75	STEEL
H900-31-SS	1/4" BSP-Male	.75	STAINLESS
H900-32	3/8" BSP-Male	.87	STEEL
H900-33	1/2" BSP-Male	1.07	STEEL
H900-45	7/16" -20 ORB-Male	.75	STEEL
H900-49	7/16" -20 ORBF	.75	STEEL
H900-89	M16 x 2 Hose Union	.67	STEEL

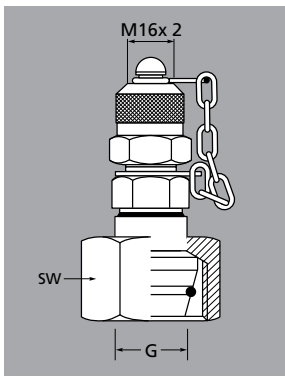
# H900 Series

## Diagnostic Couplings



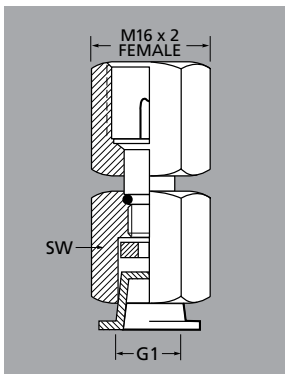
### TEST CONNECTORS FOR COMPRESSION RING FITTINGS LOW PRESSURE SERIES – STEEL – 4560 PSI

PART NUMBER	CONNECTION (G)	TUBE SIZE	HEX (SW)
H900-50	M12 x 1.5	8	.66
H900-51	M14 x 1.5	10	.74
H900-52	M16 x 1.5	10	.74
H900-53	M18 x 1.5	12	.87
H900-54	M22 x 1.5	15	1.06
H900-55	M26 x 1.5	18	1.26
H900-57	M36 x 2	28	1.61
H900-59	M52 x 2	42	2.36



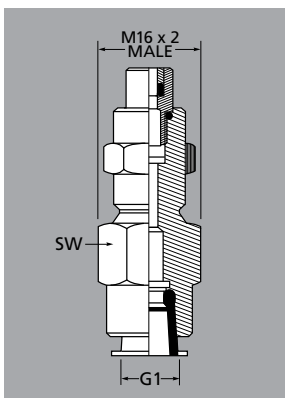
### TEST CONNECTORS FOR COMPRESSION RING FITTINGS HIGH PRESSURE SERIES – STEEL – 9135 PSI

PART NUMBER	CONNECTION (G)	TUBE SIZE	HEX (SW)
H900-60	M14 x 1.5	6	.66
H900-61	M16 x 1.5	8	.74
H900-62	M18 x 1.5	10	.87
H900-63	M20 x 1.5	12	.94
H900-65	M24 x 1.5	16	1.18



### GAUGE ADAPTER M16 x 2 FEMALE

PART NUMBER	THREAD (G1)	HEX (SW)
H900-84	1/4" BSPP	.74
H900-85	1/2" BSPP	1.06
H900-86	1/4" NPTF	.74
H900-87	1/2" NPTF	1.06
H900-91	7/16" -20 ORB	.87

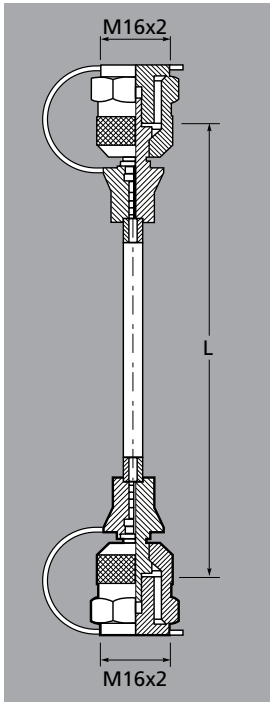


### GAUGE ADAPTER M16 x 2 MALE

PART NUMBER	THREAD (G1)	HEX (SW)
H900-80	1/4" BSPP	.74
H900-81	1/2" BSPP	1.06
H900-82	1/4" NPTF	.74
H900-83	1/2" NPTF	1.06

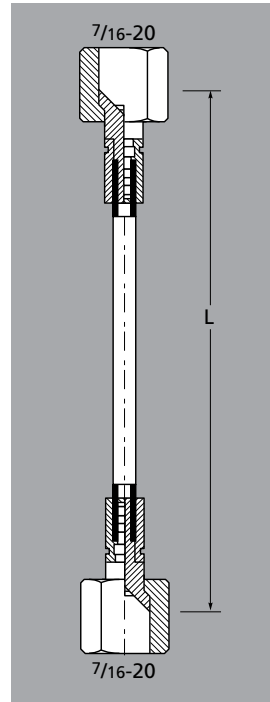
# H900 Series

## Diagnostic Micro Hoses



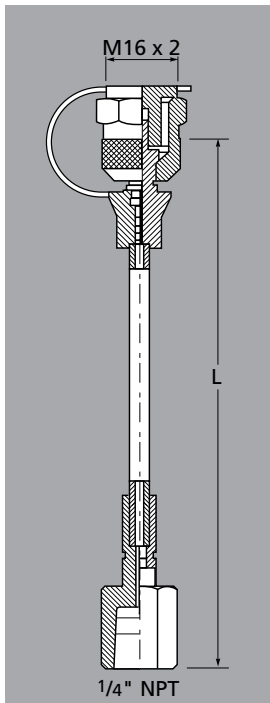
**MICRO HOSE M16 x 2  
FEMALE x M16 x 2 FEMALE**

PART NUMBER	LENGTH (IN)
H900-92-08	8
H900-92-12	12
H900-92-16	16
H900-92-24	24
H900-92-30	30
H900-92-32	32
H900-92-40	40
H900-92-60	60
H900-92-78	78
H900-92-98	98
H900-92-130	130
H900-92-158	158
H900-92-197	197
H900-92-236	236



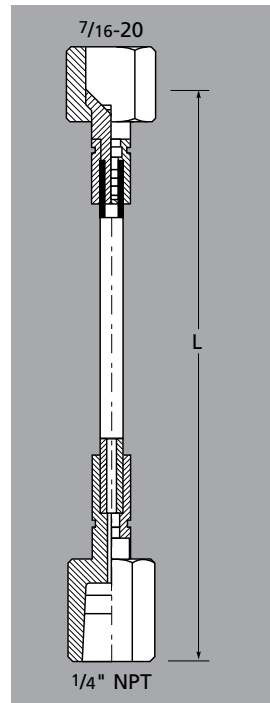
**MICRO HOSE 7/16-20  
FEMALE x 7/16-20 FEMALE**

PART NUMBER	LENGTH (IN)
H900-994-08	8
H900-994-10	10
H900-994-12	12
H900-994-16	16
H900-994-20	20
H900-994-24	24
H900-994-30	30
H900-994-32	32
H900-994-40	40
H900-994-60	60
H900-994-72	72
H900-994-78	78
H900-994-98	98
H900-994-125	125
H900-994-157	157



**MICRO HOSE M16 x 2  
FEMALE x 1/4 NPT FEMALE**

PART NUMBER	LENGTH (IN)
H900-993-08	8
H900-993-10	10
H900-993-12	12
H900-993-16	16
H900-993-20	20
H900-993-24	24
H900-993-30	30
H900-993-32	32
H900-993-40	40
H900-993-60	60
H900-993-78	78
H900-993-98	98
H900-993-130	130
H900-993-157	157



**MICRO HOSE 7/16-20  
FEMALE x 1/4 NPT FEMALE**

PART NUMBER	LENGTH (IN)
H900-995-12	12
H900-995-18	18
H900-995-20	20
H900-995-24	24
H900-995-30	30
H900-995-40	40
H900-995-60	60
H900-995-78	78
H900-995-98	98
H900-995-125	125
H900-995-157	157

NOTE: Custom hose lengths available. Contact PCI.

# HSP-1720 Series

## Test Couplings

### HSP-1720 SERIES HOSE COUPLINGS

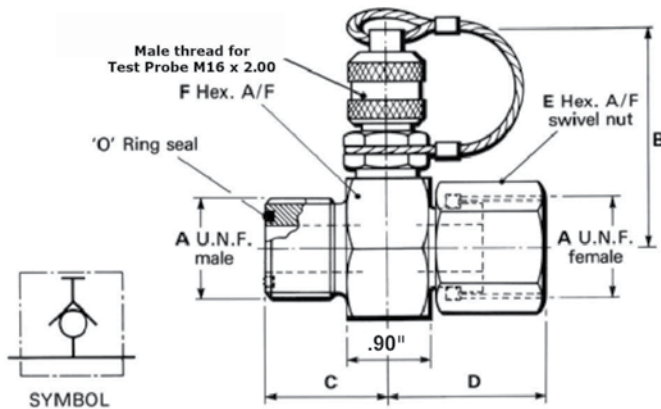
The HSP-1720 Series Hose Couplings are installed between the female swivelnut of the flexible hose and the fixed male connection. The integrated test point is used to obtain random pressure checks during servicing or fault finding. The test points can be disconnected and connected under full system pressure without fluid loss.

### SPECIFICATIONS

- 6000 PSI working pressure, all sizes
- Can be used with direct or remote test probes
- For ORFS hose sizes
- FKM seals standard
- ORFS male x ORFS female



PART NUMBER	THREAD	B	C	D	E	F	WEIGHT (LB)
HSP-1720-4M-V	9/16" - 18	2.04	.81	1.22	.81	1.18	.48
HSP-1720-6M-V	11/16" - 16	2.04	.87	1.26	.94	1.18	.56
HSP-1720-8M-V	13/16" - 16	2.04	.93	1.35	1.13	1.18	.65
HSP-1720-10M-V	1" - 14	2.09	1.04	1.49	1.18	1.25	.72
HSP-1720-12M-V	1-3/16" - 12	2.20	1.12	1.73	1.37	1.50	.96
HSP-1720-16M-V	1-7/16" - 12	2.30	1.12	1.73	1.67	1.67	1.28
HSP-1720-20M-V	1-11/16" - 12	2.48	1.12	1.73	1.87	2.05	1.59



# HSP-1040 Series

## Test Couplings

### HSP-1040 SERIES HOSE COUPLINGS

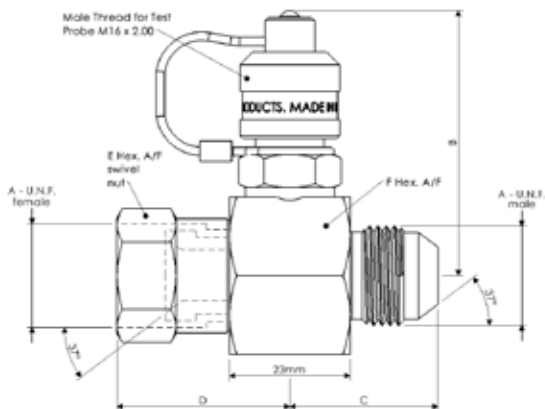
HSP-1040 Series Hose Couplings are installed between the female swivelnut of the flexible hose and the fixed male connection. The integrated test point is used to obtain random pressure checks during servicing or fault finding. The test points can be disconnected and connected under full system pressure without fluid loss.

### SPECIFICATIONS

- 6000 PSI working pressure, all sizes
- Can be used with direct or remote test probes
- For JIC hose sizes 7/16" to 1-7/8"
- FKM seals standard



PART NUMBER	THREAD	B	C	D	E	F	WEIGHT (LB)
HSP-1040-4M-V	7/16"-20	2.01	1.00	1.22	.56	1.13	.28
HSP-1040-5M-V	1/2"-20	2.01	1.00	1.30	.62	1.13	.29
HSP-1040-6M-V	9/16"-18	2.01	1.01	1.34	.68	1.13	.32
HSP-1040-8M-V	3/4"-16	2.01	1.14	1.33	.87	1.13	.33
HSP-1040-10M-V	7/8"-14	2.14	1.23	1.51	1.00	1.37	.55
HSP-1040-12M-V	1-1/16"-12	2.14	1.31	1.63	1.25	1.37	.66
HSP-1040-16M-V	1-5/16"-12	2.30	1.36	1.72	1.50	1.69	.95
HSP-1040-20M-V	1-5/8"-12	2.61	.95	1.77	2.04	2.00	1.72
HSP-1040-24M-V	1-7/8"-12	2.98	1.08	1.89	2.20	2.22	1.98



# PCLG Series

## Liquid Filled 2 1/2" Stainless Case Pressure Gauges

### CONSTRUCTION

- Stainless steel case
- Bronze bourdon tube
- Glycerine filled

### ACCURACY

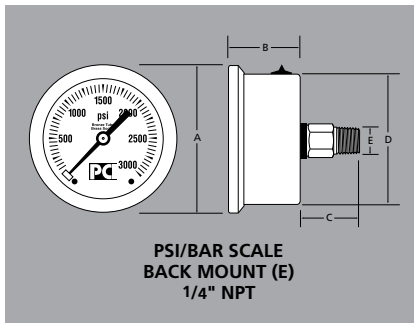
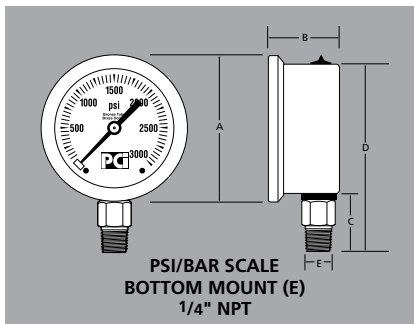
- 1.6% Full scale

### TEMPERATURE

- -30°F – 160°F



### PCLG SERIES



### BOTTOM MOUNT

PART NUMBER	PRESSURE RANGE	A	B	C	D
PCLG - 30 - 0V	-30HG - 0 PSI	2.69	1.20	.84	3.30
PCLG - 3030 - C	-30HG - 30 PSI	2.69	1.20	.84	3.30
PCLG - 30P	0 - 30 PSI	2.69	1.20	.84	3.30
PCLG - 60P	0 - 60 PSI	2.69	1.20	.84	3.30
PCLG - 100P	0 - 100 PSI	2.69	1.20	.84	3.30
PCLG - 160P	0 - 160 PSI	2.69	1.20	.84	3.30
PCLG - 200P	0 - 200 PSI	2.69	1.20	.84	3.30
PCLG - 300P	0 - 300 PSI	2.69	1.20	.84	3.30
PCLG - 600P	0 - 600 PSI	2.69	1.20	.84	3.30
PCLG - 1000P	0 - 1000 PSI	2.69	1.20	.84	3.30
PCLG - 2000P	0 - 2000 PSI	2.69	1.20	.84	3.30
PCLG - 3000P	0 - 3000 PSI	2.69	1.20	.84	3.30
PCLG - 5000P	0 - 5000 PSI	2.69	1.20	.84	3.30
PCLG - 6000P	0 - 6000 PSI	2.69	1.20	.84	3.30
PCLG - 10,000P	0 - 10,000 PSI	2.69	1.20	.84	3.30
PCLG - 15,000P	0 - 15,000 PSI	2.69	1.20	.84	3.30

### BACK MOUNT

PART NUMBER	PRESSURE RANGE	A	B	C	D
PCLG - 30 - 0V - B	-30HG - 0 PSI	2.68	1.18	1.14	2.44
PCLG - 3030 - C - B	-30HG - 30 PSI	2.68	1.18	1.14	2.44
PCLG - 30P - B	0 - 30 PSI	2.68	1.18	1.14	2.44
PCLG - 60P - B	0 - 60 PSI	2.68	1.18	1.14	2.44
PCLG - 100P - B	0 - 100 PSI	2.68	1.18	1.14	2.44
PCLG - 160P - B	0 - 160 PSI	2.68	1.18	1.14	2.44
PCLG - 200P - B	0 - 200 PSI	2.68	1.18	1.14	2.44
PCLG - 300P - B	0 - 300 PSI	2.68	1.18	1.14	2.44
PCLG - 600P - B	0 - 600 PSI	2.68	1.18	1.14	2.44
PCLG - 1000P - B	0 - 1000 PSI	2.68	1.18	1.14	2.44
PCLG - 2000P - B	0 - 2000 PSI	2.68	1.18	1.14	2.44
PCLG - 3000P - B	0 - 3000 PSI	2.68	1.18	1.14	2.44
PCLG - 5000P - B	0 - 5000 PSI	2.68	1.18	1.14	2.44
PCLG - 6000P - B	0 - 6000 PSI	2.68	1.18	1.14	2.44
PCLG - 10,000P - B	0 - 10,000 PSI	2.68	1.18	1.14	2.44

### ACCESSORIES

NOTE: Center back gauges include the panel clamp

PART NUMBER	DESCRIPTION
PC - 02	PANEL FLANGE

# PCDG Series

## Digital Pressure Gauges

### PCDG SERIES

- 2 1/2" digital gauge
- LCD display
- 1/4" NPT bottom mount
- 0.25% accuracy full scale
- Temp rating 0°F to 130°F
- Polycarbonate body
- Battery powered (2 AAA)
- Auto shut off feature
- 2,000 hour battery life
- Bar, PSI, MPa, KgF/CM2
- Backlit and zero clearing
- 150% overload capacity



PART NUMBER	PRESSURE RANGE	WEIGHT	A	B	C
PCDG-1000P	0-1000 PSI	.4 LBS	3.98	2.59	1/4" NPT
PCDG-2000P	0-2000 PSI	.4 LBS	3.98	2.59	1/4" NPT
PCDG-3000P	0-3000 PSI	.4 LBS	3.98	2.59	1/4" NPT
PCDG-3500P	0-3500 PSI	.4 LBS	4.65	2.59	1/4" NPT
PCDG-5000P	0-5000 PSI	.4 LBS	4.65	2.59	1/4" NPT
PCDG-10,000P	0-10,000 PSI	.4 LBS	4.65	2.59	1/4" NPT

Please see gauge kits available on page 40.  
 Black rubber gauge protectors are available for all digital gauges.  
 Contact PCI for details and pricing.



# H900 Series Test Kits

## STANDARD GAUGE KIT PART NUMBER HPTK-1



### KIT INCLUDES

- 2 pcs 40" microhose with M16x2 female by 1/4" NPTF ends
- 1 pc 0-1000 PSI pressure gauge 2 1/2" bottom mount
- 1 pc 0-3000 PSI pressure gauge 2 1/2" bottom mount
- 1 pc 0-5000 PSI pressure gauge 2 1/2" bottom mount
- 1 pc M16x2 x 7/16"-20 ORB test point
- 1 pc M16x2 x 9/16"-18 ORB test point
- 1 pc M16x2 x 1/8" NPT test point
- 1 pc M16x2 x 1/4" NPT test point
- 1 pc M16x2 female x 1/4" NPT female gauge connector
- 1 pc M16x2 x 1/4" BSP test point

### CASE DIMENSIONS

11 1/2" x 7 1/2" x 3"

WEIGHT: 3.95 LBS

## DIGITAL GAUGE KIT PART NUMBER HPTK-2



### KIT INCLUDES

- 2 pcs 40" microhose with M16x2 female by 1/4" NPTF ends
- 1 pc 0-1000 PSI digital gauge 2 1/2" bottom mount
- 1 pc 0-2000 PSI digital gauge 2 1/2" bottom mount
- 1 pc 0-3500 PSI digital gauge 2 1/2" bottom mount
- 1 pc M16x2 x 7/16"-20 ORB test point
- 1 pc M16x2 x 9/16"-20 ORB test point
- 1 pc M16x2 x 1/8" NPT test point
- 1 pc M16x2 x 1/4" NPT test point
- 1 pc M16x2 female x 1/4" NPT female gauge connector
- 1 pc M16x2 x 1/4" BSP test point

### CASE DIMENSIONS

11 1/2" x 7 1/2" x 3"

WEIGHT: 4.05 LBS

## DIGITAL GAUGE KIT PART NUMBER HPTK-3



### KIT INCLUDES

- 2 pcs 40" microhose with M16x2 female by 1/4" NPTF ends
- 1 pc 0-3000 PSI digital gauge 2 1/2" bottom mount
- 1 pc 0-5000 PSI digital gauge 2 1/2" bottom mount
- 1 pc 0-10,000 PSI digital gauge 2 1/2" bottom mount
- 1 pc M16x2 x 7/16"-20 ORB test point
- 1 pc M16x2 x 9/16"-20 ORB test point
- 1 pc M16x2 x 1/8" NPT test point
- 1 pc M16x2 x 1/4" NPT test point
- 1 pc M16x2 female x 1/4" NPT female gauge connector
- 1 pc M16x2 x 1/4" BSP test point

### CASE DIMENSIONS

11 1/2" x 7 1/2" x 3"

WEIGHT: 4.05 LBS