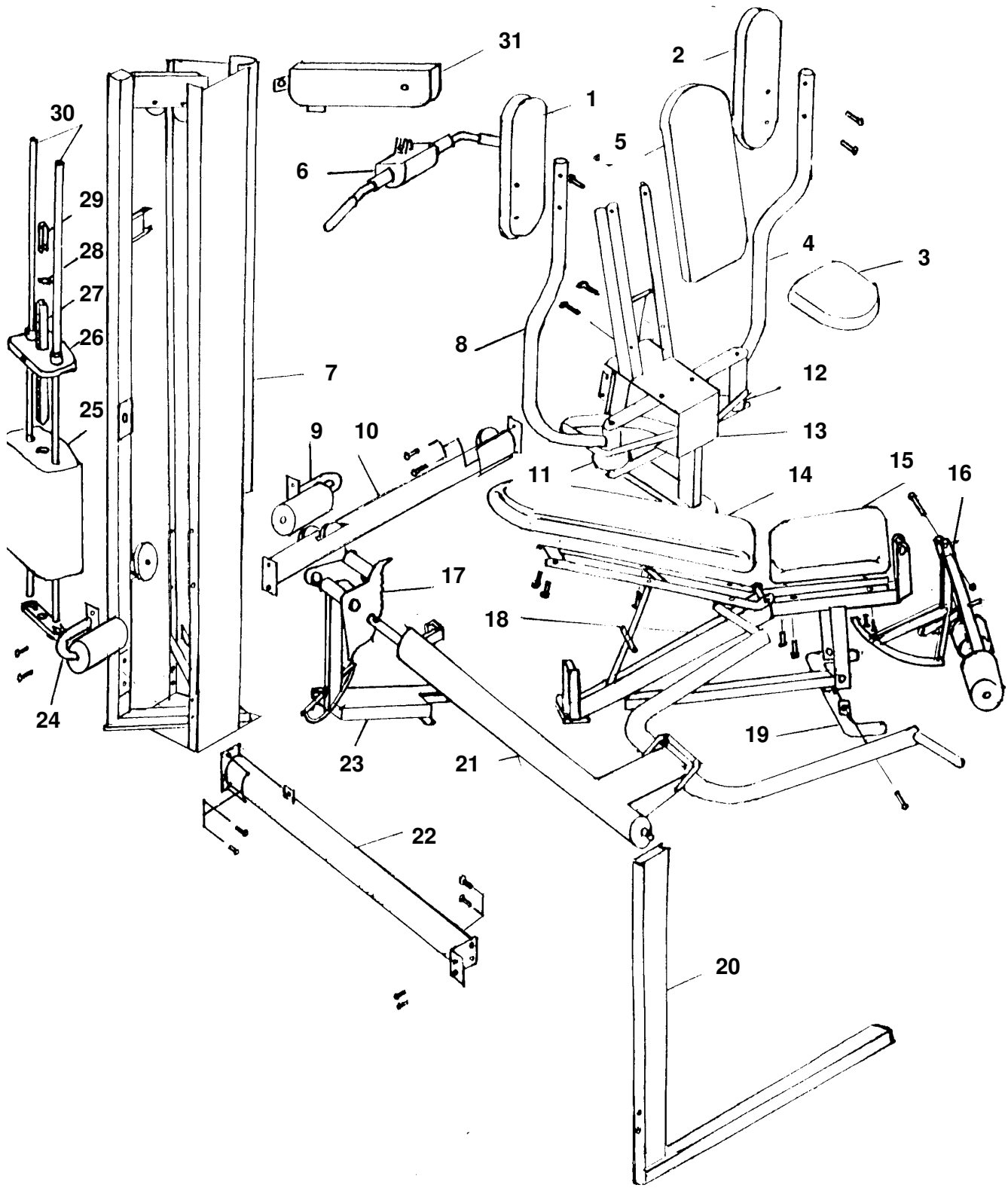


PARTS DIAGRAM VECTRA C - 1



Vectra C-1 Part Numbers and Prices

Vectra C-1	
Part #	Part Description
39180	Ab/row Pulley Bracket- without pulley
57900	Access Door (painted)
2.5AO	Add-on plate- 2.5 pound
5.0AO	Add-on plate- 5 pound
14200	Adjustable Pulley assembly- with pulley (adjustment bolt #14210 is separate)
11600	Adjustable Pulley Bracket- no pulley or hardware
46050	Bar- zinc plated for C-1 press handle
57580	Bar/Shaft- bench pivot C-1
46140	Bearing- freeway bearing for C-1 main bench (leg developer)
11920	Bearing- freeway for most pivot points, used with #13790 button head bolts
47180	Bench- assembly without foot (#47230) or leg developer (#47240) #18
46350	Bench main frame- weldment only, not an assembly
45950	Bench Seat Back weldment
45900	Bench Seat Bottom weldment- has notches for adjustment
55860	Bolt- 3/8-16 X ¾ blk hex with flange for frame
13790	Bolt- 1/2-13 X 1 button head for most freeway bearing pivot points
20850	Bolt- 1/4 X 20 X .75 for mounting upholstery
22100	Bolt- 3/8-16 x ½ blk- frame OBSOLETE (replaced with #55870)
55870	Bolt- 3/8-16 x ½ blk hex with flange for frame and bench foot assy.
23300	Bolt- 3/8-16 X 1.25 to attach some pulleys (metal on 1 side)
52910	Bolt- 3/8-16 X 1.5 for columns, pulley assemblies (double, single, adj., etc.)
12760	Bolt- 3/8-16 X 1.75 for most pulley assemblies & column caps
29190	Bolt- 3/8-16 X 3 for top plate
14210	Bolt- 3/8-16 X 4 for most adjustable pulleys
45980	Bolt- 3/8-16X1.25 button head for C-1 leg developer
27330	Bolt- 5/16 X .625, ¼-20 shoulder for squat latch
17080	Bolt- 5/16-18 X 1.5 for guide rod threaded inserts
20000	Bracket- for double-moving pulley (2 required)
20750	Bumper- bottom of weight stack OBSOLETE (replaced with two each #57670)
42220	Bumper Tube- for butterfly arm pawl
57670	Bumper weight stack (two required)- replaces single piece 20750
28990	Bumper/Plug- for b/fly cam & calf/row block (didn't switch to 54130 on Calf Block)
54130	Bumper/Plug- new ¾ inch stem version for b/fly cam
11450	Bushing- bronze for butterfly cams, press support and main frame (press arm shaft)
43780	Bushing- nylon for butterfly arm
24160	Bushing- nylon for pivot pulley
45970	Bushing- snap on nylon for C-1 press arm
20620	Bushing- weight plate (all) & top plate
47200	Butterfly Arm assembly- left-side C-1 #4
47210	Butterfly Arm assembly- right-side C-1 #8
28920	Butterfly Cam assembly- left-side #12
28910	Butterfly Cam assembly- right-side #11
47170	Butterfly Station assembly #13
47280	Butterfly to Corner Tube assembly #10
45250	Butterfly to Corner Tube- weldment ONLY, no pulleys/cables
46820	C-1 Shroud- LEFT-side (butterfly station side)
46810	C-1 Shroud- RIGHT-side (press station side)
C1BRSK	C-1 Shroud Set- Black
C1SRSK	C-1 Shroud Set- Silver
C1WRSK	C-1 Shroud Set- White
46780	Cable- butterfly station- 124.6" long
14080	Cable- high pulley station- 96.0" long
46800	Cable -leg extension- 38.13" long
46790	Cable- low pulley- 148.0" long (21.0" stripped)
46770	Cable- press station- 32.65" long
47400	Cable Set- C-1 complete

Vectra C-1 Part Numbers and Prices

Vectra C-1	
Part #	Part Description
17160	Cable Tie
47360	Calf/Row Block- C-1
CGPB	Close Grip Press Attachment Set- Black- allows close grip exercises on press arms
CGPCP	Close Grip Press Attachment Set- Classic Pewter- for close grip exercises on press arms
CGPSS	Close Grip Press Attachment Set- Sterling Silver- for close grip exercises on press arms
CGPW	Close Grip Press Attachment Set- White- allows close grip exercises on press arms
65570	Close Grip Press Attachment- right-side
65580	Close Grip Press Attachment- left-side
12340	Cotter Pin- 3/16 X 1.5 inch for butterfly arms/cams (used w/#13750 washer)
63540	Curly Bar assembly- (straight) BLACK only
45960	Decal- C-1
62000	Handle- Single Grip 8-inch strap (replaces D-Handle)
14180	Double Moving Pulley assembly- with pulleys & hardware
45990	End Cap- flatbar on C-1 bench rest on rail
17990	E-Ring- 5/16 X .035 for leg developer (strut joint)
10340	Foam Roller
47230	Foot assembly- C-1 bench (uses 2 #55870 frame bolts) #19
13240	Grip- 4 Inch for inner section of lat bar
11760	Grip- 7/8 I.D. X 8 inch- standard- REPLACED with #61890 "SS Cap" version
61890	Grip- 8-inch "SS Cap" version- replaces #11760
50830	Grip- for press adjust (#45330)
55420	Guide Rod assembly- 66.42 inches includes tube connector, bolt & spacer #30
47330	Hardware/Bolt Kit- C-1
47300	High Pulley assembly- with pulley #31
45650	High Pulley assembly- without pulley
47310	High Pulley Gusset/Bench Stop- bench rests against this at main frame #23
28020	Label- "Manufactured by..."
28010	Label- "Warning..." for wt. guard
48950	Label- "Warning..." for bench
45940	Label- large Vectra for main frame
43820	Label- left-side squat
43830	Label- right-side squat
60600	Label- wt. stack number sheet standard stacks -REVISED 12/04 <comment>
47320	Lat Bar- C-1 only version #6
48920	Lat Hold Down- boxed set for C-1
47370	Lat Hold Down- left-side for C-1 (uses 2 #55870 bolts) #24
47380	Lat Hold Down- right-side for C-1 (uses 2 #55870 bolts) #9
53930	Latch- current version for squat attachments (9/00- uses 54010 spring pin)
46400	Latch Pawl- C-1 bench
41530	Latch- Squat Attachment left & right- for original version squats only
46850	Leg Cam weldment
47240	Leg Developer assembly (without cable) #16
46530	Leg Developer Handle weldment- has hole for long strut spring pin
46600	Leg Developer weldment- rollers mount to this, channel piece
54050	Leg/Ankle Strap
46840	Link- links spring to leg developer leg developer channel member
40210	Loctite 242- 50 ML
47130	Low Pulley assembly- with pulley, bolt & nut
45750	Low Pulley Bracket- without pulley, bolt & nut
45450	Lower Press Tube weldment #22
47120	Main Housing Assembly #7
46100	Manual- C-1
17340	Nut- 1/2-13 hex jam
10600	Nut- 3/8 X 16 locking
46010	Nylon Glide/pivot/guide- 3/8 X 16 thread on press support for pivoting the bench
27520	O-Ring- .75 ID for leg strap and ab strap

Vectra C-1 Part Numbers and Prices

Vectra C-1	
Part #	Part Description
27530	O-Ring- 1 ID X 1/8 W neoprene for ORIGINAL selector pins
27510	O-Ring- 1.375 ID for butterfly arm
57570	Padding- center of curl and lat bar, etc. (1 per bar)- replaces 23330
23330	Padding- center of curl and lat bar, etc. Obsolete - replaced with 57570
46000	Panel Fastener Clip- black, for C-1 bench
28151	Pawl- for butterfly arms
28930	Pin/Dowel- .25 DIA X 1 for butterfly arm pawl
45120	Pivot Strip- flat bar at butterfly upper support
27990	Plug (Christmas tree)- black plastic for cable retainer openings
46110	Poster- C-1
45330	Press arm adjustment lever- (does not include grip #50830)
47160	Press Arm/Handle Assembly #21
45320	Press Latch Link Bar (painted black)- for press adjustment handle
47570	Press Pin Bar- formed, for press rack adjustment (notches- uses 2 #47620)
47190	Press Rack Adjust/Adjustment Plate (cam with notches) #17
47220	Press Support Post- L-shaped #20
46060	Pulley- 3.5 Inch
10580	Pulley- 4.5-inch
20660	Retainer- for cable at top of weight stack #29
46720	Retainer- for cable for light/160# weight stack #29
46090	Roll Pin- .313 DIA X 2 for C-1 leg developer- pressed through small stut & cam <comment>
27910	Roll Pin- 5/32D X 7/8L- swivel pulleys, b/fly pawls, leg developer strut, etc.
47820	Safety Tread- non-skid- 8 X 17 Inches for C-1 calf block
47350	Screw- S.M. #10 X 3/8 for C-1 shrouds (12 needed)
46130	Screw/Bolt- black OHP 1/4-20X2 for C-1 butterfly arm pads
46430	Seat Adjust Small- bench
53600	Selector Pin- short version
20630	Selector Shaft- for 210-pound weight stacks (20 hole) #27
46700	Selector Shaft- for light/160# weight stack (15 hole) #27
18110	Shaft- .05 DIA used on bench
46070	Shaft Retainer- (obsolete, replaced with #47620)
17750	Shaft Retainer- .5 shaft (large) for most shafts
47620	Shaft Retainer- 1/4 shaft .56 DIA for press adjust bar/stop (rack notches)
47290	Single Moving Pulley assembly- 3½ inch with pulley (#10-butterfly cable)
60510	Single Moving Pulley assembly- 4½ inch with pulley (#7-press cable)
45200	Single Moving Pulley bracket only- 3½ inch w/o pulley (#10-b/fly cable)
60500	Single Moving Pulley bracket only- 4½ inch without pulley (#7-press cable)
15800	Spacer- .615 X .25 X .375L nylon for D-handle
16520	Spacer- .81 X .52 X .5 nylon for guide rods
53990	Spring- both sides current version squat attachment latches (9/00)
28200	Spring- butterfly arm pawl
27900	Spring- ext. 1.25FL used on leg developer and in press handle <comment>
17930	Spring Pin- .25 X 2.75 for lat/leg hold down & press handle
54010	Spring Pin- 5/32 X 1-1/4 for current version squat latch (9/00)
41540	Spring Pin- used on original version squat latch
50680	Spring- squat latch ORIGINAL versin LEFT-side (modified)
50690	Spring- squat latch ORIGINAL versin RIGHT-side (modified)
41430	Squat Attachment- left-side
41440	Squat Attachment- right-side
C1BSOK	Squat Option Kit- Black
C1SSOK	Squat Option Kit- Silver
C1WSOK	Squat Option Kit- White
46660	Strut- large for C-1 leg developer (curved)- between small strut & roller/channel
46200	Strut- main for seat back of bench
46550	Strut- small for C-1 leg developer <comment>
28040	Tie- 4 inch plastic

Vectra C-1 Part Numbers and Prices

Vectra C-1	
Part #	Part Description
26100	Top Plate (original)- weight stack #26
49090	Touch-Up Paint- Black bottle
20800	Touch-Up Paint- Black can
49100	Touch-Up Paint- Silver bottle
15520	Touch-Up Paint- Silver can
49080	Touch-Up Paint- White bottle
20790	Touch-Up Paint- White can
22050	Trim Strip- for gussett- 2 pieces (generic number- not for specific location)
18330	Tube Closure/End Cap- ½ X 1½ BLUE for adjustment levers
53940	Tube Closure/End Cap- 1 inch round for current squat attachments (9/00)
15780	Tube Closure/End Cap- 1 X 2 X 10-14GA where bench back rests in decline
39080	Tube Closure/End Cap- 1.5 X 3 X 14GA for top of press support post
42250	Tube Closure/End Cap- 1.75 inch for end of press handle
13100	Tube Closure/End Cap- 1½ X 14 GA for bench and butterfly arm
13090	Tube Closure/End Cap- 2 X 2 X 14GA for bottom of press support post
51330	Tube Closure/End Cap- round single piece closure/retainer for foam rollers
46990	Tube Closure/End Cap, blue, round for leg developer
15810	Tube Connector- 1/4-20 X 3/4 threaded insert for D-handle
11340	Tube Connector- 5/16-18 X 1" threaded insert for guide rods
47260	Upholstery- arm pad butterfly station- left-side #2
47250	Upholstery- arm pad butterfly station- right-side #1
29230	Upholstery- seat back bench #14
59200	Upholstery- seat back butterfly station #5
43240	Upholstery- seat bottom butterfly station #3
43210	Upholstery- seat bottom bench #15
47410	Upholstery set- complete C-1
46970	Washer- .688 X .39 X .03 black nylon for C-1 bench
42240	Washer- 3/8 blk SAE flat, for some old-style frame bolts OBSOLETE
12620	Washer- 7/8-16X1/2X14GA used in main housing
15910	Washer- finishing for D-handle and butterfly arm pads
26130	Washer- neoprene bumper for top plate- standard #28
17950	Washer- nylon for leg developer between struts where they join
29600	Washer- retainer for foam rollers OBSOLETE (replaced with 51330)
13750	Washer/Bushing- for butterfly arms/cams and press arm shaft (use w/#12340 cotter)
47090	Weight Plate- box of five original 10 pound plates #25
17021	Weight Plate- original 10 pound
47080	Weight Stack Hardware Kit- 160 pound- standard for C-1
25980	Weight Stack Hardware Kit- 210 pound- optional for C-1
16UG21	Weight Stack Upgrade- to 210# from 160#