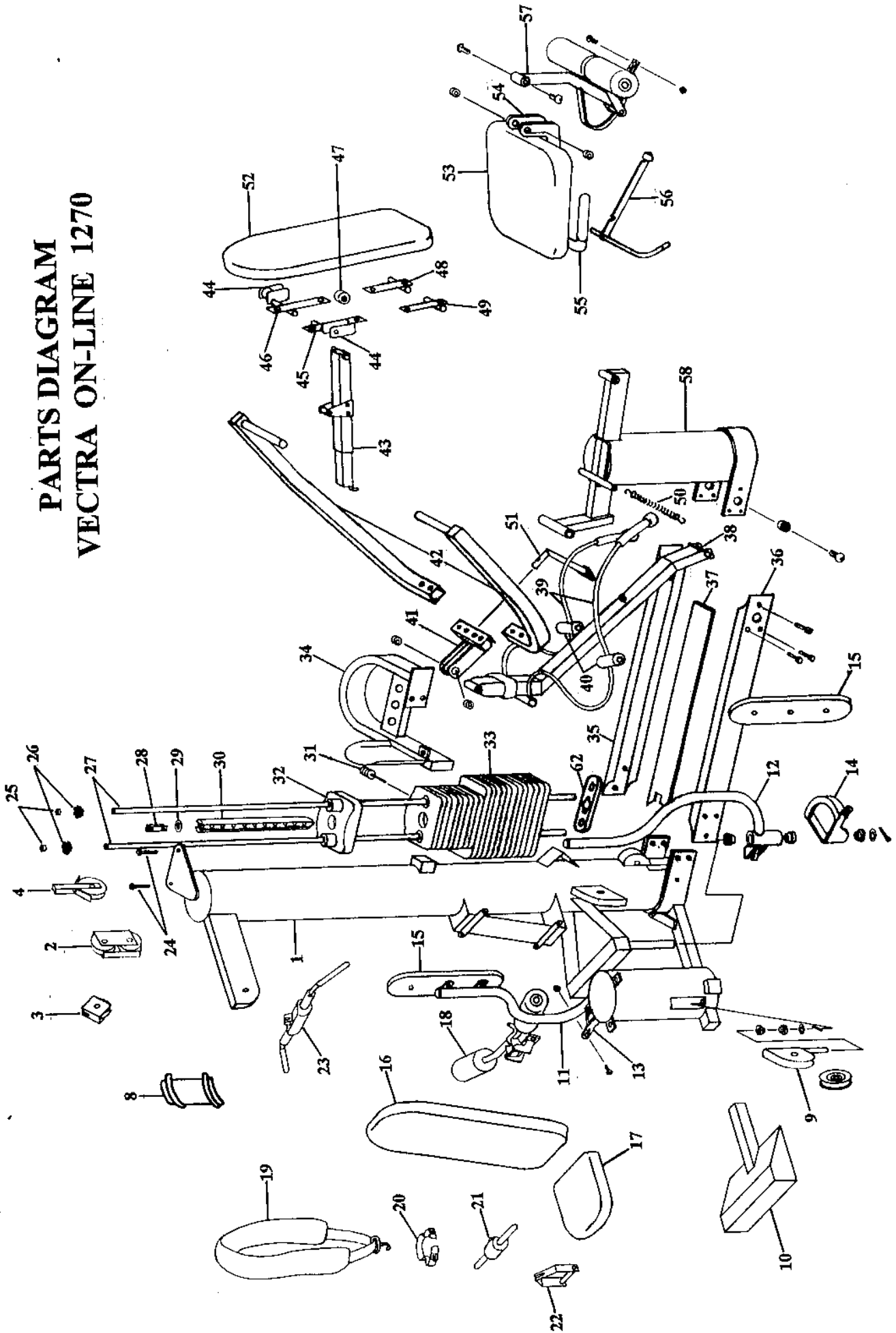


# PARTS DIAGRAM VECTRA ON-LINE 1270



# PARTS LIST

## VECTRA ON-LINE 1270

ITEM	PART#	DESCRIPTION	QTY	ITEM	PART#	DESCRIPTION	QTY	
1	19600	Main Column Assembly	1		13740	Lock Nut, 1/4-20 Hex	1	
	19200	Main Column Weldment	1		14500	Screw, 1/4-20 x .5 PHP	1	
	10580	Pulley	8	14	28990	Bumper, Butterfly Cam	1	
	10600	Locking Nut, 3/8-16 Hex	5		28920	Left Butterfly Cam Assembly	1	
	12620	Machine Bushing, 7/8 x 1/2	1		28790	Left Butterfly Cam Weldment	1	
	12760	Screw 3/8-16 x 1.75 Hex	7		11450	Bronze Bushing	1	
	13090	Tube Closure, 2 x 2	2		13740	Lock Nut, 1/4-20 Hex	1	
	13650	Cable Splios Clip	1		14500	Screw, 1/4-20 x .5 PHP	1	
	13740	Nut, 1/4-20 Hex 2-way Lock	1	15	28990	Bumper, Butterfly Cam	1	
	14180	Double Moving Pulley Assembly	2		16460	Butterfly Arm Pad Assembly	2	
	2	10580	Pulley	2		16470	Butterfly Arm Pad	1
		10600	Locking Nut, 3/8-16 Hex	2		15890	Screw 1/4-20 x 1.25	3
		12760	Screw 3/8-16 x 1.75 Hex	2		15910	Finishing Washer, Black Nylon	3
20000		Double Moving Pulley Bracket	2		16520	Spacer, .81 OD x .52 ID x .5	2	
3	14190	Single Moving Pulley Assembly	1	16	29280	Butterfly Seat Back	1	
	10580	Pulley	1		17	19670	Butterfly Seat Bottom	1
	10600	Locking Nut, 3/8-16 Hex	1	18	41800	Adjustable Lat Hold Down Assy.	1	
	12760	Screw 3/8-16 x 1.75 Hex	1		41850	Adj. Lat Hold Down Weldment	1	
4	13570	Single Moving Pulley Bracket	1		10340	Foam Roller, 4 x 7 x .75 Hole	2	
	27990	Christmas Tree Clip	1		29600	Roller Pad Retainer Washer	2	
	14200	Adjustable Pulley Assembly	1		13110	Tube Closure 1" Dia.	2	
	10580	Pulley	1		18330	Tube Closure 1/2 x 1 1/2 Blue	1	
	10600	Locking Nut, 3/8-16 Hex	1		17930	Spring Pin .25 x 2.75 Black	1	
	12760	Screw 3/8-16 x 1.75 Hex	1		21920	Screw 1/4-20 x 1.25 Hex	2	
	11600	Adjustable Pulley Bracket	1	19	27900	Extension Spring 1.25 Long	1	
	14210	Screw 3/8-16 x 4.00 Hex	1		19570	Squat Belt Assembly	1	
	14500	Screw 1/4-20 x 0.5 PHP	1	20	13280	Leg Strap Assembly	1	
	17160	Cable Tie	2		27520	O-Ring 3/4 ID	1	
5	18560	Cable Assembly, 1270 HP/Stack	1	21	14320	Curly Bar Assembly	1	
6	18570	Cable Assy, 1270 Press/ M. Column	1		11760	Foam Grip, 7/8 ID x 8"	2	
7	18580	Cable Assy, 1270 Low Pulley/Leg	1		12800	Curly Bar Weldment	1	
8	26180	Access Door Assembly	2		22110	Spring Loaded Plunger	1	
	20160	Notched Access Door Assembly	1	22	23330	Attachment Bar Pad	2	
9	25850	Low Pulley Weldment	1		14360	D-Handle Assembly	1	
	24160	Pulley Pivot Bushing	2	14340	Formed D-Handle	1		
	27910	Roll Pin 5/32 Dia x 7/8 Long	1	14330	D-Handle Grip	1		
10	25900	Calf Block Assembly	1		15800	Spacer, .605 OD x .25 ID x .375	2	
	25780	Calf Block Weldment	1		15810	Tube Connector 1/4-20 x 3/4	2	
	20120	Notched Safety Tread	1		15890	Screw 1/4-20 x 1.25	2	
	11	37790	Rrght Butterfly Arm Assembly	1	23	15910	Finishing Washer, Black Nylon	2
28820		Right Adj. Butterfly Arm Weldment	1	14770		Lat Bar Assembly	1	
11450		Bronze Bushing	2		11750	Lat Bar Weldment	1	
13100		Tube Closure 1.5" Dia.	1		11760	Foam Grip, 7/8 ID x 8	2	
27510		O-Ring 1.375" Dia.	1		13240	Foam Grip, 7/8 ID x 4	2	
27910		Roll Pin 5/32 " Dia. X 7/8 "	1		22110	Spring Loaded Plunger	1	
28151		Plated Pawl, Butterfly Arm	1		23330	Attachment Bar Pad	2	
28200		Spring, Plated Pawl	1	24	17080	Screw 5/16-18 x 1.5 Hex	2	
28930		Dowel Pin .25 Dia x 1 L	1		16520	Spacer, .810 OD x .520 ID x .5	2	
28980		Label, B'fly Arm "Arc"	1	26	11340	Tube Connector, 5/16-18 x 1 Tube	2	
42220		Tube, Pawl Bumper	1	27	22620	Guide Rod, 79.70"	2	
12		37890	Left Butterfly Arm Assembly	1	28	20660	Top Plate Cable Retainer	1
		28810	Left Adj. Butterfly Arm Weldment	1	29	26130	Top Plate Washer	1
	11450	Bronze Bushing	2	30	20630	Selector Shaft	1	
	13100	Tube Closure 1.5" Dia.	1	31	20760	Selector Pin Assembly	1	
	27910	Roll Pin 5/32 " Dia. X 7/8 "	1	32	26100	Top Plate Assembly	1	
	28151	Plated Pawl, Butterfly Arm	1		26070	Top Plate	1	
	28200	Spring, Plated Pawl	1		20620	Werght Plate Bushing	4	
	28930	Dowel Pin .25 Dia x 1 L	1	33	29190	Screw 3/8-16 x 3 Hex	1	
	28980	Label, B'fly Arm "Arc"	1		17021	Vectra 10 LB Weight Plate	20	
	42220	Tube, Pawl Bumper	1					
13	28910	Right Butterfly Cam Assembly	1					
	28800	Right Butterfly Cam Weldment	1					
	11450	Bronze Bushing	1					

ITEM	PART#	DESCRIPTION	QTY
	20620	Weight Plate Bushing	2 ea.
34	19360	Weight Stack Support Weldment	1
35	16730	Left Frame Member	1
36	18710	Right Frame Member	1
37	19510	Floor Piece	1
38	20060	Press Pivot Extension Assembly	1
	19070	Press Pivot Extension Weldment	1
	13110	Tube Closure, 1 " Dia. Black	2
	20290	Bushing, Blue Plastic	2
	20300	Press Arm Bumper	1
	22960	Extension Spring, 8.4 x 1	1
	13790	Screw 1/2-13 x 1 Button Head	1
39	20260	AB/Row Rope Assembly	2
	20190	Foam Grip, AB	2
	13100	Tube Closure, 1.5 Dia.	2
	20281	Rope, .312 Dia x 4.57 Ft.	2
	25130	Bulb, Rope Termination	2
40	25930	Row Rope Handle Assembly	2
41	19640	Press Arm Pivot Assembly	1
	19080	Press Arm Pivot Weldment	1
	11920	Freeway Bearing	2
	27490	"APECS" Decal, Dry-App.	1
42	19690	Press Arm Yoke Assembly	2
	19060	Half Yoke Press Weldment	1 ea.
	20890	Grip 7/8 ID x 9	1
	15780	Tube Closure 1 x 2	1
43	20040	Adjustable Seat Assembly	1
	19880	Adj. Seat Tube Housing Weldment	1
	26330	Plated Seat Adjustment Rack	1
	19800	Grooved Shaft 5/16 x 2.740	1
	17990	E-Ring 5/16 x .035 Thk	2
	19990	Dual Torsion Spring	1
	20050	Screw 3/16-18 x .75 Hex	2
	23320	Grip, Adjustable Seat	1
44	25790	Dual Carriage Roller Bracket	2
45	19960	Right Pivot Pulley Weldment	1
46	19970	Left Pivot Pulley Weldment	1
47	19530	Carriage Roller 3/8 " ID	2
48	19940	Left Seat Back Pivot	1
49	19040	Right Seat Back Pivot	1
50	22960	Extension Spring 8.4 "	1
51	34790	Press Cable Pivot Bar	1
	19050	Press Cable Pivot Bar Weldment	1
	11410	Screw 3/8-16 x .75 Hex	1
	13740	Lock Nut 1/4-20 Hex	1
	14500	Screw 1/4-20 x .5 Hex PHP	1
52	29230	Incline Bench Seat Back	1
53	17110	Leg/AB Seat Bottom	1
54	10160	Leg Machine Mount Weldment	1
	11920	Freeway Bearing	2
55	15960	Seat Handle Weldment	1
	11760	Foam Grip 7/8 ID x 8 "	2
56	11020	Seat Arm Lock Weldment	1
	17750	Shaft Retainer, .5 Dia. Nickel	1
	18330	Tube Closure 1/2 x 1 1/2 Blue	2
57	22970	Adjustable Leg Developer Assembly	1
	22920	Adjustable Leg Developer Weldment	1
	13790	Screw 1/2-13 x 1 Button Head Blk	2
	10340	Foam Roller, 4 x 7 x .75 Hole	2
	29600	Roller Pad Retainer Washer	2
	13110	Tube Closure 1 " Dia.	2
	13740	Lock Nut 1/4-20 Hex	1
	14500	Screw 1/4-20 x .5 PPHP	1
	22910	Leg Machine Bumper	1
	23090	Spring Pin .313 x 2.25	1

ITEM	PART#	DESCRIPTION	QTY
58	19620	Press/Ab/Leg Column Assembly	1
	19100	Press/Ab/Leg Column Weldment	1
	10580	Pulley 4.5 " Dia x 1" Wide x .39 ID	1
	10600	Locking Nut 3/8-16 Hex	1
	11920	Freeway Bearing	2
	12760	Screw 3/8-16 x 1.75 " Hex	1
	15780	Tube Closure 1 x 2	1
59	14070	Leg Cable Assembly	1
60	28840	Butterfly Cable Assembly	1
61	19700	1270 Hardware Kit	1
	11410	Screw 3/8-16 x .75 Hex	11
	12340	Cotter Pin 3/16 x 1.5 "	2
	13750	Machine Bushing 1/2 x 1	2
	13790	Screw 1/2-13 x 1" Button Head Blk	6
	14500	Screw 1/4-20 x .5 PPHP	1
	18090	Screw 3/8-16 x 1" Hex	2
	20110	Screw 3/8-16 x 1.5" Button Head Blk	4
	20850	Screw 1/4-20 x .75 Hex	15
	26310	Plated Pivot Bar, Leg Mount	1
62	20750	Vectra Weight Stack Bumper	1
63	25210	Label, Large Vectra 1270	1
64	28010	Label, Warning: ...	1
65	28020	Label, Manufactured By: ...	1
66	22230	Label, Vectra Weight Plate Numbers 1	1
67	26090	Instruction Manual, Vectra 1270	1
68	26110	Poster, Vectra 1270	1

## Vectra On-Line 1270 Part Numbers and Prices

Vectra On-Line 1270	
Part #	Part Description
57900	Access Door (painted)
20160	Access Door- notched, used at base of main column
2.5AO	Add-on plate- 2.5 pound
5.0AO	Add-on plate- 5 pound
14200	Adjustable Pulley assembly- with pulley (adjustment bolt #14210 is separate)
11600	Adjustable Pulley Bracket- no pulley or hardware
20060	A-Member/Rope assembly- without brackets and wheels
20690	A-Member/Rope/Ab bracket- assembly includes brackets and wheels
11920	Bearing- freeway for most pivot points, used with #13790 button head bolts
21920	Bolt- 1/4-20 X 1.25 hex for lat hold down
13790	Bolt- 1/2-13 X 1 button head for most freeway bearing pivot points
20850	Bolt- 1/4 X 20 X .75 for mounting upholstery
22100	Bolt- 3/8-16 x 1/2 blk for frame <b>OBSOLETE</b> (replaced with #55870)
55870	Bolt- 3/8-16 x 1/2 blk hex with flange for frame
11410	Bolt- 3/8-16 X 3/4 blk hex for frame <b>OBSOLETE</b> (replaced with #55860)
55860	Bolt- 3/8-16 X 3/4 blk hex with flange for frame
18090	Bolt- 3/8-16 X 1 black hex for 1270 stack support
23300	Bolt- 3/8-16 X 1.25 to attach some pulleys (metal on 1 side)
52910	Bolt- 3/8-16 X 1.5 for columns, pulley assemblies (double, single, adj., etc.)
12760	Bolt- 3/8-16 X 1.75 for most pulley assemblies & column caps
29190	Bolt- 3/8-16 X 3 for top plate
14210	Bolt- 3/8-16 X 4 for most adjustable pulleys
20110	Bolt- 3/8-16 X 4.5 button head for press yokes/pivot
20050	Bolt- 5/16-18 X .75 black used in seat back adjust
17080	Bolt- 5/16-18 X 1.5 for guide rod threaded inserts
22590	Bolt- 7/16-14 X 1.75 SHC for Ivanko top plate using aluminum shaft
13850	Bolt- slotted for old Ivanko version top plate (uses 17340 nut) (not in Encore)
19970	Bracket- dual carriage left for rope on back of bench seat back
19960	Bracket- dual carriage right for rope on back of bench seat back
20000	Bracket- for double-moving pulley (2 required)
25790	Bracket- for dual carriage roller bracket ends
25150	Bulb- for rope assembly grip end
20750	Bumper- bottom of weight stack <b>OBSOLETE</b> (replaced with two each #57670)
28990	Bumper- for butterfly cam & leg/ab seat rest
20300	Bumper- for press arm on A-member
42220	Bumper Tube- for butterfly arm pawl
57670	Bumper weight stack ( <b>two required</b> )- replaces single piece 20750
54130	Bumper/Plug- new 3/4 inch stem version for b/fly cam and calf/row block
11450	Bushing- bronze for butterfly cams
43780	Bushing- nylon for butterfly arm
24160	Bushing- nylon for pivot pulley
20290	Bushing- nylon, for A-member rope
20620	Bushing- weight plate (all) & top plate
37890	Butterfly Arm assembly- left-side
37790	Butterfly Arm assembly- right-side for
28920	Butterfly Cam assembly- left-side
28910	Butterfly Cam assembly- right-side
28840	Cable- butterfly station- 70.84" long
14020	Cable- butterfly station pre-ARC system- 76.84" long (5.5" stripped on each side)
18560	Cable- high pulley- 153.2" long
14070	Cable- Leg extension- 57.5" long (12.5" stripped)
18580	Cable- low pulley- 143.31" long (10.0" stripped)
18570	Cable- press station- 90.0" long (3.0" stripped)
46720	Cable Retainer- for light/160# weight stack
13640	Cable Retainer- for original version leg developer and butterfly cam
42170	Cable Set- complete, concluding version

## Vectra On-Line 1270 Part Numbers and Prices

Vectra On-Line 1270	
Part #	Part Description
50650	Cable Set- complete, original version with #14020 used before ARC b/fly
13650	Cable Splice Clip- where 2 cables come together- uses #27990 plug
17160	Cable Tie
25900	Calf Block assembly 1270
25890	Calf Block Extension Tube- for older versions only
19530	Carriage Roller- used with ab ropes
12340	Cotter Pin- 3/16 X 1.5 inch for butterfly arms/cams (used w/#13750 washer)
63540	Curl Bar assembly- (straight) BLACK only
27480	Decal/label- APECS for press arm pivot
62000	Handle- Single Grip 8-inch strap (replaces D-Handle)
14180	Double Moving Pulley assembly- with pulleys & hardware
17990	E-ring- for seat adjust shaft
19510	Floor Piece/Board
10340	Foam Roller
16730	Frame Member- left side 1270, 45.32 inches with bearing
18710	Frame Member- right side 1270, 45.32 inches with bearing
13240	Grip- 4 Inch for inner section of lat bar
11760	Grip- 7/8 I.D. X 8 inch- standard- <b>REPLACED</b> with #61890 "SS Cap" version
61890	Grip- 8-inch "SS Cap" version- replaces #11760
20890	Grip- 7/8" I.D. X 9 inch for press yoke
47580	Grip- 8" for row arm
23320	Grip- for 1270 seat adjust
20190	Grip- for ab ropes- 1270
22620	Guide Rods- 79.70" does NOT include tube connector, spacer or bolt
25930	Handle- for chest supported row (rope)- 1270
19700	Hardware/Bolt Kit- 1270
19880	Housing- seat adjustment tube
28020	Label- "Manufactured by..."
20860	Label- "Vectra" 8 inch
28010	Label- "Warning..." for wt. guard
60600	Label- wt. stack number sheet standard stacks -REVISED 12/04 <comment>
27490	Label/Decal- "APECS" for 1270 press pivot assembly
25210	Lable- large "On-line 1270"
62640	Lat Bar assembly
41800	Lat Hold Down- deluxe version
48350	Leg Developer assembly with foam rollers OBSOLETE
10160	Leg Developer Mounting Bracket (banana)
48330	Leg Developer w/o rollers OBSOLETE
54090	Leg Developer- current version with contoured leg pads
19620	Leg/Ab Column/Station assembly- 1270
16710	Leg/Ab Seat Bottom assembly- w/upholstery, handle, banana <comments>
16720	Leg/Ab Seat Handle/Lock assembly- with lock/latch
17110	Leg/ab station seat bottom
54050	Leg/Ankle Strap
40210	Loctite 242- 50 ML
25850	Low Pulley Bracket- 4½ Inch without pulley and hardware
19600	Main Column assembly (no column cap available)
26090	Manual- 1270
17340	Nut- ½-13 hex jam used with original slotted top plate bolt
13740	Nut- 1/4-20
10600	Nut- locking 3/8-16 Hex for most pulley assemblies
27520	O-Ring- .75 ID for leg strap and ab strap
27530	O-Ring- 1 ID X 1/8 W neoprene for ORIGINAL selector pins
27510	O-Ring- 1.375 ID for butterfly arm
57570	Padding- center of curl and lat bar, etc. (1 per bar)- replaces 23330
23330	Padding- center of curl and lat bar, etc. <b>Obsolete</b> - replaced with 57570

## Vectra On-Line 1270 Part Numbers and Prices

Vectra On-Line 1270	
Part #	Part Description
28151	Pawl- for butterfly arms
28930	Pin/Dowel- .25 DIA X 1 for butterfly arm pawl
26310	Pivot Bar- for leg/ab station seat assembly (uses #14500 screw)
34790	Pivot Bar- for press cable 1270
19040	Pivot weldment- for dual carriage left- 1270
19940	Pivot weldment- for dual carriage left- 1270
27990	Plug (Christmas tree)- black plastic for cable retainer openings
26110	Poster- 1270 <b>(Out Of Stock send 1250)</b>
19640	Press Arm Pivot assembly
19690	Press Yoke assembly (2 required)
10580	Pulley- 4.5-inch
41880	Release Pawl/Lever- for adjustable lat hold down
20660	Retainer- for cable on leg developer and top of weight stack
48340	Roll Pin- 5/16D X 1.25 for standard & current version leg developer
27910	Roll Pin- 5/32D X 7/8L for swivel pulleys, butterfly arm pawls, etc.
20260	Rope assembly- for A-member
20010	Rope retainer- rest 1250 for rope grips (also use on original accessory rack)
20120	Safety Tread- notched for calf/row block
14500	Screw- 1/4-20 X .50 phillip for seat pivot bar
15890	Screw- 1/4-20 X 1.25 OPH for b/fly arm pads and D-handle
19790	Seat Adjust Lever- left
19780	Seat Adjust Lever- right
26330	Seat Adjust Rack (chrome plated)
20040	Seat Adjustment assembly
11020	Seat Arm Lock weldment
15960	Seat Handle weldment
20760	Selector Pin- ORIGINAL Vectra Precision plates <b>ONLY OUT OF STOCK</b>
53600	Selector Pin- short (4-3/8 in shaft) ORIGINAL Vectra Precision <b>10 LBS plates ONL</b>
22550	Selector shaft- aluminum, used w/lvanko top plate (requires 22590 bolt)- see Ken
46700	Selector Shaft- for light/160# weight stack (15 hole)
20630	Selector Shaft- standard for 210 pound weight stacks (20 hole)
18110	Shaft- .05 DIA used on bench
19800	Shaft- grooved for seat adjust 1270
17750	Shaft Retainer- .5 shaft (large) for most shafts
60510	Single Moving Pulley assembly- with pulley & hardware
60500	Single Moving Pulley bracket- no pulley & hardware
15800	Spacer- .615 X .25 X .375L nylon for D-handle
16520	Spacer- .81 X .52 X .5 nylon for guide rods
28200	Spring- butterfly arm pawl
19990	Spring- dual torsion for 1270 seat adjust
22960	Spring- extension 8.4 x 1" dia. for press station weight reduction
17930	Spring Pin- .25 X 2.75 for lat/leg hold down & press handle
19570	Squat Belt (no longer available)
28040	Tie- 4 inch plastic
26100	Top Plate (original)- weight stack
49090	Touch-Up Paint- Black bottle
20800	Touch-Up Paint- Black can
49100	Touch-Up Paint- Silver bottle
15520	Touch-Up Paint- Silver can
49080	Touch-Up Paint- White bottle
20790	Touch-Up Paint- White can
18330	Tube Closure/End Cap- 1/2 X 1 1/2 BLUE for adjustment levers
15780	Tube Closure/End Cap- 1 X 2 X 10-14GA used on press arms/yokes
13110	Tube Closure/End Cap- 1" DIA X 14GA for A-member
13100	Tube Closure/End Cap- 1 1/2 X 14 GA
38900	Tube Closure/End Cap- 1-inch round

## Vectra On-Line 1270 Part Numbers and Prices

Vectra On-Line 1270	
Part #	Part Description
13090	Tube Closure/End Cap- 2 X 2 X 14 GA for main column at butterfly station
51330	Tube Closure/End Cap- round single piece closure/retainer for foam rollers
15810	Tube Connector- 1/4-20 X 3/4 threaded insert for D-handle
11340	Tube Connector- 5/16-18 X 1" threaded insert for guide rods
19740	Tube- used with seat back adjustment grip
16460	Upholstery- arm pad butterfly station (2 required)
16470	Upholstery- butterfly arm <b>main pad</b> (only)
16450	Upholstery- butterfly arm pad <b>backing</b> (only)
29230	Upholstery- seat back bench
59200	Upholstery- seat back butterfly station
19670	Upholstery- seat bottom butterfly station
42310	Upholstery Set- complete 1270 and 1250
42240	Washer- 3/8 blk SAE flat, for some old-style frame bolts <b>OBSOLETE</b>
12620	Washer- 7/8-16 X 1/2 X 14GA
17950	Washer- black nylon
15910	Washer- finishing for D-handle and butterfly arm pads
26130	Washer- neoprene bumper for top plate- standard
29600	Washer- retainer for foam rollers <b>OBSOLETE</b> (replaced with 51330)
62850	Washer/Bushing- 1.5 X 1 X 14 for b/fly arms/cams (use w/#12340 cotter) Old# 137!
17021	Weight Plate- 10 pound
17041	Weight Plate- 5 pound- Obsolete