

||||||| CIRCULAR VIBRATORS – MODEL RANGE CD |||||

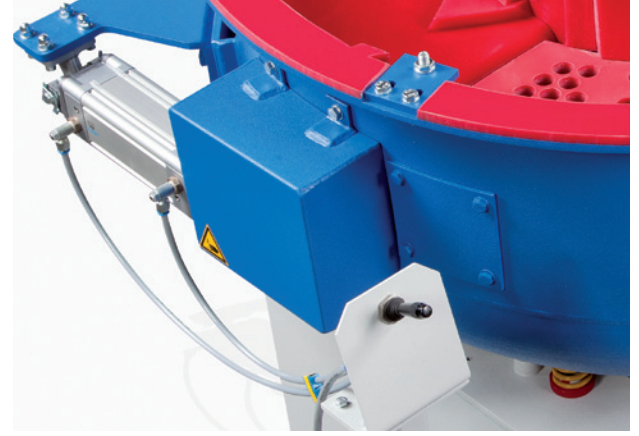


TROWAL SURFACE FINISHING Circular vibrators – model range CD

STURDY AND COST EFFICIENT DESIGN!

Trowal circular vibrators are universal finishing machines which can be utilized for treating a wide range of different parts. The CD machines are employed for aggressive deburring and radiusing (edge breaking) as well as for high gloss polishing of delicate work pieces, i.e. their applications range from aggressive cut down all the way to generating pre-plate surface finishes.

All Trowal circular vibrators can be utilized as cost efficient “stand-alone” units. However, they can be easily automated allowing their integration into interlinked, fully automatic manufacturing systems. The CD circular vibrators are equipped with an internal separation system consisting of a manual or pneumatic separation flap and an easy-to-exchange built-in separation screen. Main characteristics of the Trowal CD vibrators are their robust, sturdy design and their competitive pricing. Customers can choose from 7 different models with work bowl volumes ranging from 110 liters up to 1,200 liters.



The numerous technical features of the CD vibrators make them truly universal surface finishing machines that can be used for a wide range of applications:

- Work bowl with flat bottom
- Ideal for processing of delicate parts
- The large opening between work bowl bottom and separation flap allows the treatment of big parts without the risk of entanglement
- Extra long separation screens ensure efficient separation of the media from the parts
- Even big, flat parts can be quickly separated without the risk of media carry-out
- Optional pneumatic separation flap (standard for models CD 400, 600 and 1200)
- Accessories
 - Noise dampening lids
 - Various types of compound dosing systems
 - Magnetic separators
 - Triangular wedge profile
 - Various types of drying equipment, etc.

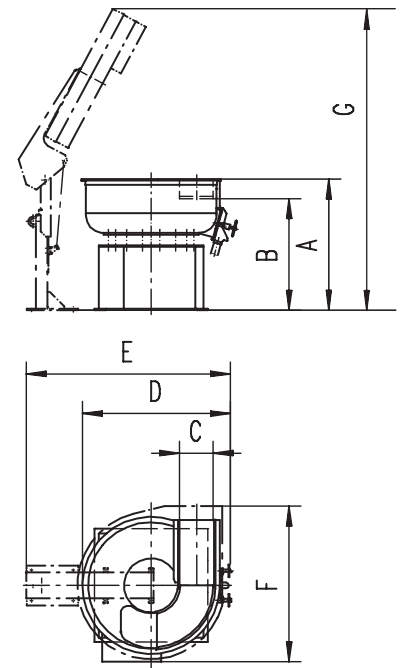


	CD 110	CD 200	CD 300	CD 400	CD 600	CD 800	CD 1200
Gross volume of work bowl (l)	110	200	350	420	600	800	1,200
Usable volume (l)*	73	92	170	251	364	528	748
Max. work piece dimension (mm)**	160	180	220	250	280	300	360
Total screen area (cm ²)	1,632	2,097	3,434	4,398	5,472	6,299	7,739
Drive power at 1,500 (RPM)	1.0 kW	1.0 kW	2.6 kW	2.6 kW	4.0 kW	6.0 kW	11.0 kW
Speed range (RPM)	1,000/ 1,500	1,000/ 1,500	1,000/ 1,500	1,000/ 1,500	1,000/ 1,500	1,000/ 1,500	***
Max. centrifugal force (N)	17,540	18,710	20,360	33,680	72,980	99,877	138,470
Total weight, empty (kg)	427	516	731	923	1,400	1,950	2,484
Accessories							
Magnetic separator	MS 101x14	MS 101x14	MS 134x24	MS 134x24	MS 134x31	MS 134x31	MS 168x36
Vibratory driers	G 100	G 200	G 200	G 500	G 500	G 500	G 1000

*Part geometry, material and risk of nicking are important for the determination of the media/work piece ratio.
 Measured diagonally *Speed adjustable with frequency inverter, up to 1,500 RPM

CD	A	B	C	D	E	F	G
110	1,029	897	190	1,009	1,540	1,101	2,300
200	1,087	942	220	1,085	1,690	1,192	2,430
300	1,153	981	302	1,305	1,870	1,415	2,600
400	1,193	1,005	326	1,485	2,235	1,563	2,980
600	1,382	1,182	370	1,665	2,375	1,790	3,300
800	1,383	1,103	410	1,800	2,603	1,855	3,620
1200	1,460	1,169	457	2,108	2,840	2,100	3,800

Dimensions (in mm)



**WALTHER
TROWAL!**

Walther Trowal GmbH & Co. KG
 Rheinische Straße 35-37 | D-42781 Haan
 Tel. +49(0)2129-571-0 | Fax +49(0)2129-571-225
 info@walther-trowal.com | www.walther-trowal.com