



Architectural Slim Wall Pack

Features

- Sealed die-casting profile for outdoor applications
- Delivers 3600lm to replace 100W MH while power consumption is 30W only
- High efficacy of 120lm/W with perfect color rendering compared to HID *
- Multiple voltage either 120-277V or 347V are optional for USA and Canada
- Available with Type III photometry
- Built-in UL class 2 driver, optional for photocell
- UL and DLC pending

* Data based on 120-277V version.



Applications

- Security, pathway and perimeter lighting
- Building entryways and walkways



Specification

| | | |
|---------------------|---|-----------------|
| Specification/Model | SWP30W27V50KDPO | SWP35W34V50KDPO |
| Input Power | 30W | 35W |
| Lumens output | 3600lm | 3600lm |
| Efficacy | 120 lm/W | 103 lm/W |
| CRI | 72 | |
| Color Temperature | 5000K | |
| Input Voltage | 120-277VAC | 347VAC |
| Finish Color | Dark Bronze | |
| Lens | Polycarbonate (UL Recognized) (f1) Suitable for outdoor use with respect to exposure to Ultraviolet Light, Water Exposure and Immersion in accordance with UL 746C | |
| Mounting | Fits electrical box and wall mount directly | |
| Photocell | 120-277VAC (UL listed) 3/8"-18 long threaded nipple, 3-10 second time delay, Power Consumption: less than 2W | |

Ordering Guide

EXAMPLE: **SWP 30W 27V 50K D P0**

| Fixture Type | Power Consumption | Input Voltage | CCT | Finish | Photocell (Option) |
|--------------------|-------------------|---------------|-----------|---------------|-------------------------|
| SWP Slim Wall Pack | 30W 30Watts | 27V 120-277V | 40K 4000K | D Dark Bronze | P1 120V Photocell |
| | 35W 35Watts | 34V 347V | 50K 5000K | B Black | P0 120-277V Photocell |
| | | | | | Blank Without Photocell |

Note: 35W type is only available for 347V input voltage.

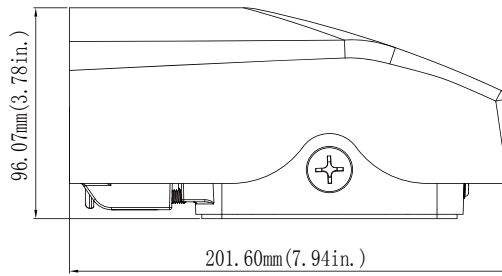
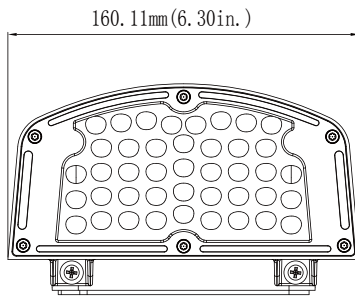
Ordering Information

| Ordering | Rated | Luminaire | Wattage | CCT | Initial | Luminaire | Rated | CRI | Power | Dimmable | Photocell | Certificate |
|-----------------|--------------|----------------|---------|------|------------|---------------|-----------|-----|--------|----------|-----------|-------------|
| Code | Voltage(VAC) | Type | (W) | | Lumens(lm) | Efficacy(lpw) | Life(hrs) | | Factor | | | |
| SWP30W27V40KD | 120-277V | Slim Wall Pack | 30 | 4000 | 3400 | 113 | 50000 | 72 | 0.9 | NO | NO | UL Pending |
| SWP30W27V40KDP1 | 120V | Slim Wall Pack | 30 | 4000 | 3400 | 113 | 50000 | 72 | 0.9 | NO | YES | UL Pending |
| SWP30W27V40KDPO | 120-277V | Slim Wall Pack | 30 | 4000 | 3400 | 113 | 50000 | 72 | 0.9 | NO | YES | UL Pending |
| SWP30W27V50KD | 120-277V | Slim Wall Pack | 30 | 5000 | 3600 | 120 | 50000 | 72 | 0.9 | NO | NO | UL Pending |
| SWP30W27V50KDP1 | 120V | Slim Wall Pack | 30 | 5000 | 3600 | 120 | 50000 | 72 | 0.9 | NO | YES | UL Pending |
| SWP30W27V50KDPO | 120-277V | Slim Wall Pack | 30 | 5000 | 3600 | 120 | 50000 | 72 | 0.9 | NO | YES | UL Pending |
| SWP35W34V40KD | 347V | Slim Wall Pack | 35 | 4000 | 3400 | 97 | 50000 | 72 | 0.9 | NO | NO | UL Pending |
| SWP35W34V40KDPO | 347V | Slim Wall Pack | 35 | 4000 | 3400 | 97 | 50000 | 72 | 0.9 | NO | YES | UL Pending |
| SWP35W34V50KD | 347V | Slim Wall Pack | 35 | 5000 | 3600 | 103 | 50000 | 72 | 0.9 | NO | NO | UL Pending |
| SWP35W34V50KDPO | 347V | Slim Wall Pack | 35 | 5000 | 3600 | 103 | 50000 | 72 | 0.9 | NO | YES | UL Pending |

Note: D* Dark Bronze finish color is inventory color, please consult factory for lead time if other color is needed.

Dimension

unit: inch/mm



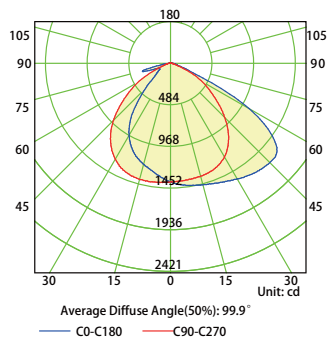
Energy Saving Replacement

| MESTER MODEL | Replacing |
|----------------|-----------|
| SWP30W27VXXKYY | 100W MH |
| SWP35W34VXXKYY | 100W MH |

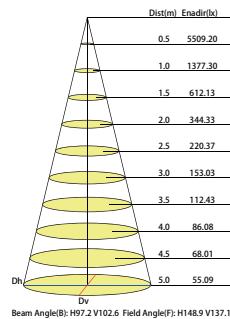
Photometrics

SWP30W27V50KD

Luminous Intensity Distribution Curve



Illuminance at a Distance



For more information please contact:

www.enduraliteLED.com Tel. (204) 222 6825 Fax.(888) 735 3522 Toll Free: 1-844-4-ENDURA
 18 Don Valley Parkway Winnipeg, Manitoba R2C-2Z2 Canada. Email: info@enduraliteled.com

MESTER LED LIMITED

3rd F, section B, Building A, Sunshine Industrial Park, Hezhou,
 Xixiang, Bao' an District, Shenzhen China.
 www.szmester.com

