

Urban Solar SLL340

Product Data Sheet



The Urban Solar **SLL340** is a pathway and parking lot lighting system featuring the flexibility and capacity to provide reliable lighting in a variety of urban environments.

Product Specifications

Solar Array

- Technology: Monocrystalline
- Power (Pmax): 340W
- Tilt: 0-60° in 10° increments

Battery

- Chemistry: Sealed lead acid AGM, non-spillable
- Capacity: 250Ah/3000Wh (2 batt)
- Nominal voltage: 12V
- Operating temp: -40°F to 176°F (-40°C to 80°C)

Luminaire

- Luminous Flux: 4,540 -17,720 lumens
- Consumption: 33W-150W options available
- Lighting efficiency: 134 lm/W (luminaire), 160lm/W (LED chip)

Controller

- Standard controller: Urban Solar ECM™ with real time clock, data logging, low voltage disconnect
- Optional functionality: Urban Solar cellular-based ECM Connect™ wireless control and monitoring

Enclosure

- System weight: 331 lbs
- EPA: 22.8 ft² (45° tilt)
- Environmental rating: Nema 3R
- Hardware: Security hardware on exposed parts
- Material: 10Ga aluminum
- Finish: Powder coat, any RAL color

Pole

- Dimensions: 20' x 6" x 0.188" galvanized steel pole, optional powder coat; 25' pole also available
- Fixation: Hurricane-rated mounting system

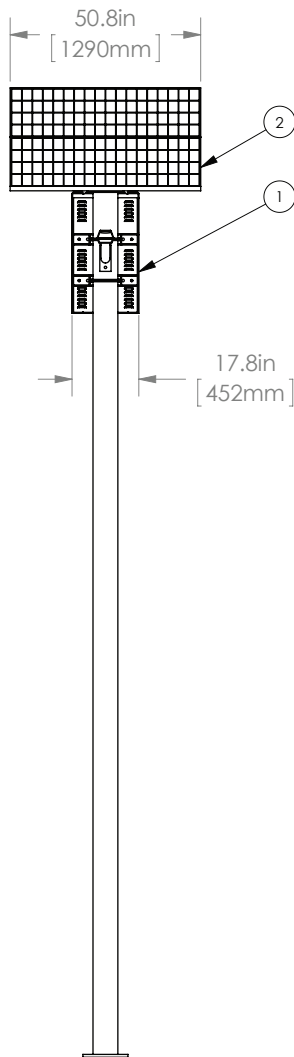
Product Specification (cont.)

Warranty

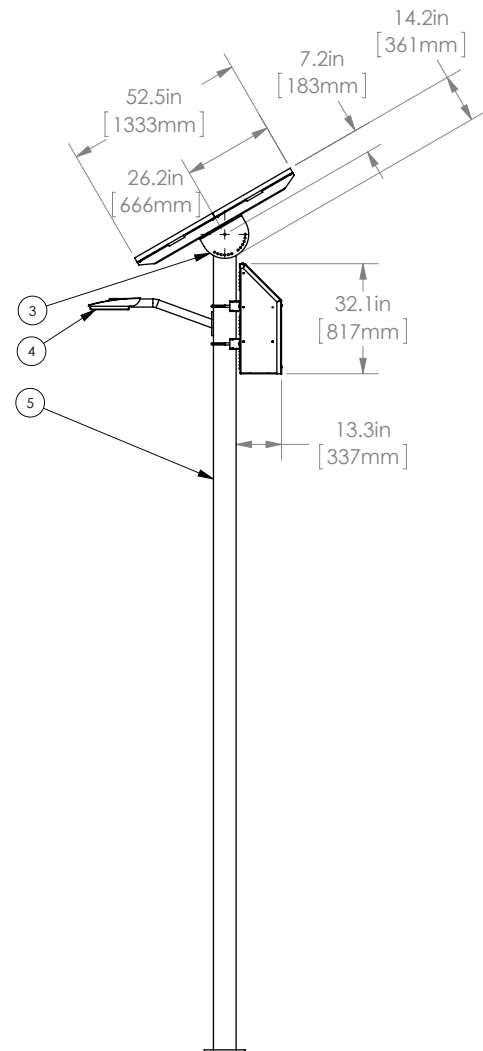
- System: 10 year system, 25 year panel warranty
- Battery: 5 year pro-rated warranty

Certification

- System certification: UL system-level listing
- Panel certification: Solar panels tested to UL1703 standard, including hail test



Parts and Dimensions



1. USC BB2 battery enclosure (also available with BB4)
2. Solar array
3. Adjustable top of pole mount with tilt adjustment in 10° increments - steel with powder coat finish
4. High efficiency LED luminaire on 2' mast arm typically mounted 2' from top of pole - EPA ~0.5ft²
5. Pole and light arm may be provided or sourced separately (6.625"x20' pole shown)



American made, UL Listed off-grid lighting and power solutions for safer, greener cities. **Call us and speak to an expert.**