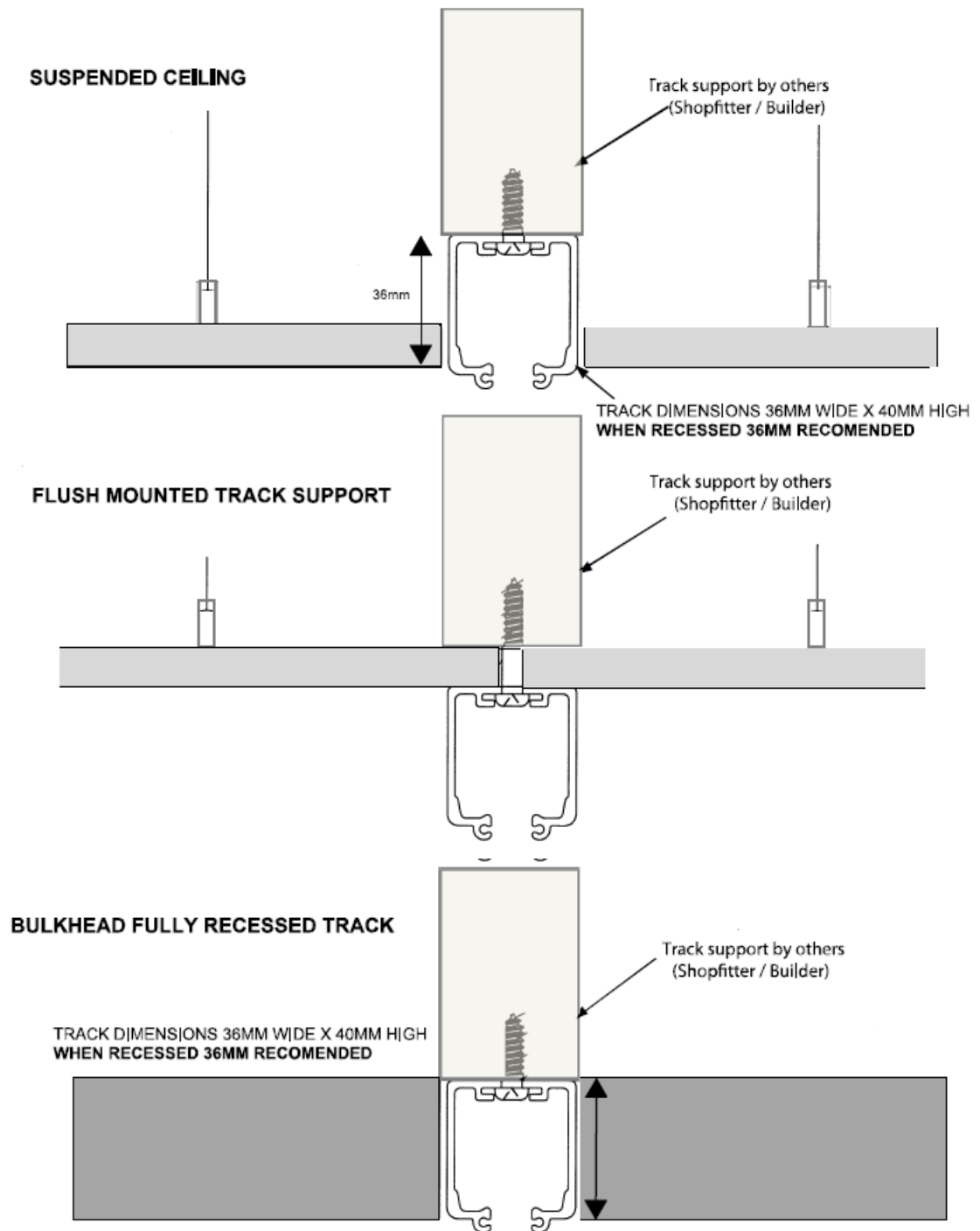


ARCO SIDE FOLD A150 & A300

Typical Track fixing and support options



Note: Any Gaps between Track and Track support will cause failure in operation and may void your warranty.

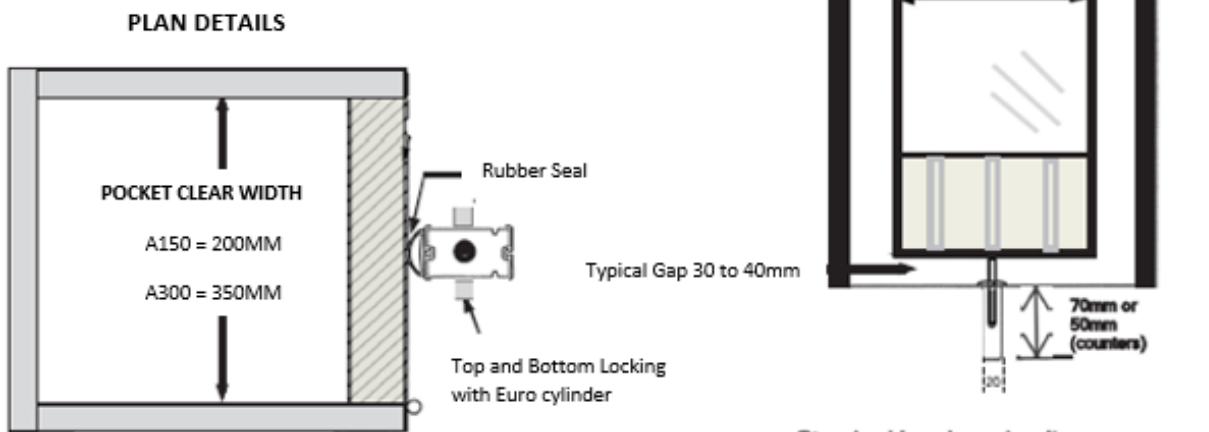
TECH SHEET A2

ARCO SIDE FOLD A150 & A300

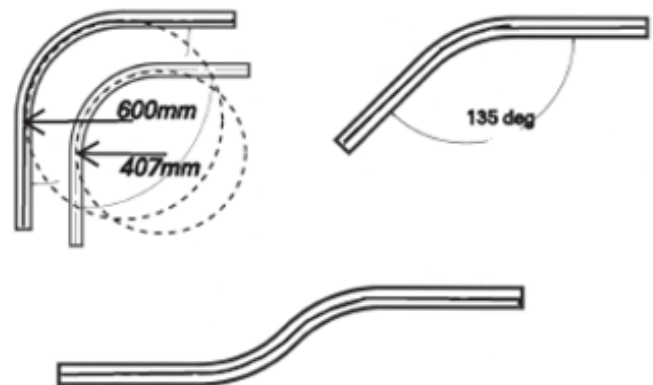
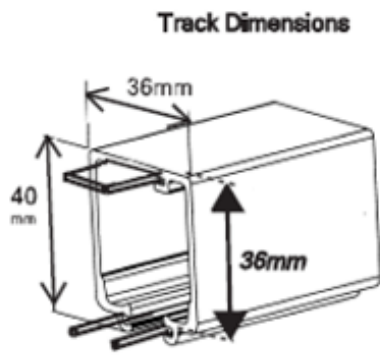
Maximum Panel Height is **4210mm**
(4300mm Overall track to finished floor).

Support required is typically 150 X 50mm
 timber beam supported with threaded rod at
 800mm centres.

Note: Particular attention required for support
 in stacking area to withstand extra weight



Standard bends and radius
 A200 Std bend = 407mm Radius
 A300 Std bend = 600mm Radius



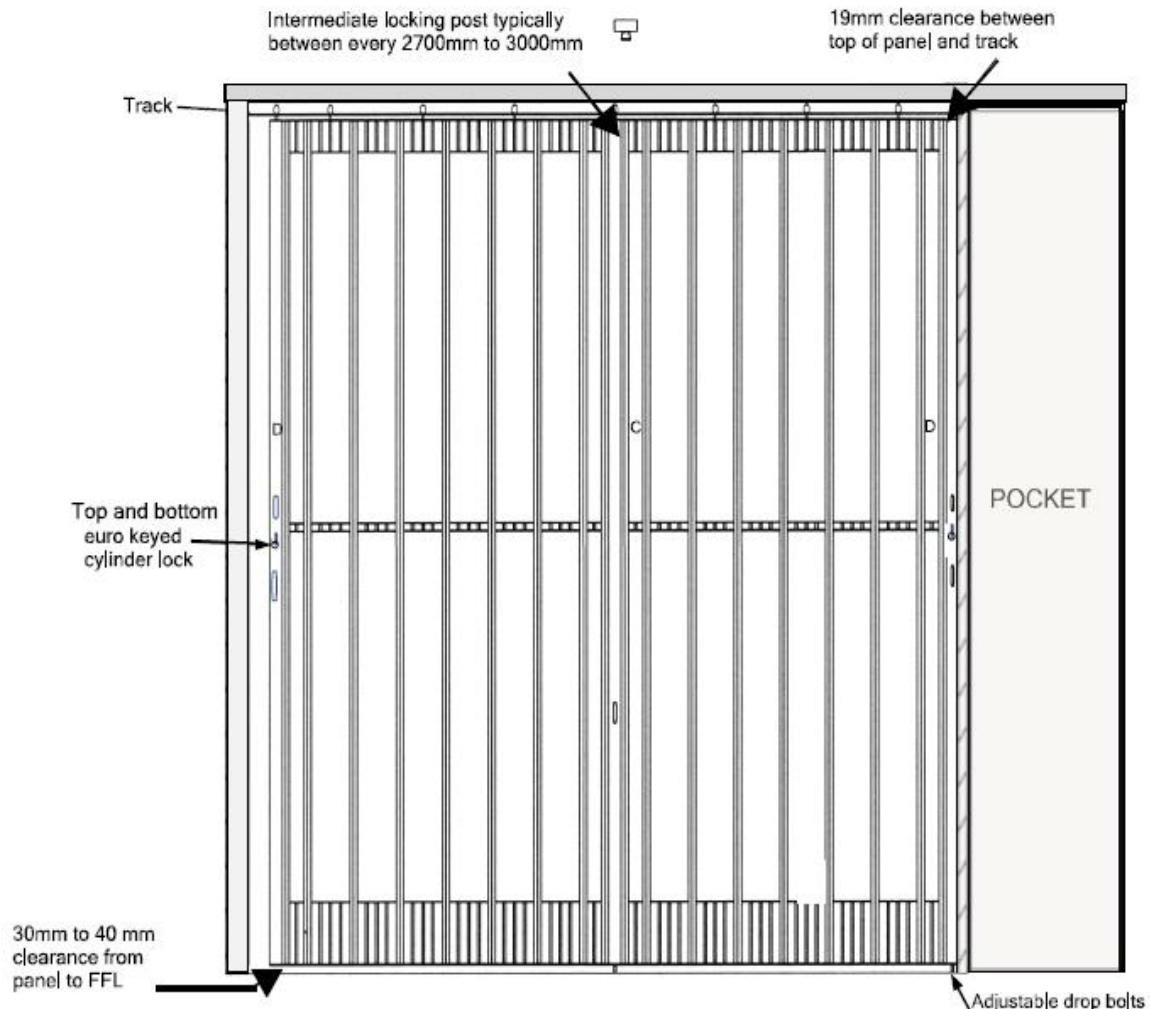
"S" bends fabricated from two 90deg bends of the same radius

Track Joined using one Flat aluminium tab
 and two spring pins

Note: 36mm is recommended for recessed track

ARCO SIDE FOLD A150 & A300

Typical Door Clearance elevation



A. BI-Part Locking

Two posts meeting with Euro cylinder (double sided key or with rear snib)

B. Key Locking Intermediate

Intermediate Post with Euro cylinder enabling locking from inside or outside

C. Intermediate (No Key)

Standard shoot bolt bottom locking (inside only)

D. Top and Bottom Key locking

Standard top and bottom shoot bolts, Key locked by euro cylinder (Standard for every door to have this lock option on each end)

