

QC-BV SERIES LOW PRESSURE BALL VALVES - BRASS



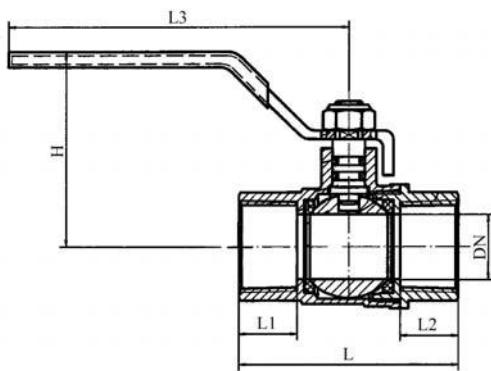
Features

QC-BV Series Ball Valves feature:

- Forged brass body
- Stamped steel handle with red vinyl grip
- Pure PTFE seats
- Full port
- Chrome-plated brass ball

Specifications

BODY SIZE (IN)	1/4" - 2 1/2"	3" - 4"
Rated Pressure (PSI)	600	450
Temperature Range	-22°F to +365°F	
Safety Factor	4:1	



ITEM#	SIZE	PART NO.	L	L1	L2	L3	H	DN	Thread
1300	1/4"	QCBV-04-NPT	1.62	.41	.41	3.14	1.77	.31	1/4" NPT
1301	3/8"	QCBV-06-NPT	1.73	.41	.41	3.14	1.81	.39	3/8" NPT
1302	1/2"	QCBV-08-NPT	2.19	.55	.55	3.91	2.24	.59	1/2" NPT
1303	3/4"	QCBV-12-NPT	2.38	.55	.55	3.91	2.36	.75	3/4" NPT
1304	1"	QCBV-16-NPT	3.23	.83	.83	4.50	2.72	.98	1" NPT
1305	1-1/4"	QCBV-20-NPT	3.78	.93	.93	4.80	3.11	1.26	1-1/4" NPT
1306	1-1/2"	QCBV-24-NPT	4.05	.89	.89	5.59	3.68	1.57	1-1/2" NPT
1307	2"	QCBV-32-NPT	4.80	.98	.98	5.59	3.99	1.97	2" NPT
1350	2-1/2"	QCBV-40-NPT	5.59	1.14	1.14	8.50	4.98	2.48	2-1/2" NPT
1351	3"	QCBV-48-NPT	6.45	1.22	1.22	8.50	5.12	2.95	3" NPT
1352	4"	QCBV-64-NPT	7.50	1.30	1.30	8.84	6.18	3.74	4" NPT

DIMENSIONS IN INCHES