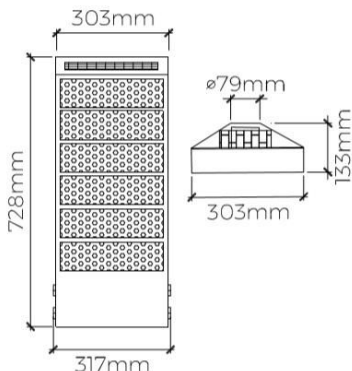




## ELNUR-SL550044

### 300W MODULAR STREET LIGHT



### PRODUCT SPECIFICATIONS

Fixture Material	Die-Cast Aluminium
Fixture Finish	Powder-coated gray
Lens	Clear optical lens
Diffuser	Clear UV resistant polycarbonate
Driver	Built-in
Binning	3 Step MacAdam
Wiring	1 meter of 3 core 1.5 mm <sup>2</sup> rubber cable
Life Span	50,000 hours

LED Chip	Phillips
Power Consumption	300W
Input Voltage	180-250VAC, 50/60Hz
Operating Temperature	from -20° to 65° C
Color Rendering Index	>85
Warranty	3 years against manufacturing defects
Agency Approval	CE, RoHS
Weight	5500g



Power (W)	Available color Temperatures	Luminous Flux			IP Rating	Available Beam Angles
		3000K	4000K	6000K		
300W	2700K 3000K 4000K 6000K	110lm/W	120lm/W	130lm/W	66	70° X 150°

**Standard option.**

Non-standard products may be subject to MOQ. Contact your regional sales representative for more information.