

GLAZED WOOD DOUBLE DOOR – OUTSWING – "IMPACT" BY OWW LLC

DESIGN PRESSURE = + 60.0 PSF, - 60.0 PSF

GENERAL NOTES

1. This product has been evaluated and is in compliance with 7th Edition (2020) Florida Building Code (FBC) structural requirements including the "High Velocity Hurricane Zone" (HVHZ).
2. Product anchors shall be as listed and spaced as shown on details. Anchor embedment to base materials shall be beyond wall dressing or stucco. All anchors used shall be of a material or have a coating compatible with pressure treated wood if used, and all other window materials.
3. When used in the "HVHZ" this product complies with Section 1626 of the FBC and does not require an impact resistant covering.
4. When used in areas outside of the "HVHZ" required wind borne debris protection, this product complies with FBC Sections 1609.1.2 & R301.2.1.2 and does not require an impact resistant covering. This product meets missile level "D" and includes Wind Zone 4 as defined in ASTM E 1996 and FBC Sections 1609.1.2.2 & R301.2.1.2.1.
5. The opening substrate materials (framing, masonry, bucks) are by others and must be properly designed and installed to transfer superimposed loads to the structure. For 2X stud framing construction, anchoring of these units shall be the same as that shown for 2X buck masonry construction. Wood bucks over masonry, if used, shall be pressure treated, with either a treatment or coating compatible with this product and anchors.
6. Site conditions that deviate from the details of this drawing require further engineering analysis by a licensed engineer or registered architect.
7. This product has been laboratory tested to meet the water infiltration requirements for "HVHZ." Sealing and flashing strategies for overall water infiltration resistance of the field-installed product shall be the responsibility of others and are not addressed by this document.

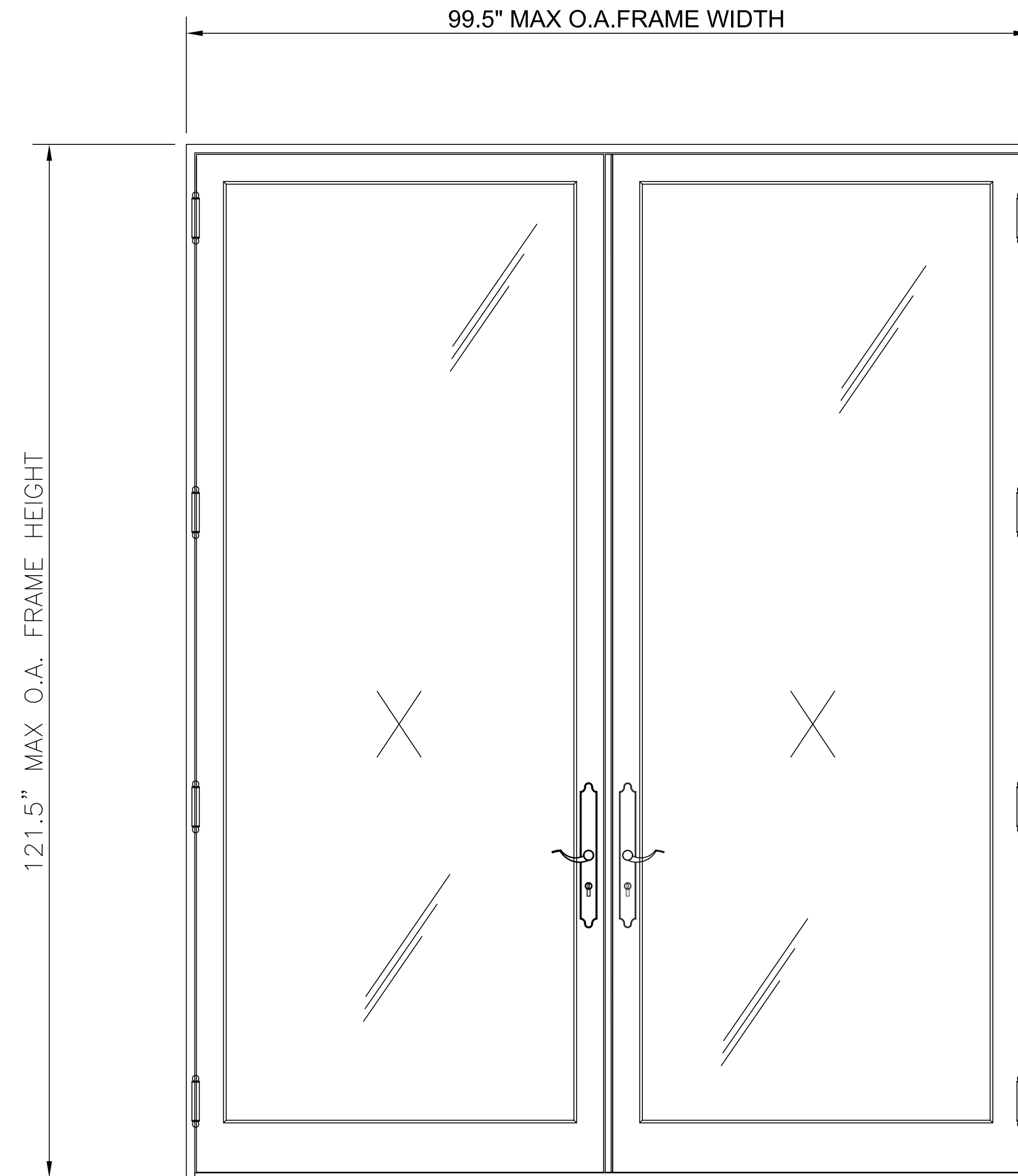
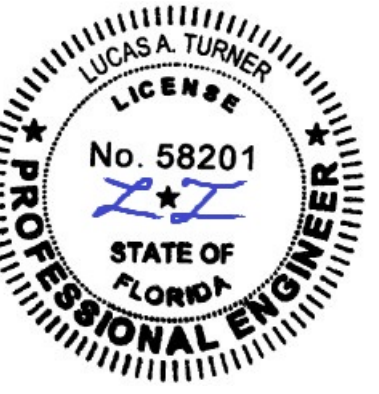


TABLE OF CONTENTS

SHEET #	DESCRIPTION
1	Typical elevation, design pressures & general notes
2	Door panel details and glazing details
3	Horizontal cross sections
4	Vertical cross sections
5	Buck and frame anchoring
6	Frame anchoring
7	Hardware details
8	Bill of materials and components

TABLE 1. QUALIFIED ANCHOR INFORMATION

ID	SUBSTRATE	ANCHOR	MIN. EMBEDMENT	MIN. EDGE DISTANCE
A	SOLID UNCRACKED CONCRETE (2850 PSI MIN.)	1/4" ELCO COATED CARBON STEEL ULTRACON	1 3/8"	1"
B	GROUT-FILLED CMU (ASTM C-90) (JAMBS ONLY)	1/4" ELCO COATED CARBON STEEL ULTRACON	1 3/4"	2 1/2"
C	SOLID UNCRACKED CONCRETE (2000 PSI MIN.)	1/4" ITW COATED CARBON STEEL TAPCON	1 1/2"	1 1/2"
D	HOLLOW CMU (117 PCF MIN.) (JAMBS ONLY)	1/4" ITW COATED CARBON STEEL TAPCON	1"	2"
E	CONCRETE (3000 PSI MIN)	1/4" HILTI COATED CARBON STEEL OR STAINLESS STEEL KWIK-CON II	1"	2 1/2"
F	HOLLOW OR GROUT-FILLED CMU (ASTM C-90)	1/4" HILTI COATED CARBON STEEL OR STAINLESS STEEL KWIK-CON II	1"	2 1/2"
G	2x MIN. SOUTHERN PINE WOOD (G=0.55 MIN)	#12 GRADE 5 WOOD SCREW	1 1/2"	1"
H	16 GAUGE (0.060") MIN. STEEL STUD (33 KSI YIELD MIN.) OR 1/8" MIN. ALUMINUM (6063-T5 MIN.)	#14 ITW TEKS SELF-DRILLING SCREW	FULL + 3 THREADS	1/2"



12/18/2020

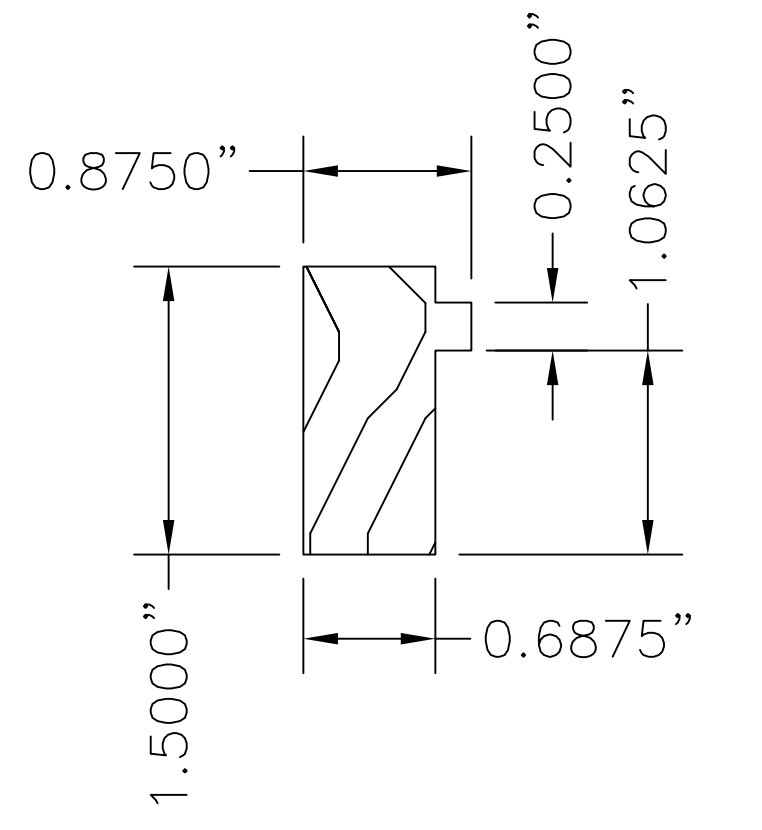
TE&C
LUCAS A. TURNER, P.E., FL PE 58201
TURNER ENGINEERING & CONSULTING, INC.
FBPE COA #297779 PH. 941-380-1574
2428 OLD NATCHEZ TRACE TRAIL
CAMDEN, TN 38320

OWW LLC
3001 Tuxedo Ave., West Palm Beach, FL 33405
Ph. 561-478-7233 Fax 561-478-7858

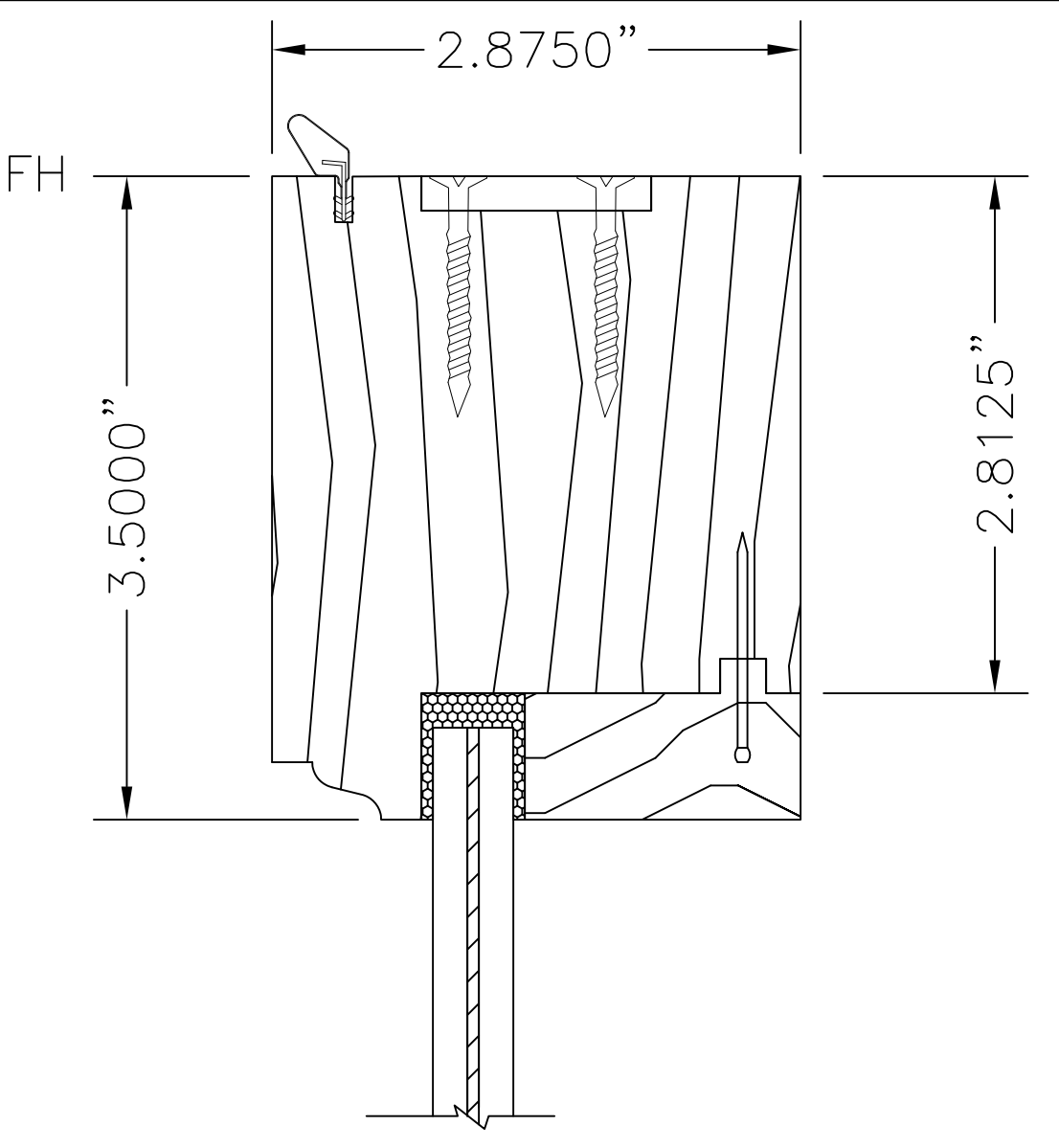
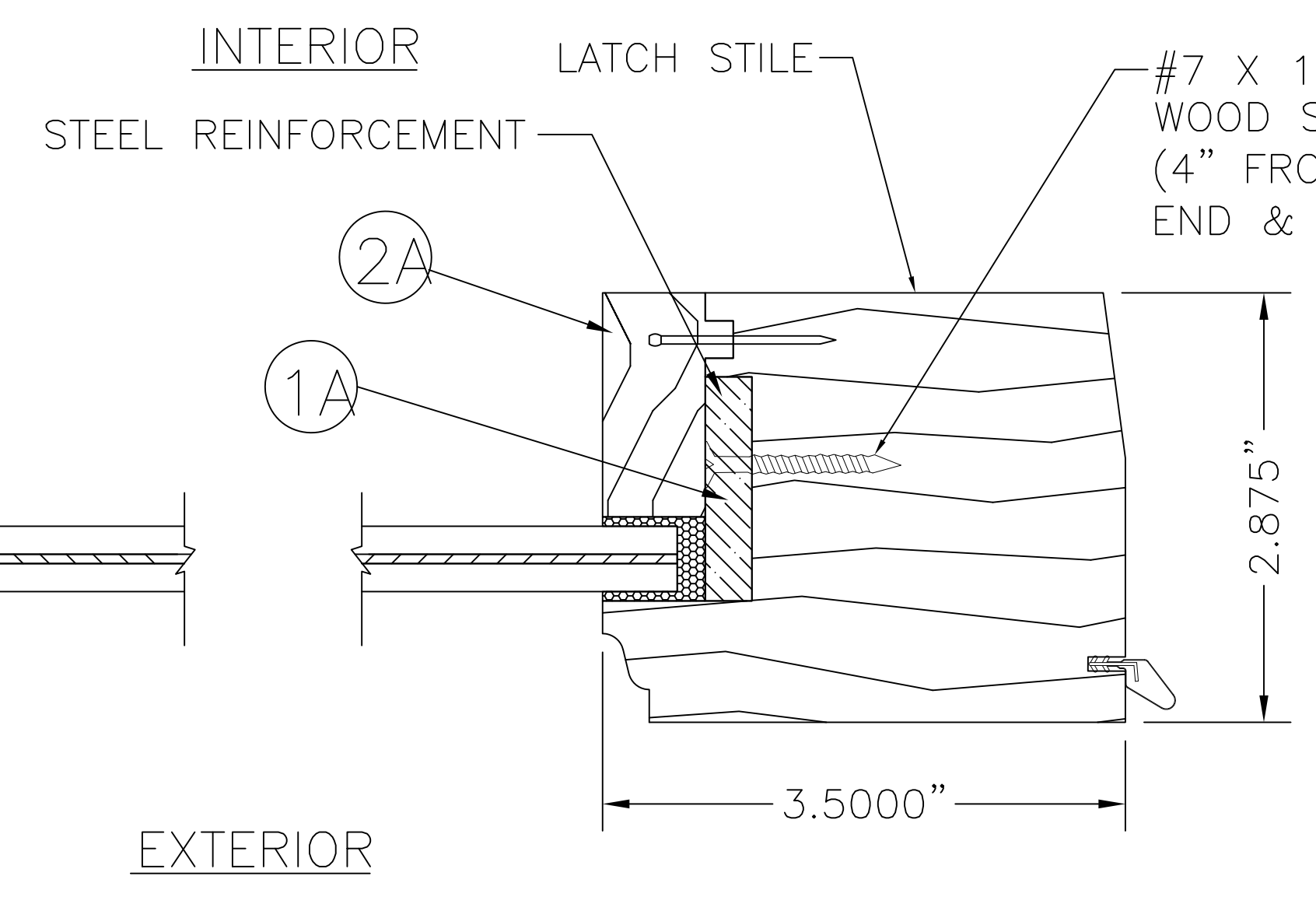
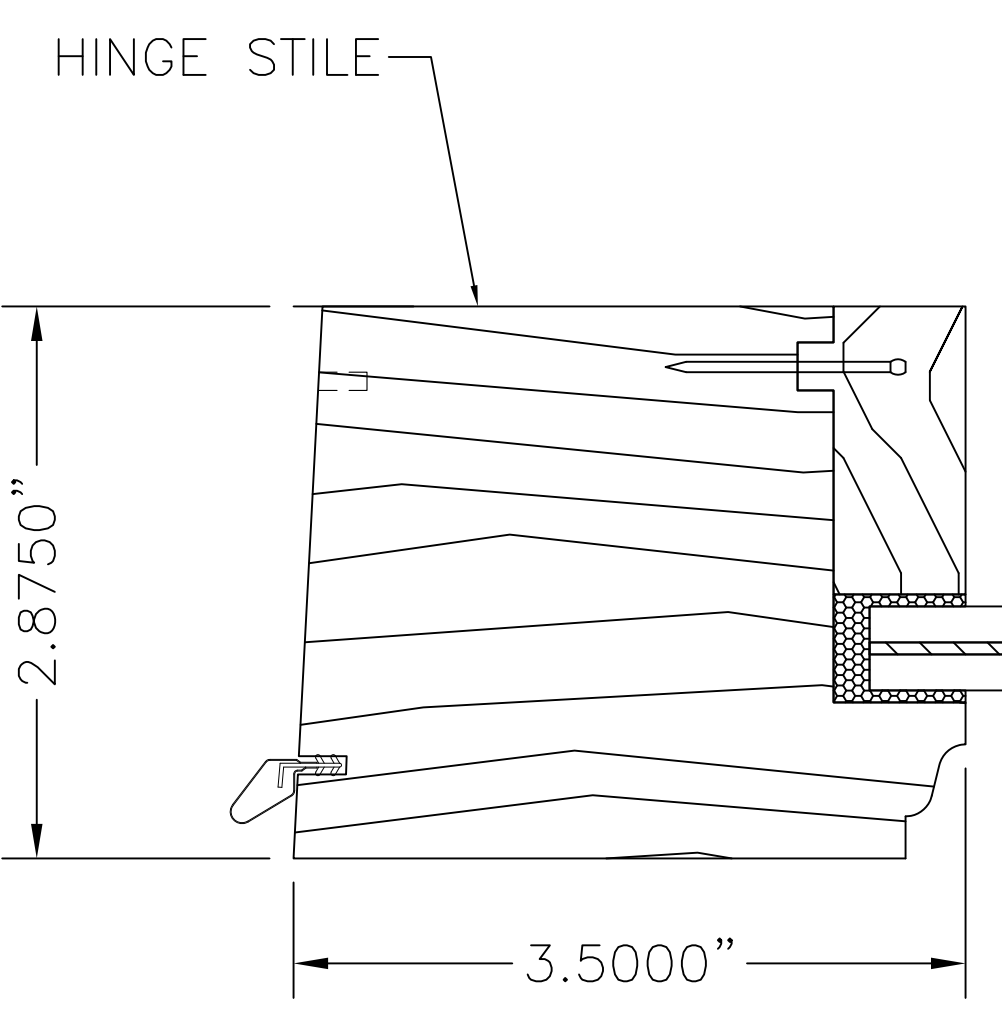
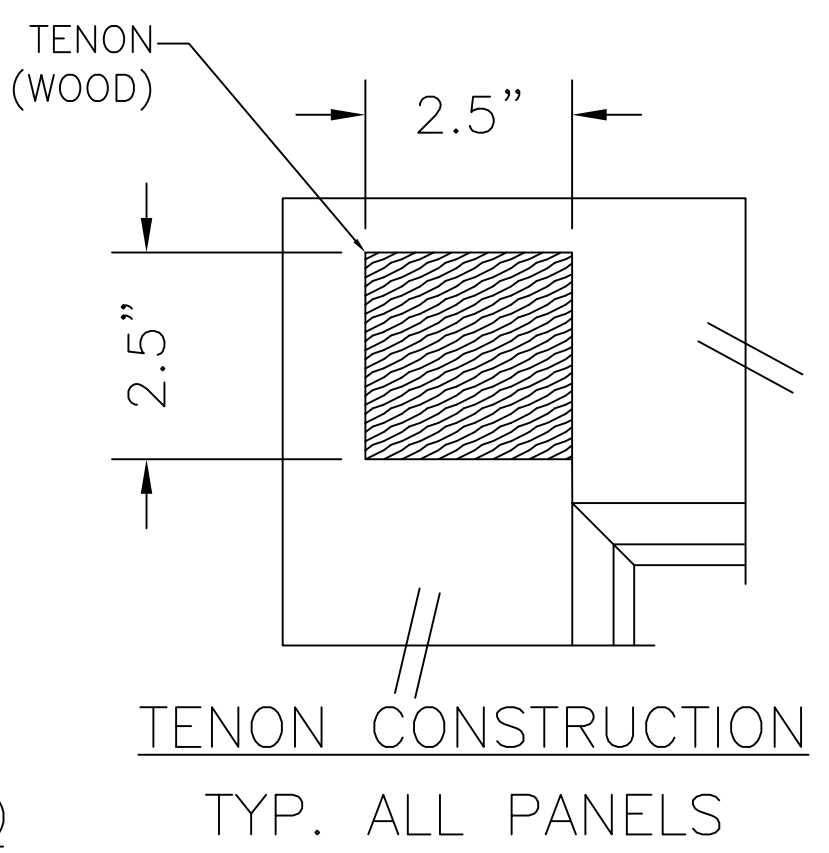
Product: GLAZED WOOD DOUBLE DOOR OUTSWING
Date: 10-18-17
Scale: None
Drawn: JDS
TYPICAL ELEVATION, DESIGN PRESSURES & GENERAL NOTES

Dwg: Nar-OS
FL34945.1

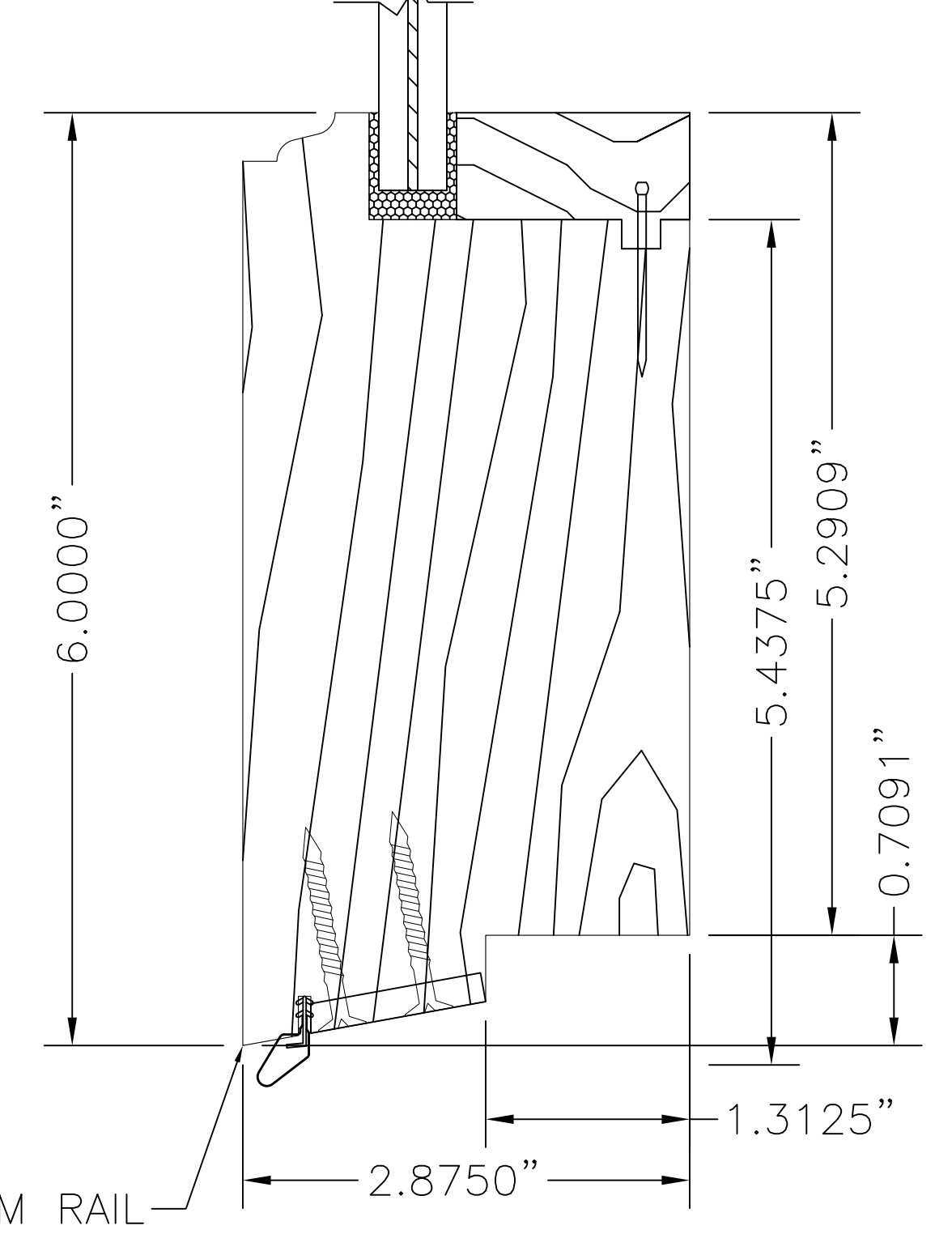
Sheet No.
1D OF 8



2A GLAZING BEAD

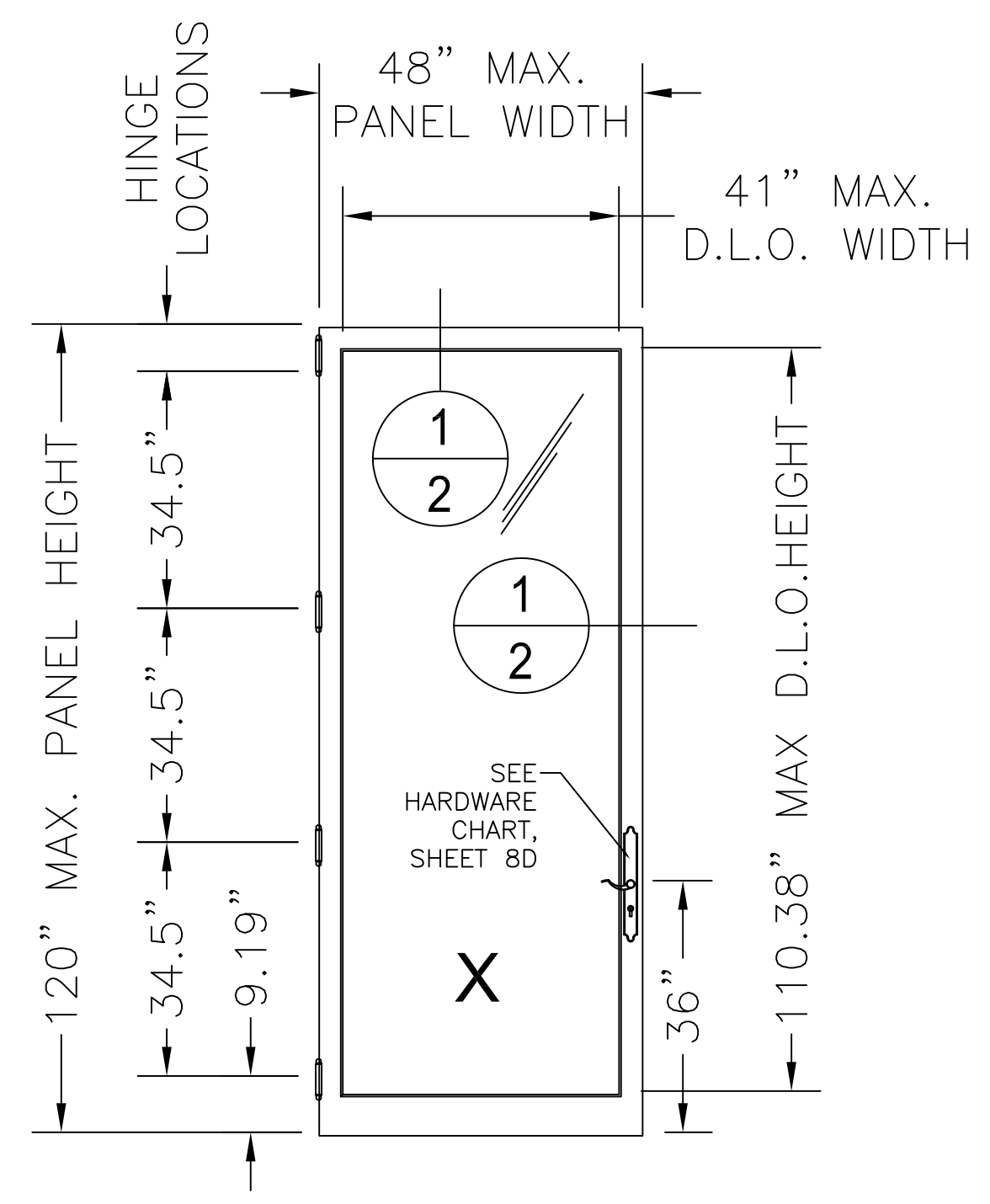


EXTERIOR INTERIOR

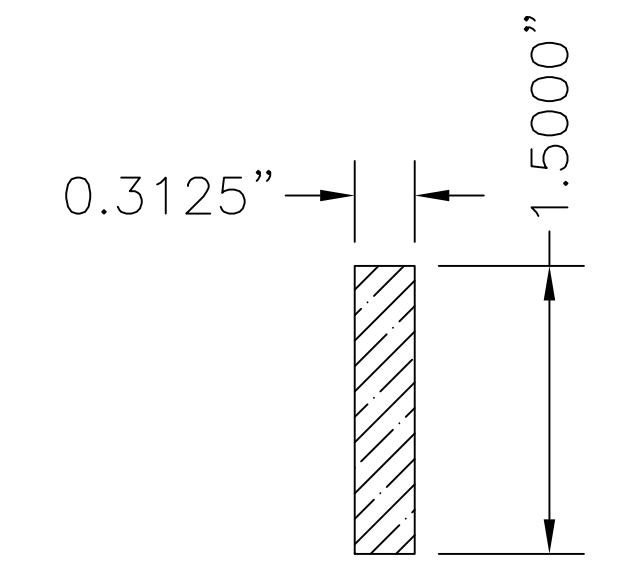


2/2 VERTICAL CROSS SECTION

1/2 HORIZONTAL CROSS SECTION

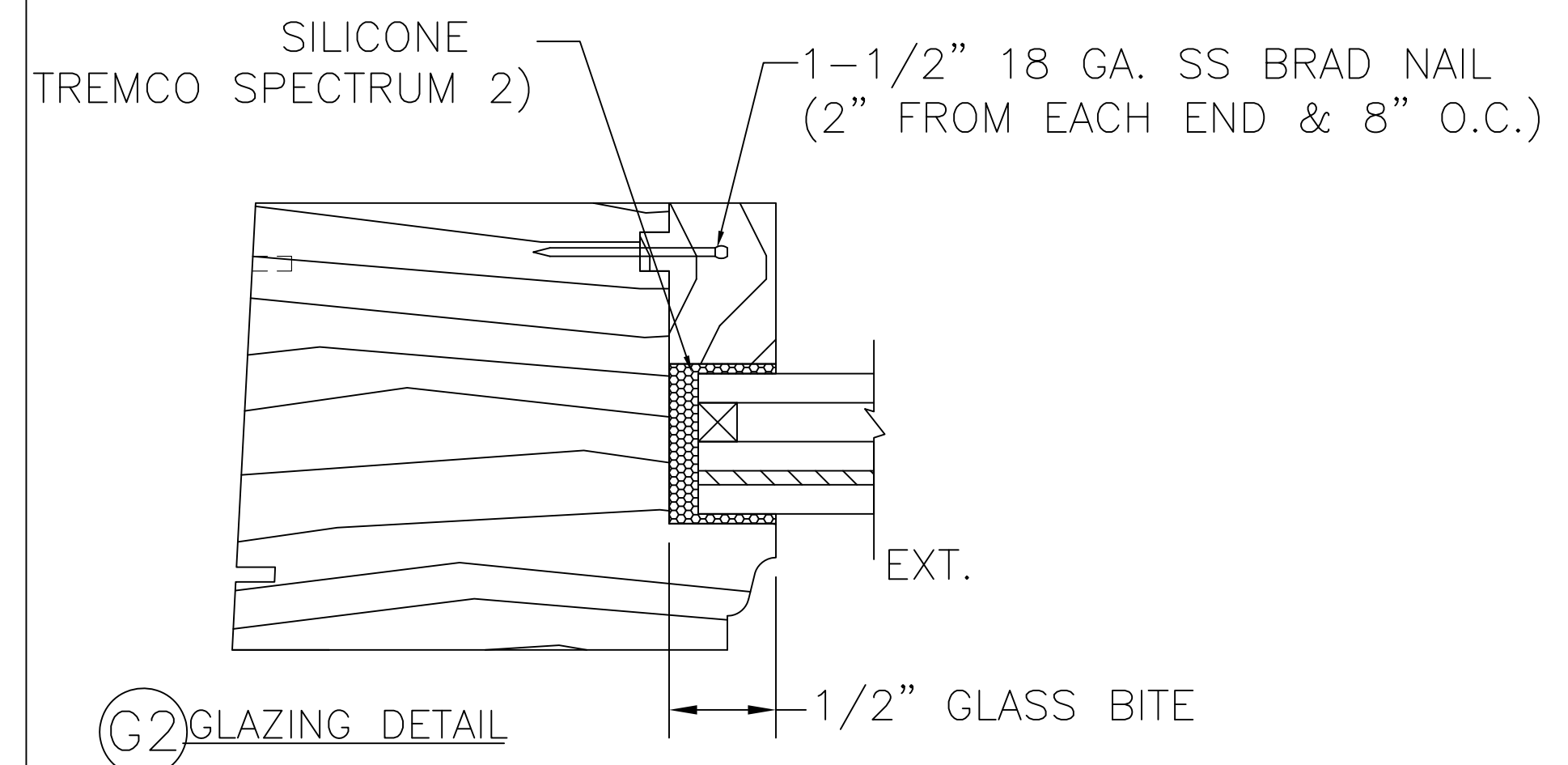
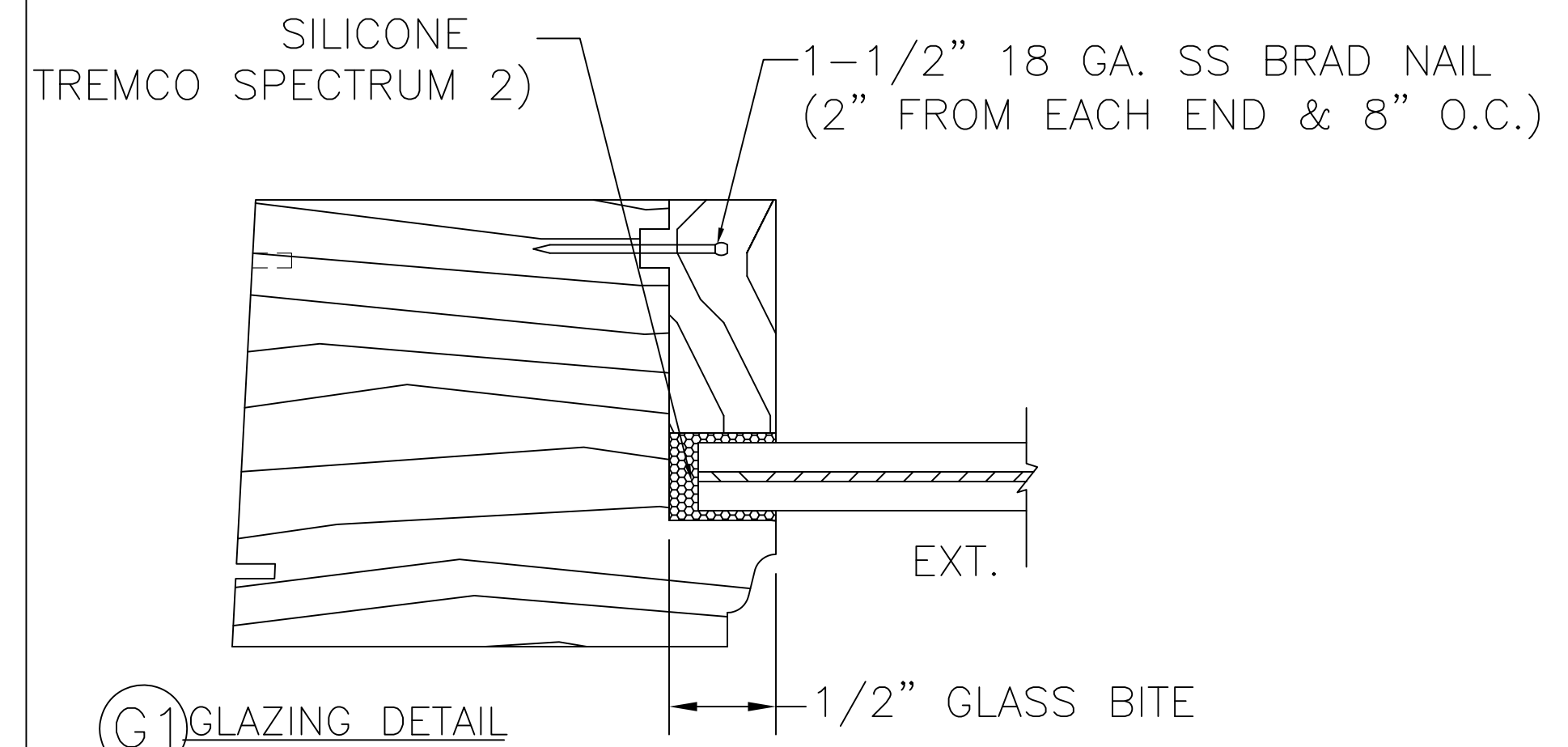


40 GLAZED WOOD PANEL DOOR
Full Glazed



1A STEEL REINFORCEMENT
Length = Up to 112"

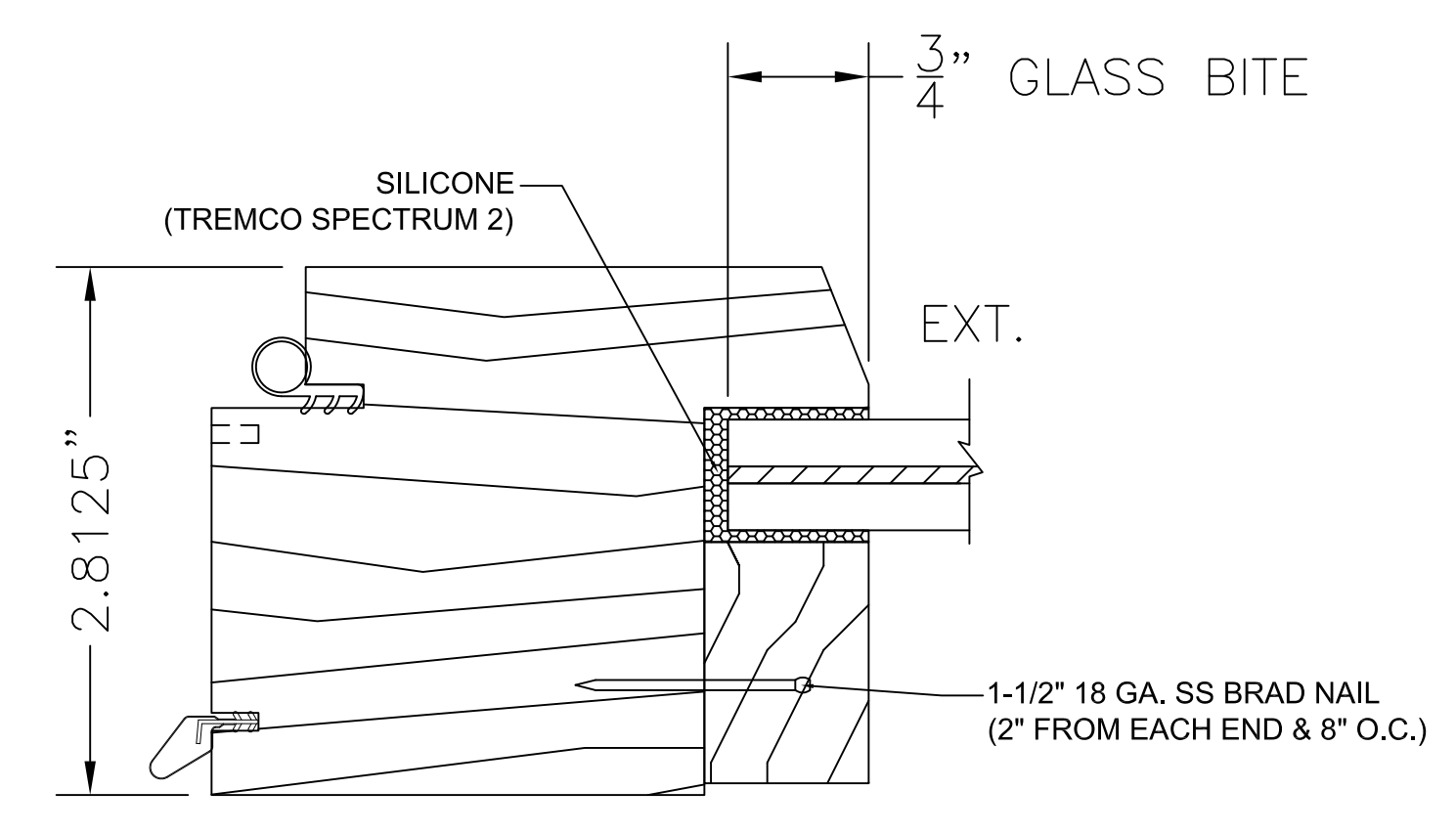
NOTE: GLAZING DETAILS 1 THROUGH 4 MAY BE USED W/ ALL SECTION DETAILS



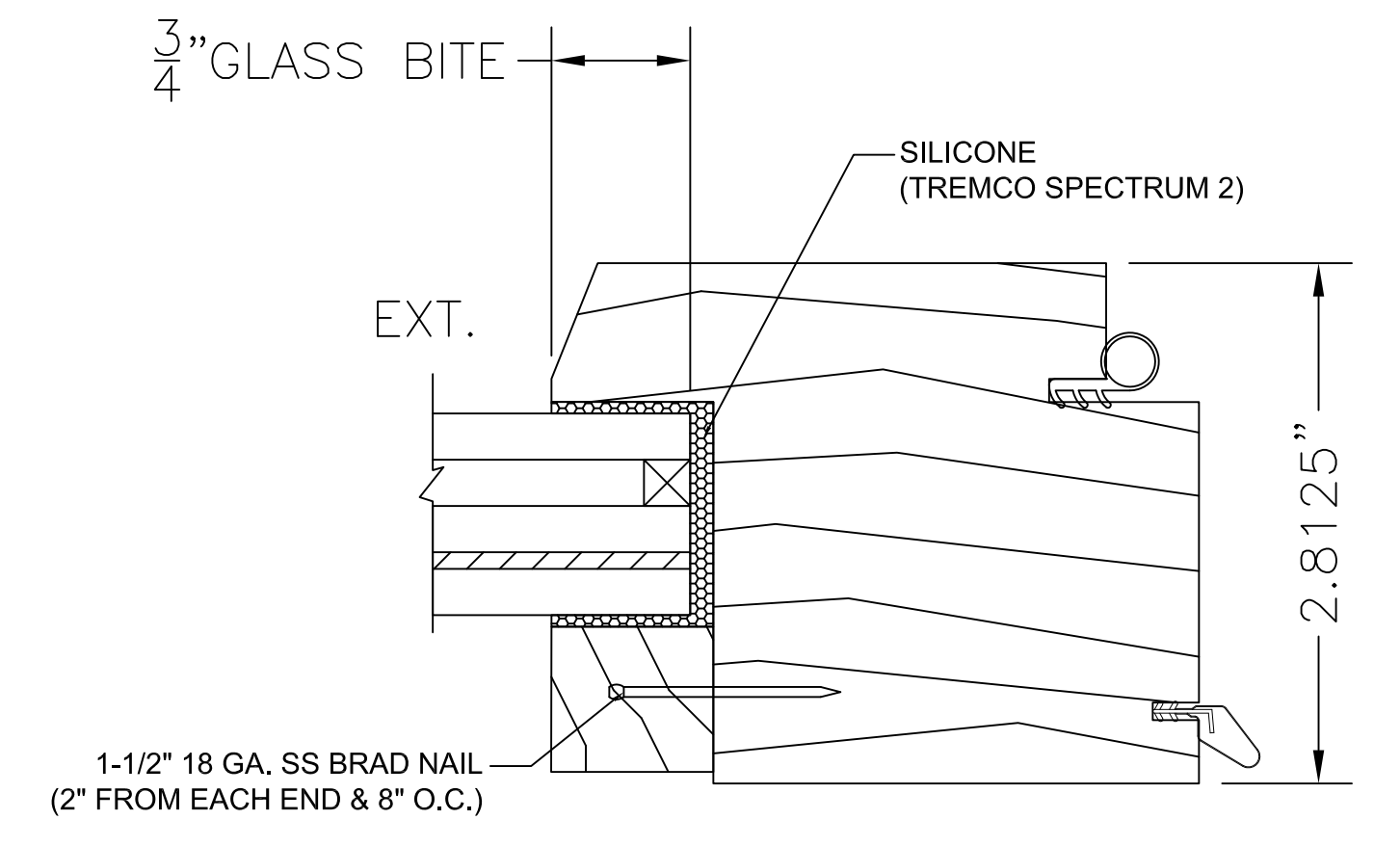
GLASS TYPES AND STRUCTURE

- G1. 7/16" (NOM.) LAMINATED GLASS
3/16" ANNEALED /
.075" INTERLAYER: SAFLEX CP BY
EASTMAN CHEMICAL COMPANY /
3/16" ANNEALED
- G2. 7/8" (NOM.) LAMINATED INSULATING GLASS
3/16" FULLY TEMPERED EXT. LITE /
1/4" AIR SPACE WITH ALUMINUM SPACER /
3/16" ANNEALED
.075" INTERLAYER: SAFLEX CP BY
EASTMAN CHEMICAL COMPANY /
3/16" ANNEALED

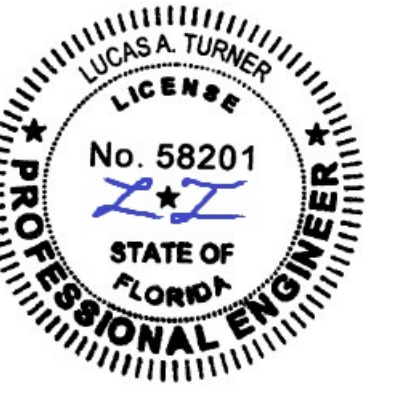
- G3. 9/16" (NOM.) LAMINATED GLASS
1/4" HEAT STRENGTHENED /
.090" INTERLAYER: SENTRYGLAS BY KURARAY /
1/4" HEAT STRENGTHENED
- G4. 1-1/8" (NOM.) LAMINATED INSULATING GLASS
1/4" FULLY TEMPERED EXT. LITE /
3/8" AIR SPACE WITH ALUMINUM SPACER /
1/4" HEAT STRENGTHENED /
.090" INTERLAYER: SENTRYGLAS BY KURARAY /
1/4" HEAT STRENGTHENED



G3 GLAZING DETAIL



G4 GLAZING DETAIL



12/18/2020

TE&C

LUCAS A. TURNER, P.E. FL PE 58201
TURNER ENGINEERING & CONSULTING, INC.
FBPE COA #29779 PH. 941-380-1574
2428 OLD NATCHEZ TRACE TRAIL
CAMDEN, TN 38320

OWW LLC

3001 Tuxedo Ave., West Palm Beach, FL 33405
Ph. 561-478-7233 Fax 561-478-7858

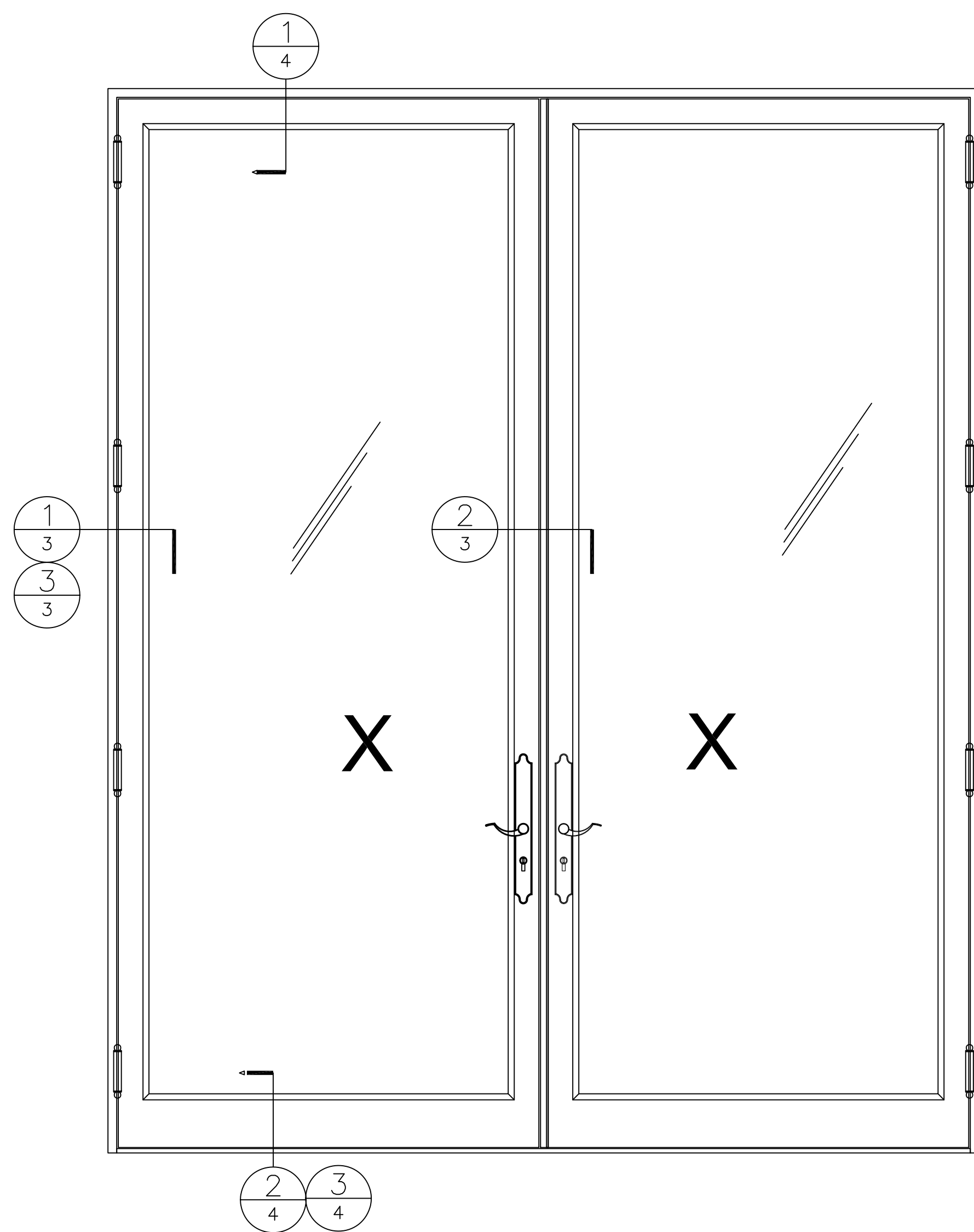
Product: GLAZED WOOD DOUBLE DOOR OUTSWING

DOOR PANEL DETAILS & GLAZING DETAILS

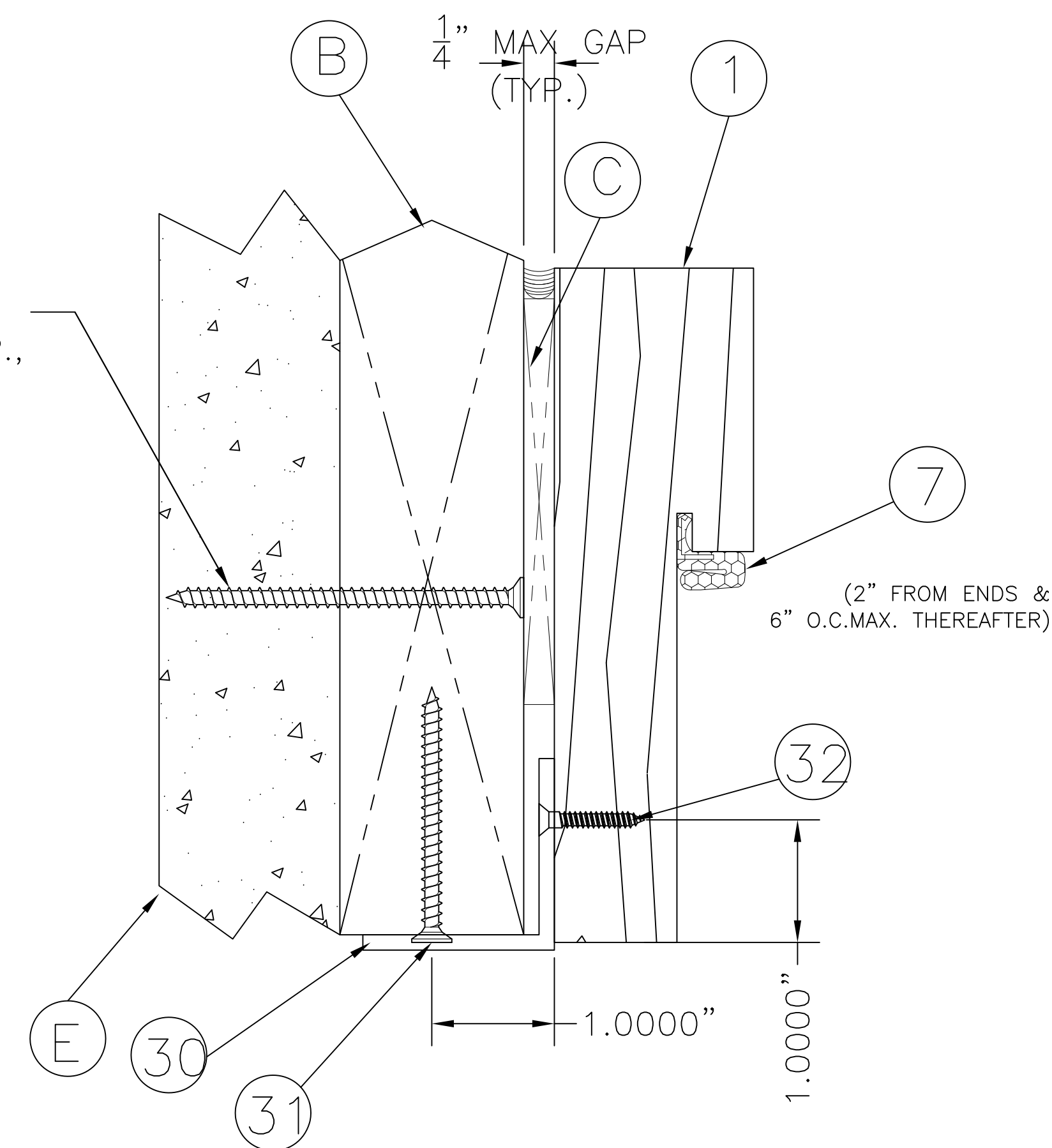
Date: 10-18-17
Scale: None
Drawn: JDS

Dwg: Nar-OS
FL34945.1

Sheet No.
2D OF 8

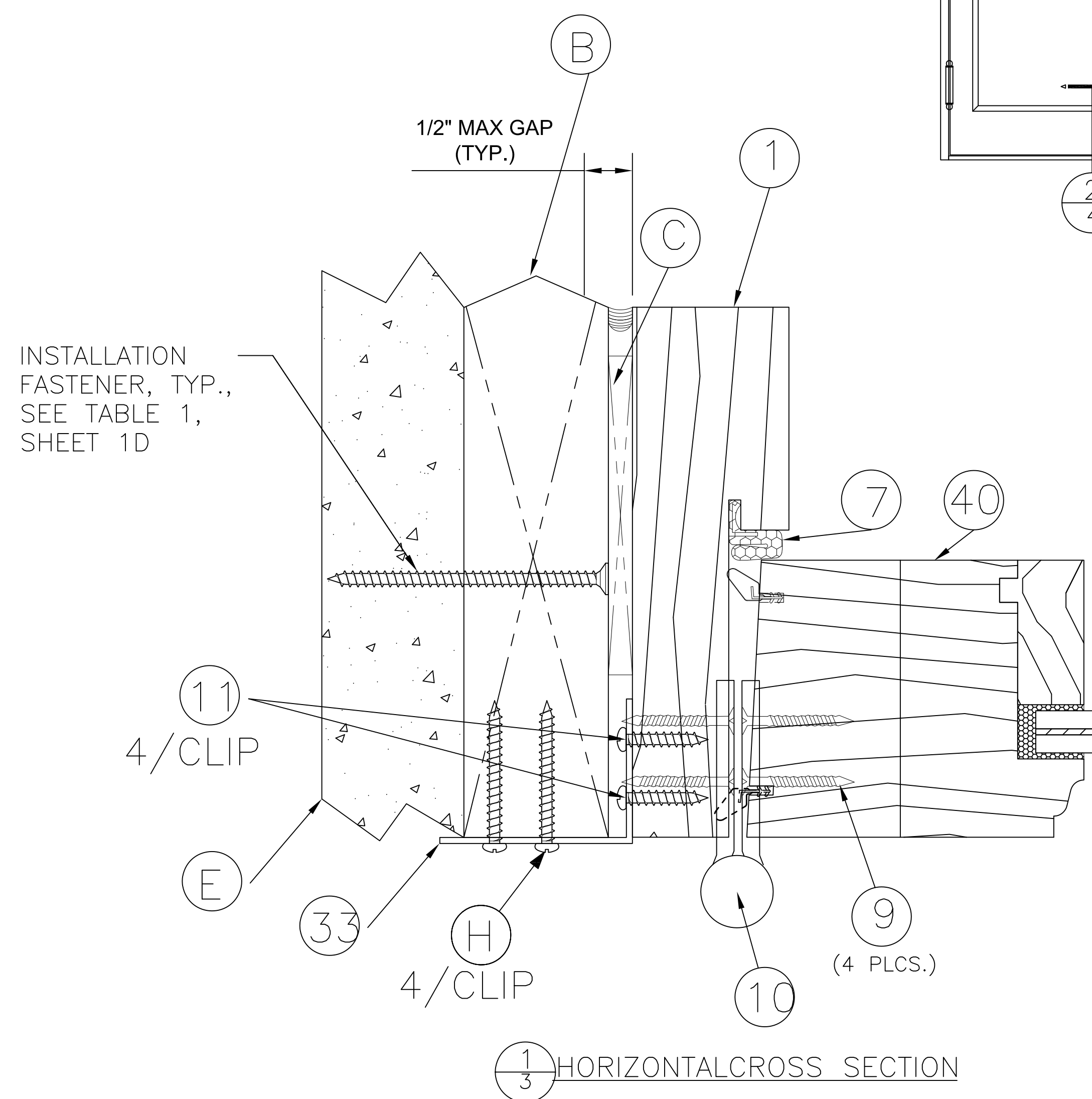


INSTALLATION
FASTENER, TYP.,
SEE TABLE 1,
SHEET 1D



3
3 HORIZONTAL CROSS SECTION
Aluminum Angle Anchoring Shown

NOTES:
1. Spacing for item #32: 2" from each end & 10" O.C. max thereafter

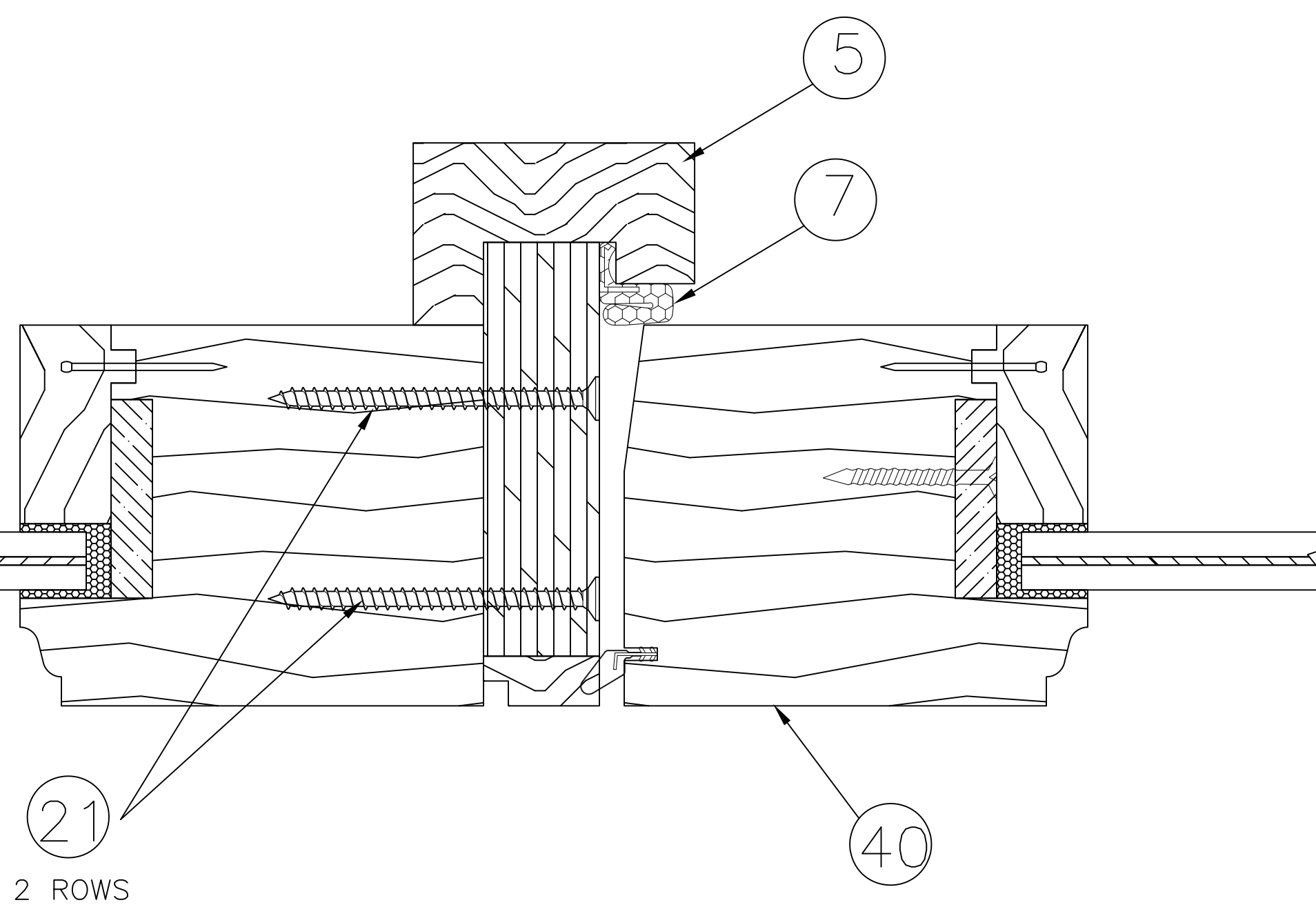


1
3 HORIZONTAL CROSS SECTION

INTERIOR

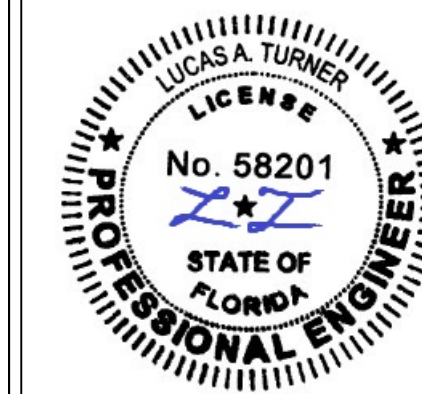
EXTERIOR

(2" FROM EACH END & 18" MAX. O.C. ALONG ASTRAGAL)



2
3 HORIZONTAL CROSS SECTION

NOTE: GLAZING DETAILS 1 THROUGH 4 MAY BE USED W/ ALL SECTION DETAILS



12/18/2020

TE&C

LUCAS A. TURNER, P.E. FL PE 58201
TURNER ENGINEERING & CONSULTING, INC.
FBPE COA #29779 PH. 941-380-1574
2428 OLD NATCHEZ TRACE TRAIL
CAMDEN, TN 38320

OWW LLC

3001 Tuxedo Ave., West Palm Beach, FL 33405
Ph. 561-478-7233 Fax 561-478-7858

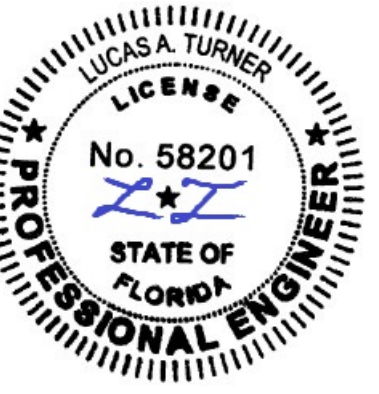
Product: GLAZED WOOD DOUBLE DOOR OUTSWING

HORIZONTAL CROSS SECTIONS

Date: 10-18-17
Scale: None
Drawn: JDS

Dwg: Nar-OS
FL34945.1

Sheet No.
3D OF 8



12/18/2020

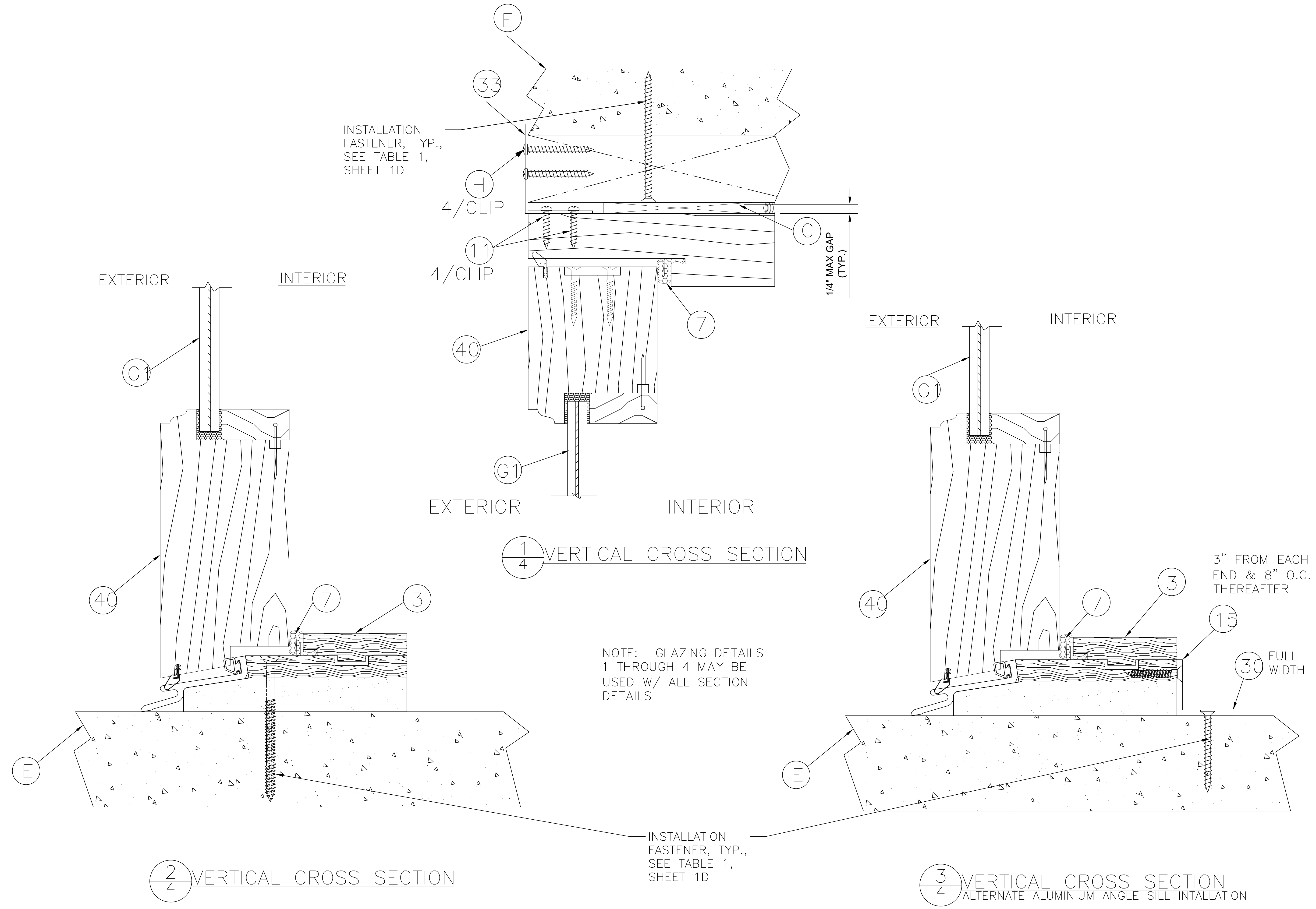
TE&C
 LUCAS A. TURNER, P.E. - FL PE 58201
 TURNER ENGINEERING & CONSULTING, INC.
 FBPE COA #29779 PH. 941-380-1574
 2428 OLD NATCHEZ TRACE TRAIL
 CAMDEN, TN 38320

OWW LLC
 3001 Tuxedo Ave., West Palm Beach, FL 33405
 Ph. 561-478-7233 Fax 561-478-7858

Product: GLAZED WOOD DOUBLE DOOR OUTSWING
 Date: 10-18-17
 Scale: None
 Drawn: JDS

Dwg: Nar-OS
 FL34945.1

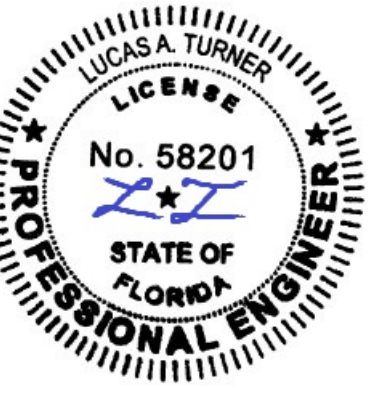
Sheet No.
 4D OF 8



2/4 VERTICAL CROSS SECTION

1/4 VERTICAL CROSS SECTION

3/4 VERTICAL CROSS SECTION
 ALTERNATE ALUMINIUM ANGLE SILL INTALLATION



12/18/2020

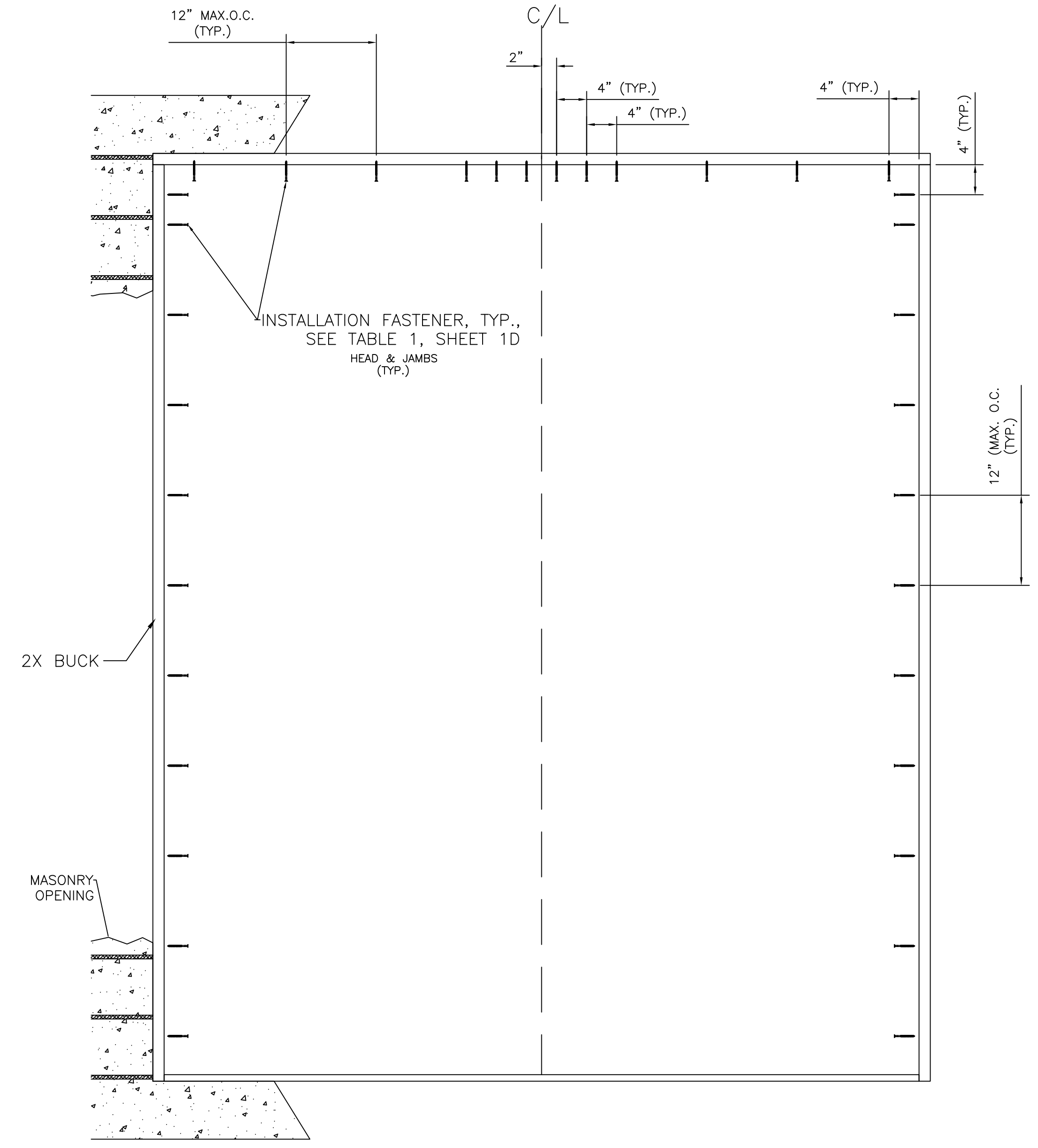
TE&C
 LUCAS A. TURNER, P.E. FL PE 58201
 TURNER ENGINEERING & CONSULTING, INC.
 FBPE COA #297779 PH. 941-380-1574
 2428 OLD NATCHEZ TRACE TRAIL
 CAMDEN, TN 38320

OWW LLC
 3001 Tuxedo Ave., West Palm Beach, FL 33405
 Ph. 561-478-7233 Fax 561-478-7858

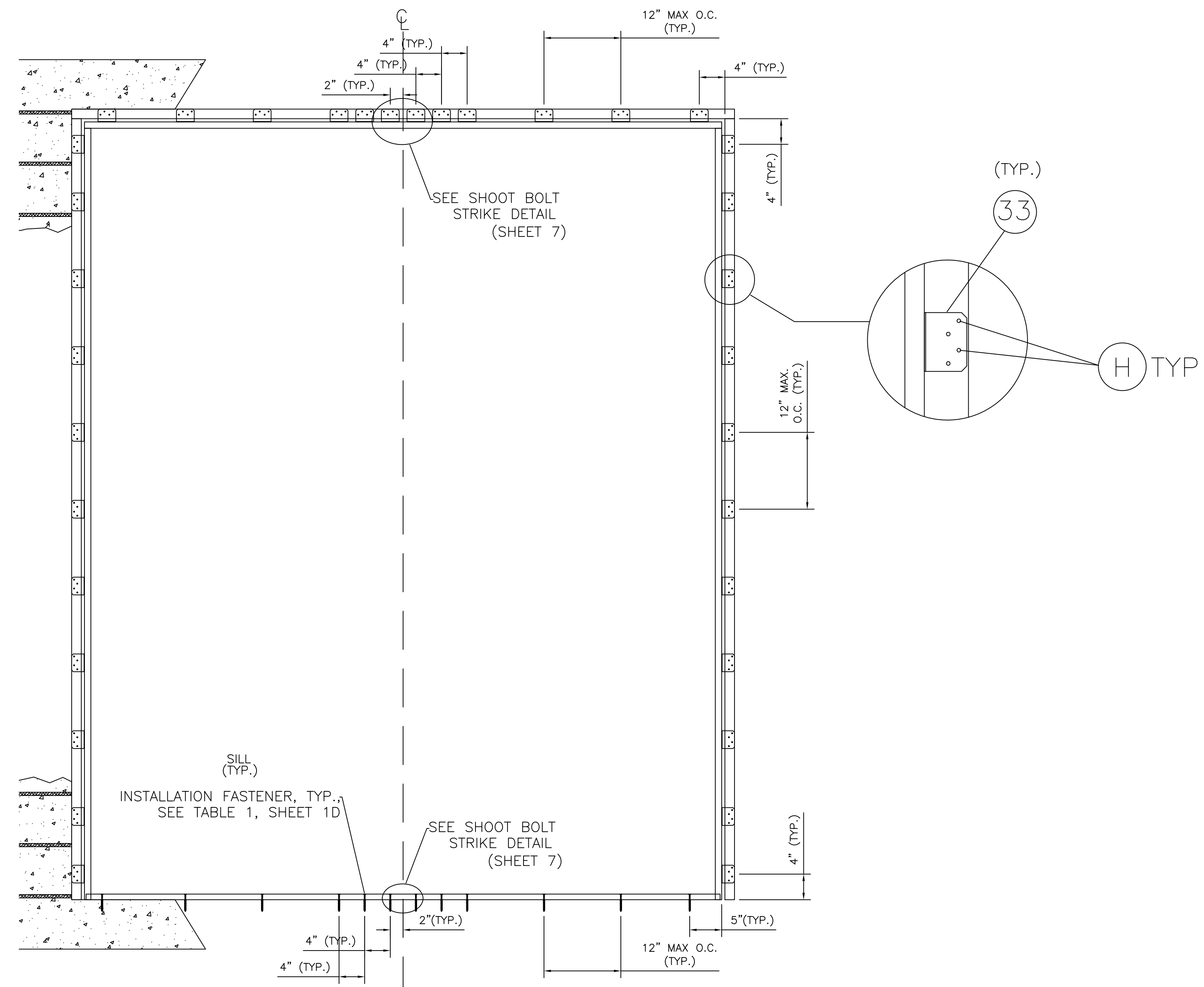
Product: GLAZED WOOD DOUBLE DOOR OUTSWING
 Date: 10-18-17
 Scale: None
 Drawn: JDS

Dwg: Nar-OS
 FL34945.1

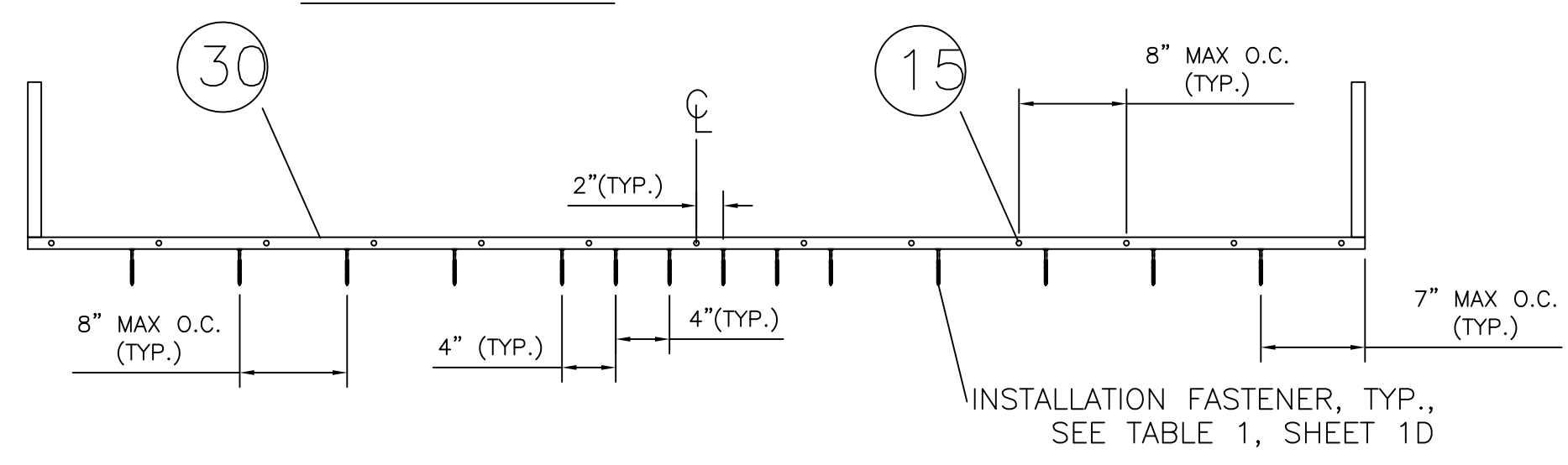
Sheet No.
 5D OF 8



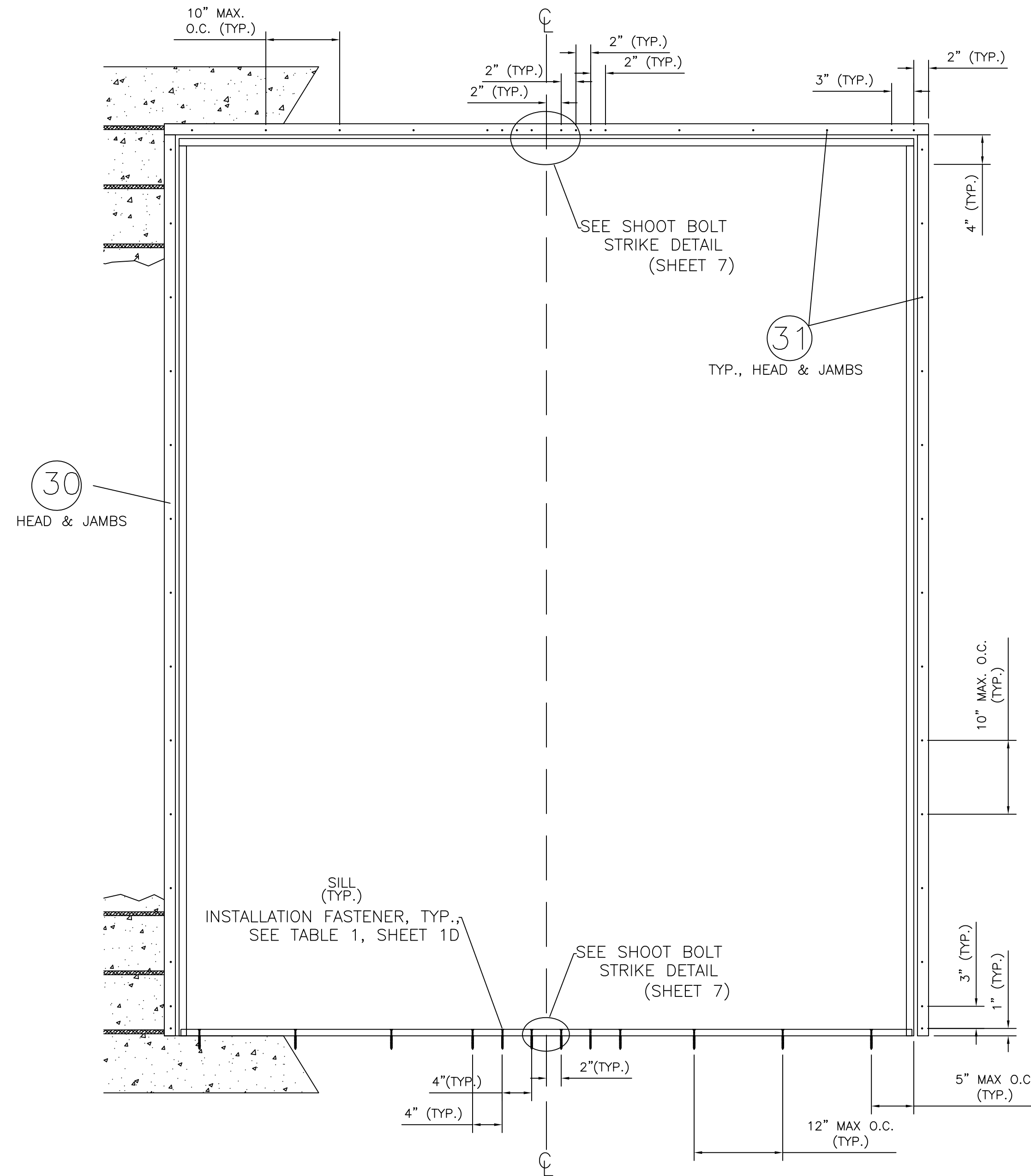
BUCK ANCHORING



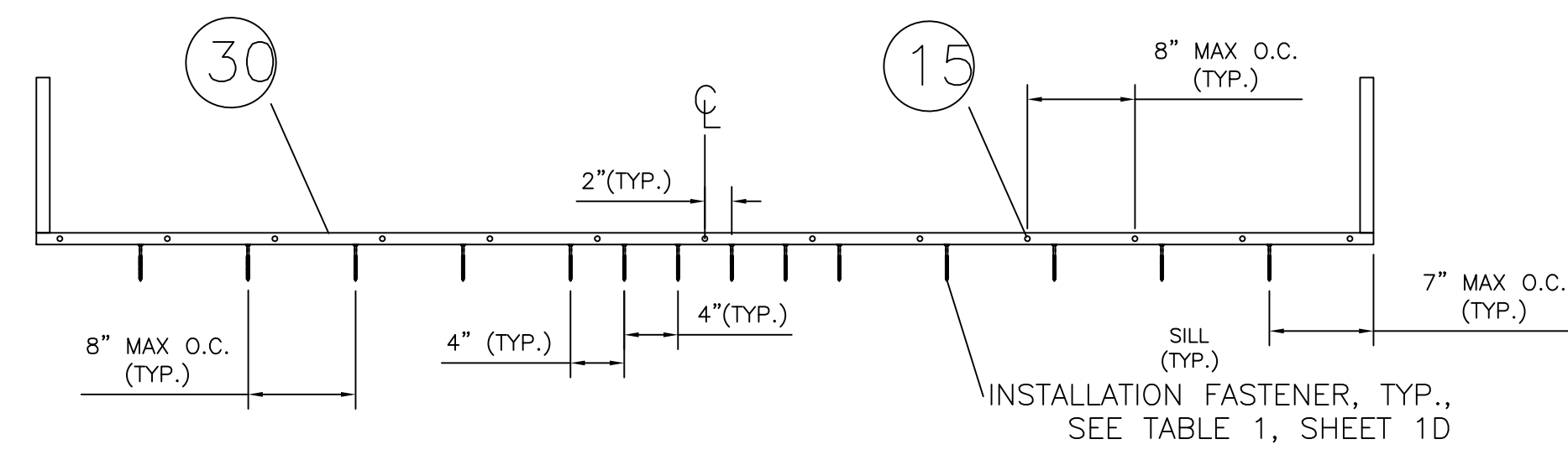
FRAME ANCHORING



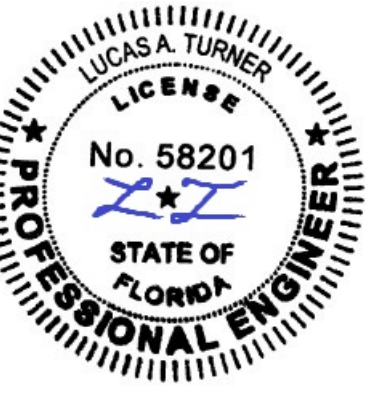
ALTERNATE SILL ANCHORING



FRAME ANCHORING
Aluminium Angle



ALTERNATE SILL ANCHORING



12/18/2020

TE&C
LUCAS A. TURNER, P.E. - FL PE 58201
TURNER ENGINEERING & CONSULTING, INC.
FBPE COA #29779 PH. 941-380-1574
2428 OLD NATCHEZ TRACE TRAIL
CAMDEN, TN 38320

OWW LLC
3001 Tuxedo Ave., West Palm Beach, FL 33405
Ph. 561-478-7233 Fax 561-478-7858

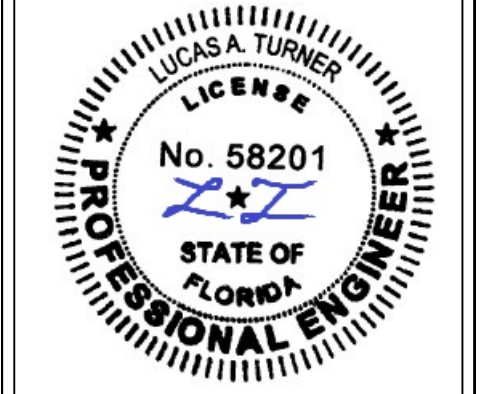
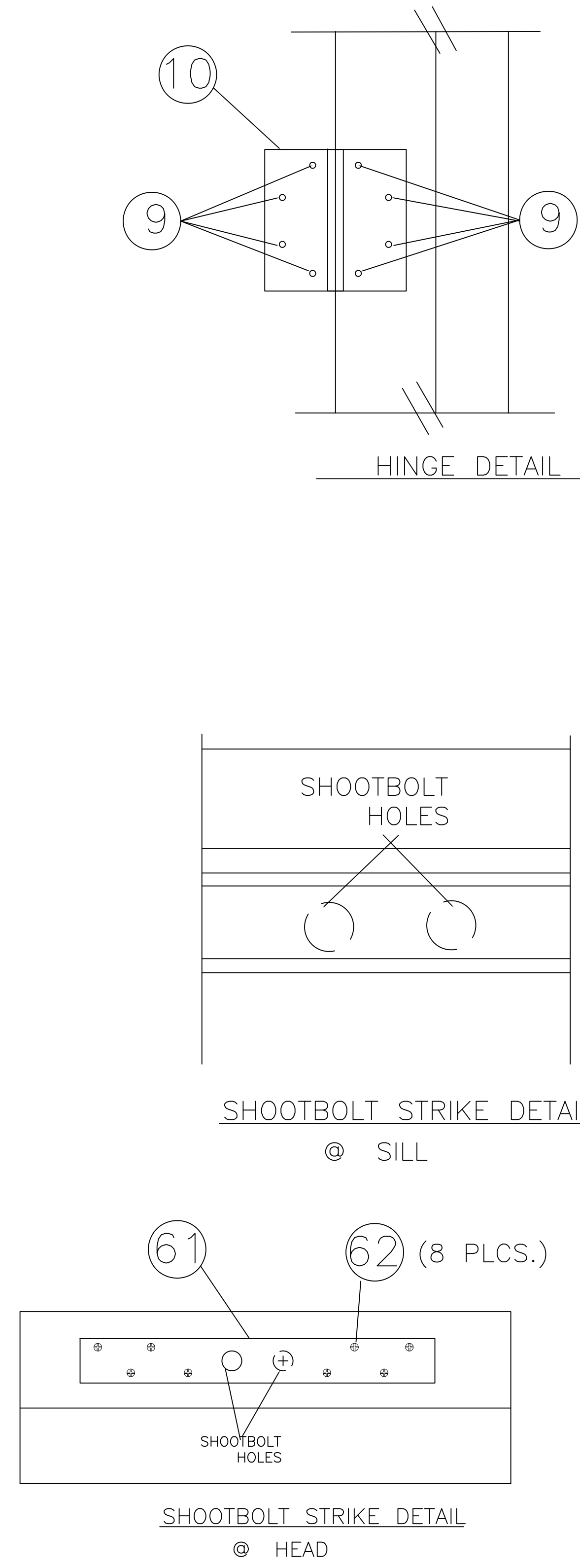
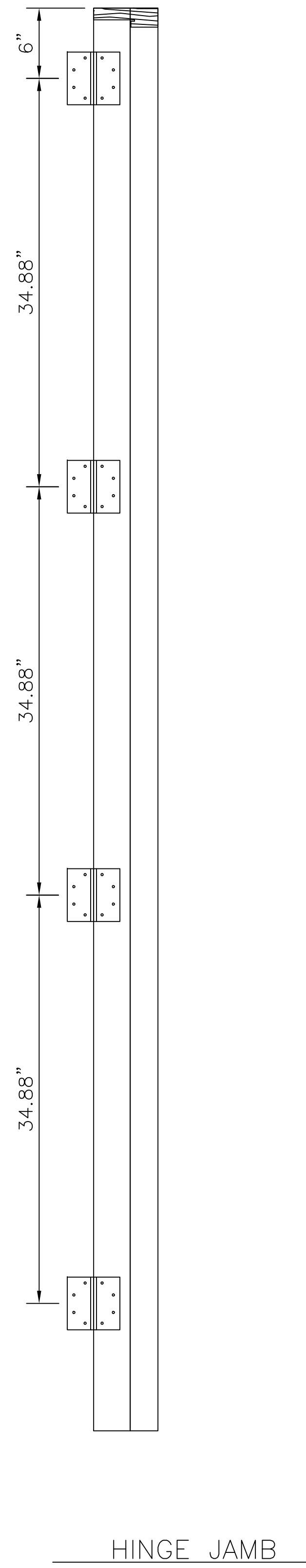
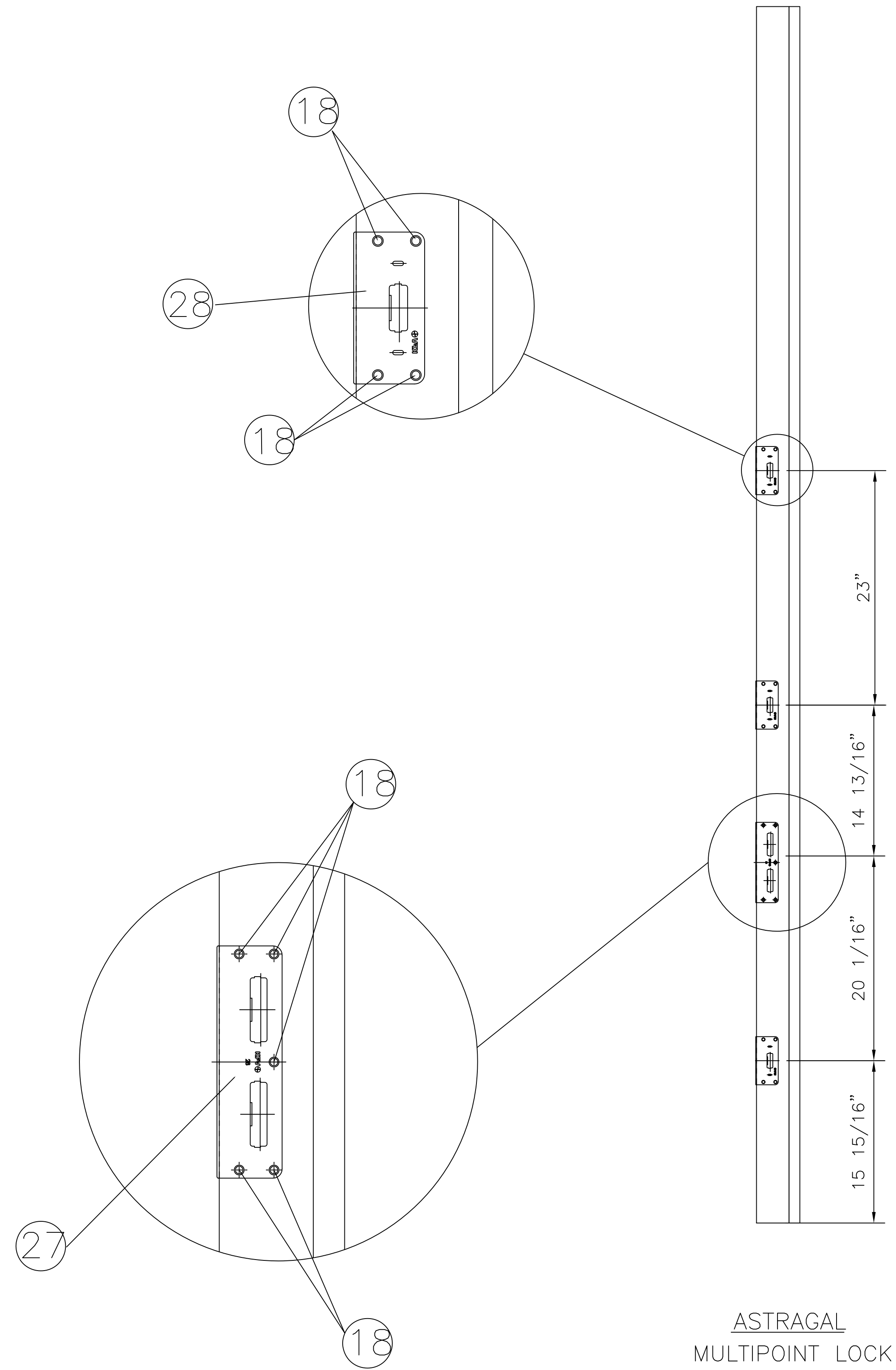
Product: GLAZED WOOD DOUBLE DOOR OUTSWING

FRAME ANCHORING

Date: 10-18-17
Scale: None
Drawn: JDS

Dwg: Nar-OS
FL34945.1

Sheet No.
6D OF 8



12/18/2020

TE&C
LUCAS A. TURNER, P.E. FL PE 58201
TURNER ENGINEERING & CONSULTING, INC.
FBPE COA #29779 PH. 941-380-1574
2428 OLD NATCHEZ TRACE TRAIL
CAMDEN, TN 38320

OWW LLC
3001 Tuxedo Ave., West Palm Beach, FL 33405
Ph. 561-478-7233 Fax 561-478-7858

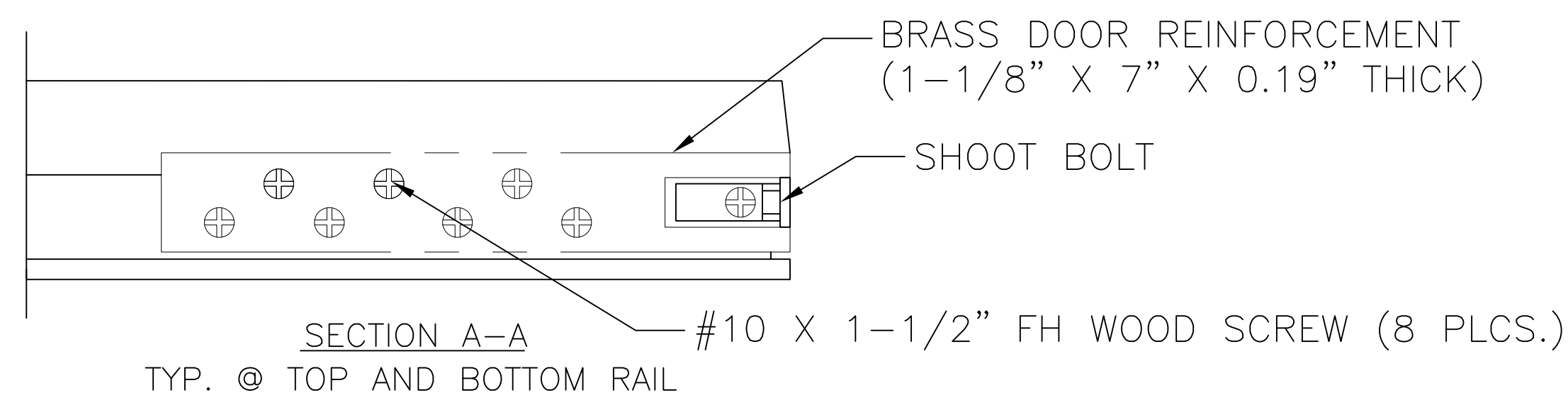
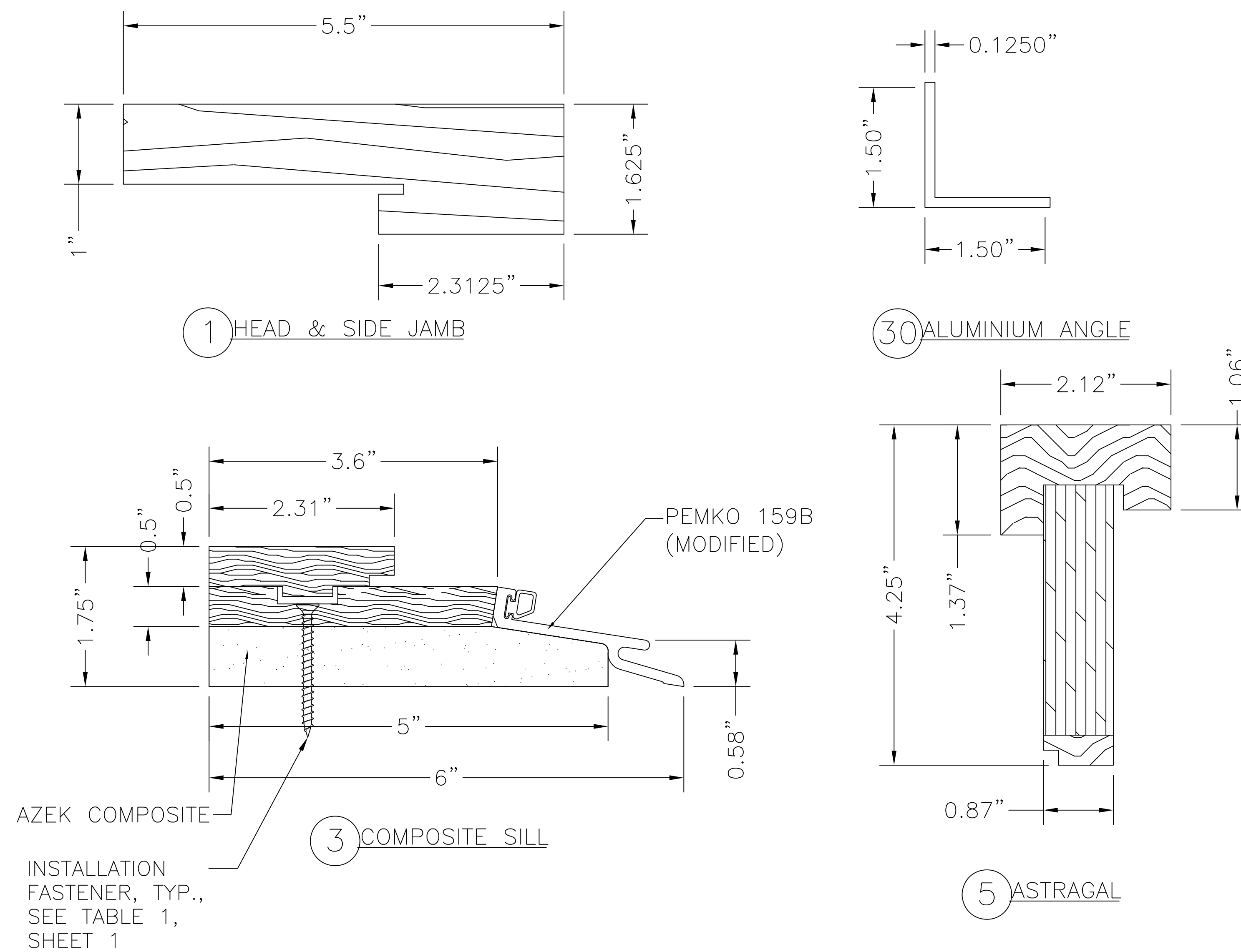
Product: GLAZED WOOD DOUBLE DOOR OUTSWING
Date: 10-18-17
Scale: None
Drawn: JDS

Dwg: Nar-OS
FL34945.1

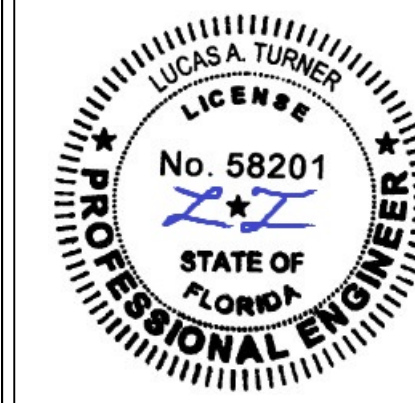
Sheet No.
7D OF 8

BILL OF MATERIALS		
ITEM #	DESCRIPTION	MATERIAL
B	2X BUCK (SG>=0.55)	WOOD
C	1/4" MAX.SHIM SPACE	-
E	MASONARY - 3,000 PSI MIN. CONCRETE CONFORMING TO ACI 301 OR HOLLOW BLOCK CONFORMING TO ASTM C90	CONCRETE
H	#8 X 1-1/2" PFH WOOD SCREW	STEEL
1	HEAD & SIDE JAMB	WOOD
3	BRASS SILL'	BRASS
3A	BRASS/COMPOSITE SILL (HVHZ)'	BRASS/COMP
5	ASTRAGAL	WOOD/LVL
7	WEATHERSTRIP (QLON QDS-650)	FOAM
9	#12 X 1-1/4" FH WOOD SCREW	STEEL
10	4-1/2" X 4-1/2" BUTT HINGE	STEEL
11	#10 X 1" PPH SMS	STEEL
15	#10 X 1-1/4" FH WOOD SCREW	STEEL
18	#8 X 1-1/4" PFH WOOD SCREW	STEEL
21	#8 X 2-1/2" FH WOOD SCREW	STEEL
27	MULTI POINT LATCH & DEADBOLT STRIKE PLATE	STEEL
28	MULTIPOINT HOOKBOLT STRIKE PLATE	STEEL
30	1-1/2" X 1-1/2" X 1/8" THICK ALUMINUM ANGLE (6063-T6)	ALUM
31	#10 X 2" FH WOOD SCREW (1-3/4" MIN. EMBED.)	STEEL
32	#10 X 1" FH WOOD SCREW	STEEL
33	SIMPSON STRONG-TIE A23Z ANGLE (18 GA.)	STEEL
40	GLAZED WOOD DOOR PANEL	WOOD
61	SHOOTBOLT STRIKE PLATE	BRASS
62	#8 X 1" FH SMS	STEEL

ALL DOOR COMPONENTS TO BE MAHOGANY (G=0.50 MINIMUM).



HARDWARE TABLE	
MANUFACTURER	MODEL
KFV	MULTIPOINT LOCK (Active Panel): Latch & Deadbolt, Hookbolts (3) & Shootbolts (2)
KFV	MULTIPOINT LOCK (inactive Panel): Shootbolts (2)



12/18/2020

TE&C

LUCAS A. TURNER, P.E. FL PE 58201
TURNER ENGINEERING & CONSULTING, INC.
FBPE COA #29779 PH. 941-380-1574
2428 OLD NATCHEZ TRACE TRAIL
CAMDEN, TN 38320

OWW LLC

3001 Tuxedo Ave., West Palm Beach, FL 33405
Ph. 561-478-7233 Fax 561-478-7858

Product: GLAZED WOOD DOUBLE DOOR OUTSWING

BILL OF MATERIALS & COMPONENTS

Date: 10-18-17
Scale: None
Drawn: JDS

Dwg: Nar-OS
FL34945.1

Sheet No.
8D OF 8