

GLAZED WOOD DOUBLE DOOR – INSWING – "IMPACT" BY OWW LLC

DESIGN PRESSURE = + 60.0 PSF, – 60.0 PSF

GENERAL NOTES

1. This product has been evaluated and is in compliance with 7th Edition (2020) Florida Building Code (FBC) structural requirements including the "High Velocity Hurricane Zone" (HVHZ). This product is tested for limited water performance (full water spray at zero pressure) and is intended only for areas where this is acceptable, or in nonhabitable areas, or in areas protected by a 1:1 overhang in accordance with FBC section 1709.5.1
2. Product anchors shall be as listed and spaced as shown on details. Anchor embedment to base materials shall be beyond wall dressing or stucco. All anchors used shall be of a material or have a coating compatible with pressure treated wood if used, and all other window materials.
3. When used in the "HVHZ" this product complies with Section 1626 of the FBC and does not require an impact resistant covering.
4. When used in areas outside of the "HVHZ" required wind borne debris protection, this product complies with FBC Sections 1609.1.2 & R301.2.1.2 and does not require an impact resistant covering. This product meets missile level "D" and includes Wind Zone 4 as defined in ASTM E 1996 and FBC Sections 1609.1.2.2 & R301.2.1.2.1.
5. The opening substrate materials (framing, masonry, bucks) are by others and must be properly designed and installed to transfer superimposed loads to the structure. For 2X stud framing construction, anchoring of these units shall be the same as that shown for 2X buck masonry construction. Wood bucks over masonry, if used, shall be pressure treated, with either a treatment or coating compatible with this product and anchors.
6. Site conditions that deviate from the details of this drawing require further engineering analysis by a licensed engineer or registered architect.
7. This product does not meet the water infiltration requirements for "HVHZ" and shall be installed only in non-habitable areas or at habitable locations protected by an overhang o canopy such that the angle between the edge of canopy or overhang to sill is less than 45 degrees. Sealing and flashing strategies for overall water infiltration resistance of the field-installed product shall be the responsibility of others and are not addressed by this document.

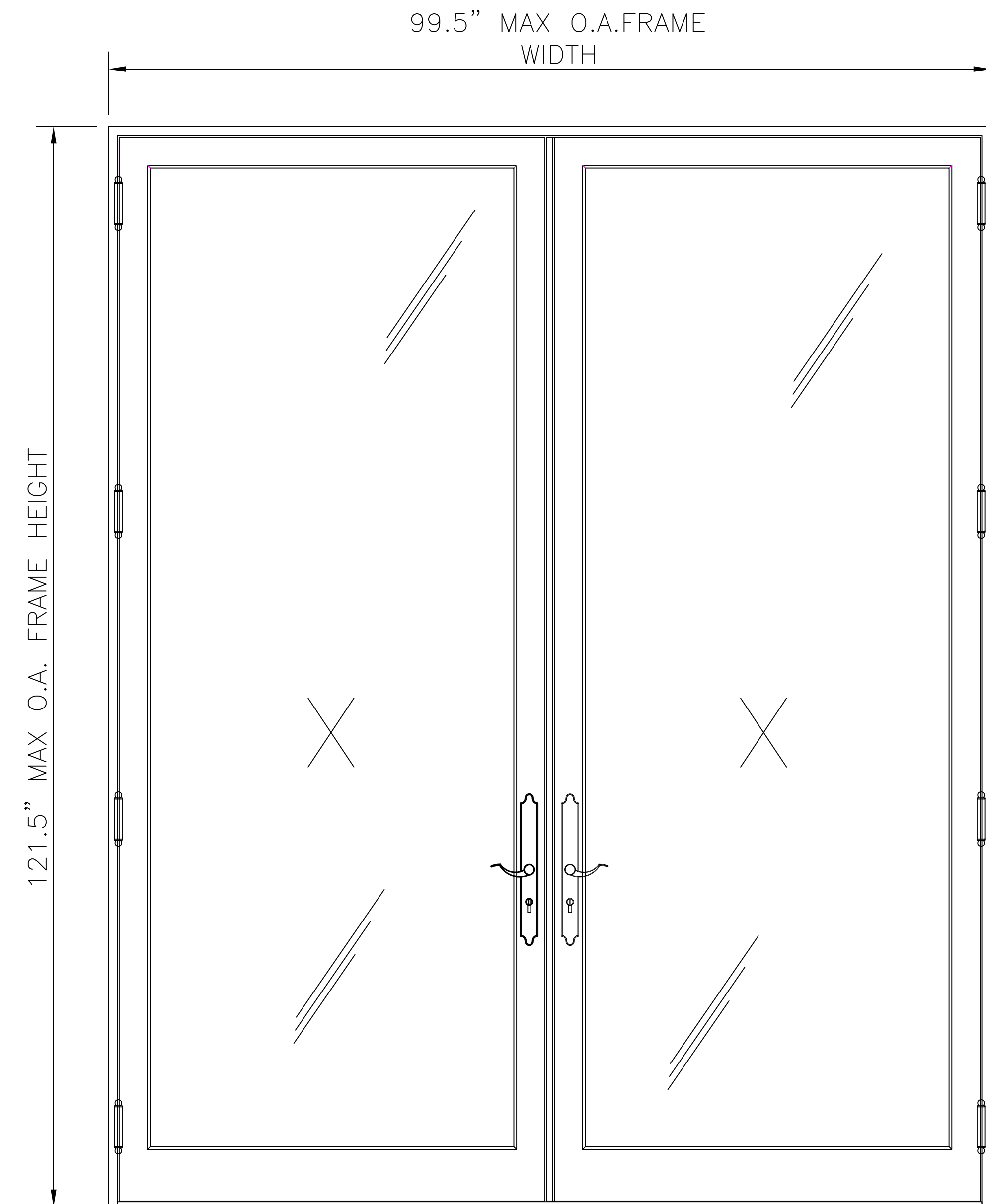
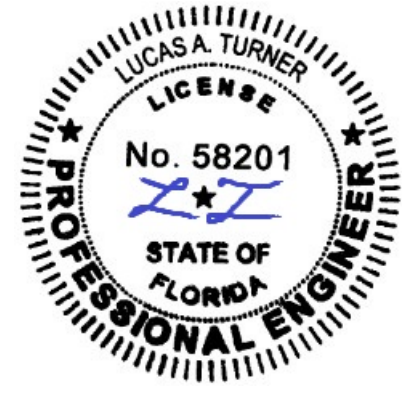


TABLE OF CONTENTS

| SHEET # | DESCRIPTION |
|---------|---|
| 1 | Typical elevation, design pressures & general notes |
| 2 | Door panel details and glazing details |
| 3 | Horizontal cross sections |
| 4 | Vertical cross sections |
| 5 | Buck and frame anchoring |
| 6 | Frame anchoring |
| 7 | Hardware details |
| 8 | Bill of materials and components |

TABLE 1. QUALIFIED ANCHOR INFORMATION

| ID | SUBSTRATE | ANCHOR | MIN. EMBEDMENT | MIN. EDGE DISTANCE |
|----|--|---|------------------|--------------------|
| A | SOLID UNCRACKED CONCRETE (2850 PSI MIN.) | 1/4" ELCO COATED CARBON STEEL ULTRACON | 1 3/8" | 1" |
| B | GROUT-FILLED CMU (ASTM C-90) (JAMBS ONLY) | 1/4" ELCO COATED CARBON STEEL ULTRACON | 1 3/4" | 2 1/2" |
| C | SOLID UNCRACKED CONCRETE (2000 PSI MIN.) | 1/4" ITW COATED CARBON STEEL TAPCON | 1 1/2" | 1 1/2" |
| D | HOLLOW CMU (117 PCF MIN.) (JAMBS ONLY) | 1/4" ITW COATED CARBON STEEL TAPCON | 1" | 2" |
| E | CONCRETE (3000 PSI MIN) | 1/4" HILTI COATED CARBON STEEL OR STAINLESS STEEL KWIK-CON II | 1" | 2 1/2" |
| F | HOLLOW OR GROUT-FILLED CMU (ASTM C-90) | 1/4" HILTI COATED CARBON STEEL OR STAINLESS STEEL KWIK-CON II | 1" | 2 1/2" |
| G | 2x MIN. SOUTHERN PINE WOOD (G=0.55 MIN) | #12 GRADE 5 WOOD SCREW | 1 1/2" | 1" |
| H | 16 GAUGE (0.060") MIN. STEEL STUD (33 KSI YIELD MIN.) OR 1/8" MIN. ALUMINUM (6063-T5 MIN.) | #14 ITW TEKS SELF-DRILLING SCREW | FULL + 3 THREADS | 1/2" |



12/18/2020

TE&C
LUCAS A. TURNER, P.E., FL PE 58201
TURNER ENGINEERING & CONSULTING, INC.
FBPE COA #297779 PH. 941-380-1574
2428 OLD NATCHEZ TRACE TRAIL
CAMDEN, TN 38320

OWW LLC
3001 Tuxedo Ave., West Palm Beach, Fl. 33405
Ph. 561-478-7233 Fax 561-478-7858

Product: GLAZED WOOD DOUBLE DOOR INSWING

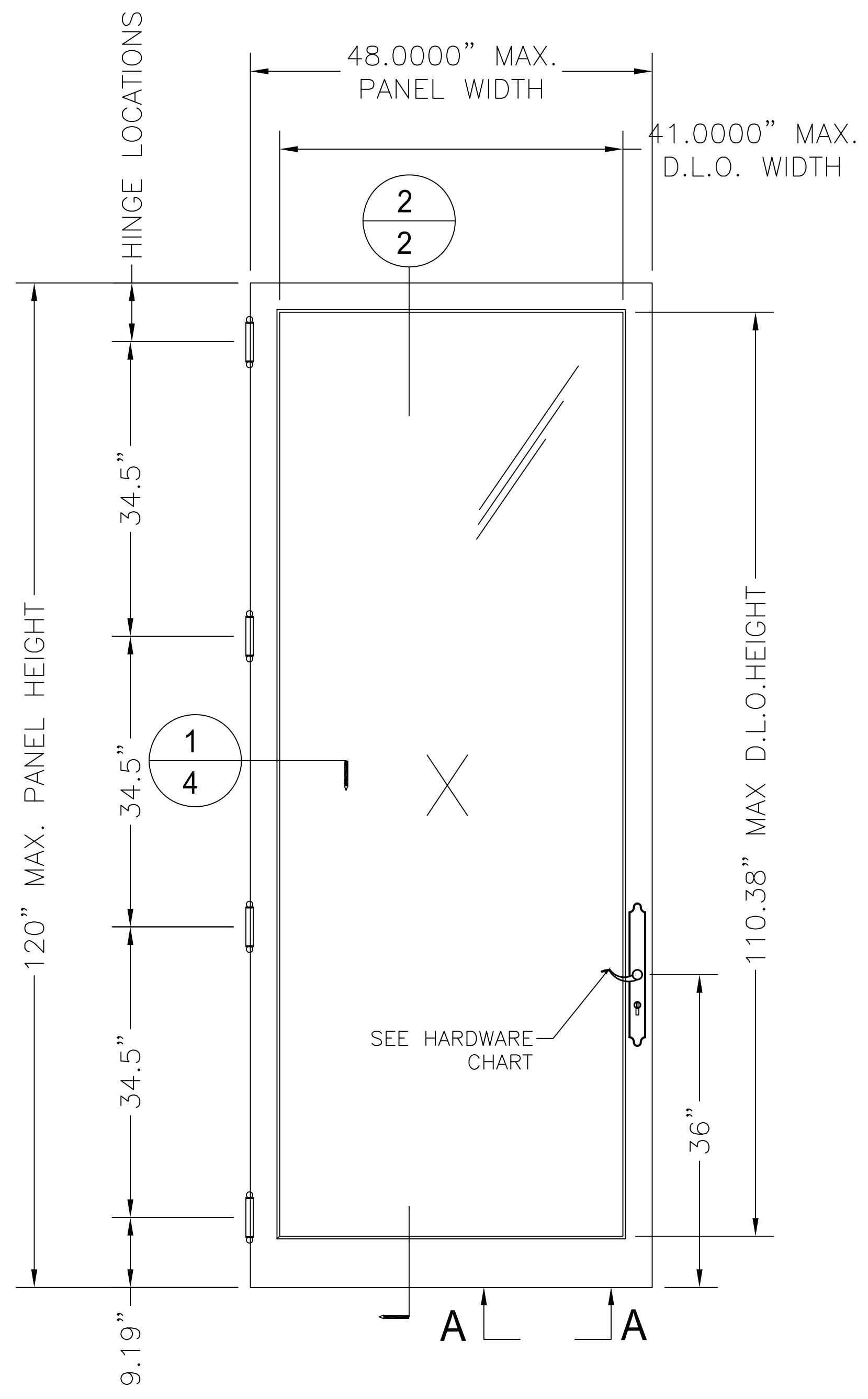
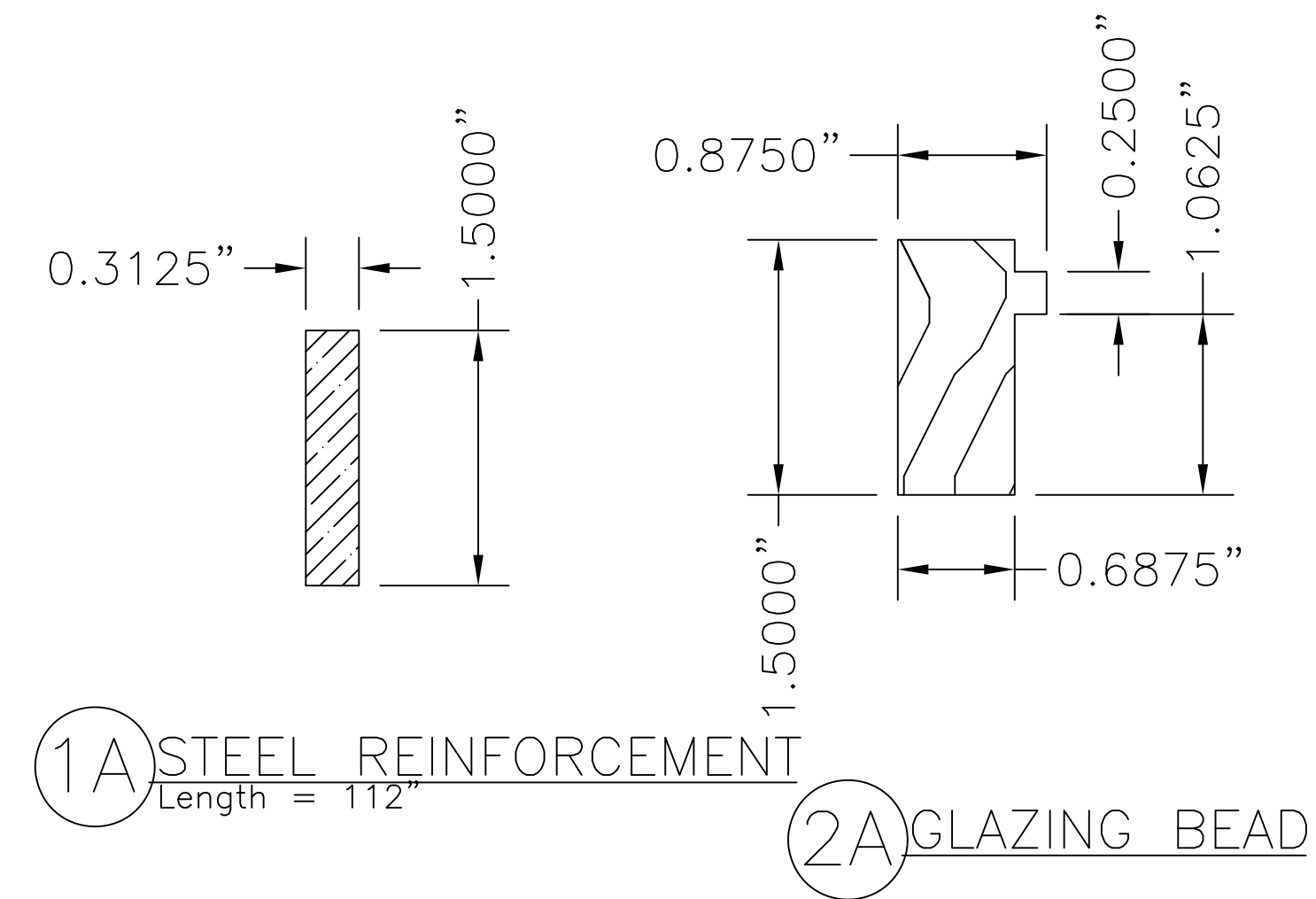
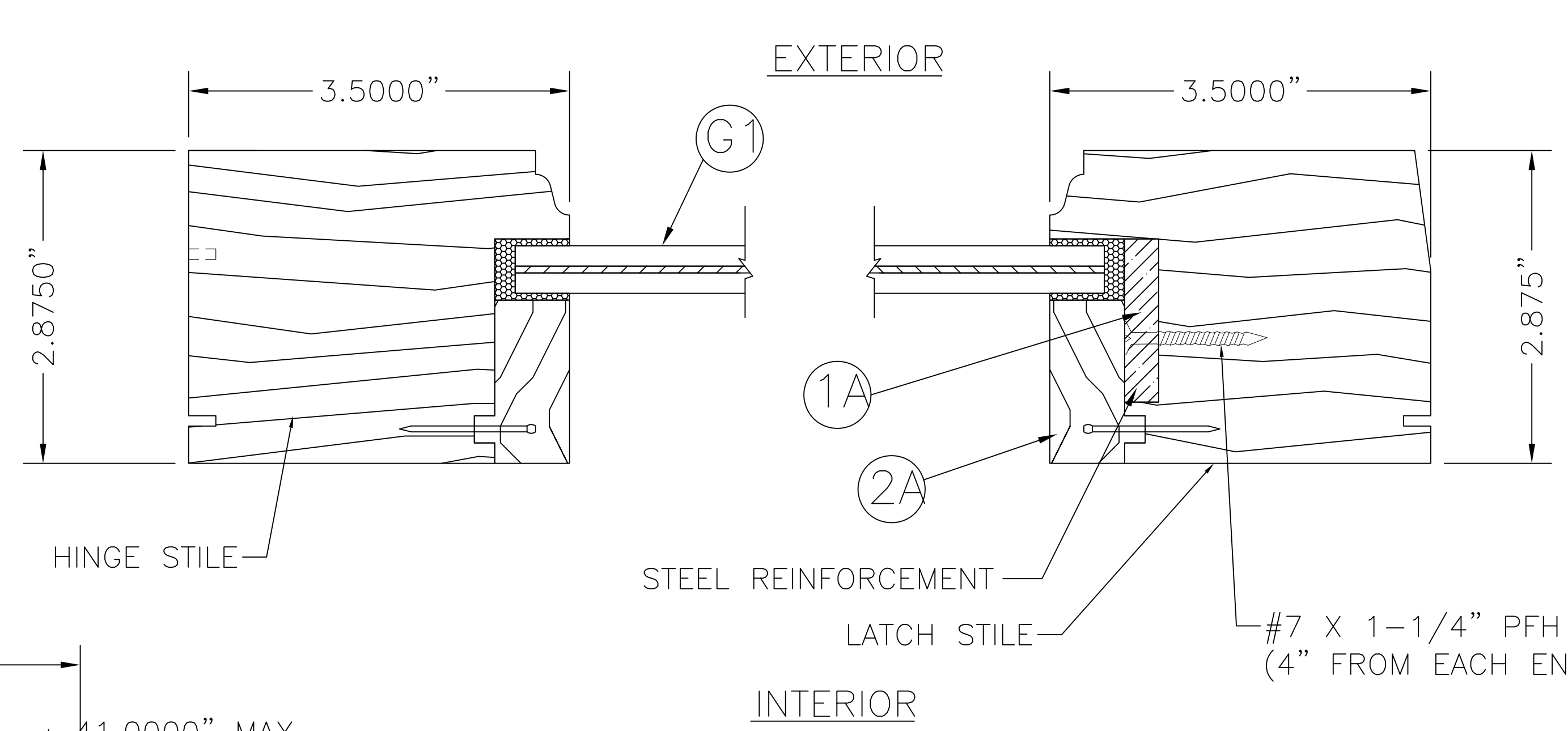
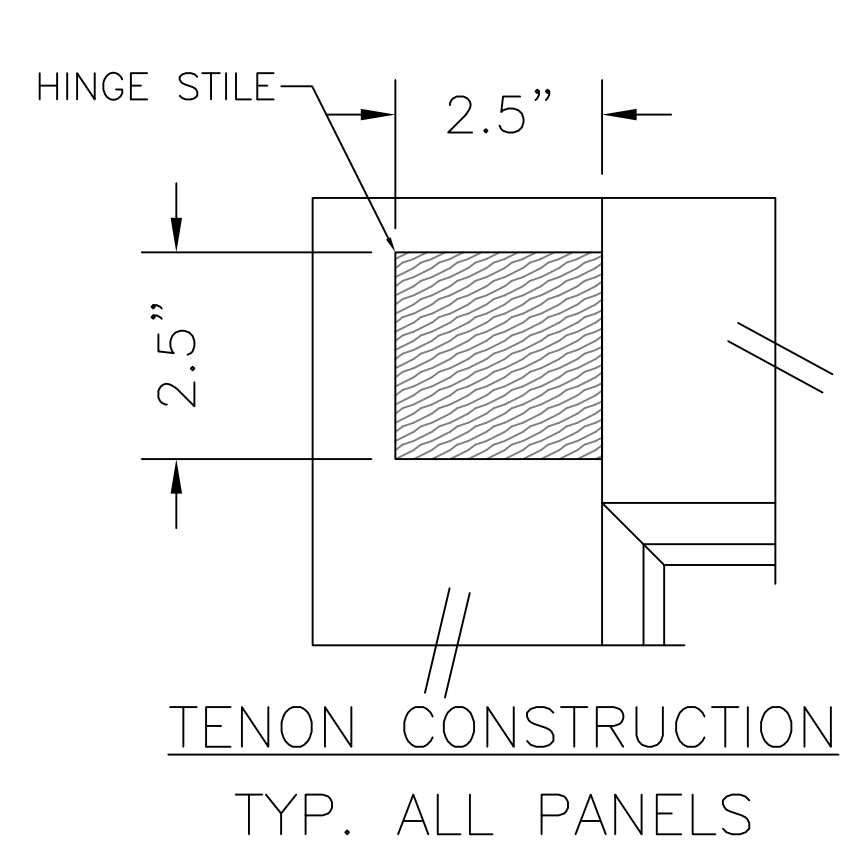
TYPICAL ELEVATION, DESIGN PRESSURES & GENERAL NOTES

Date: 05-01-18

Scale: None
Drawn: JDS

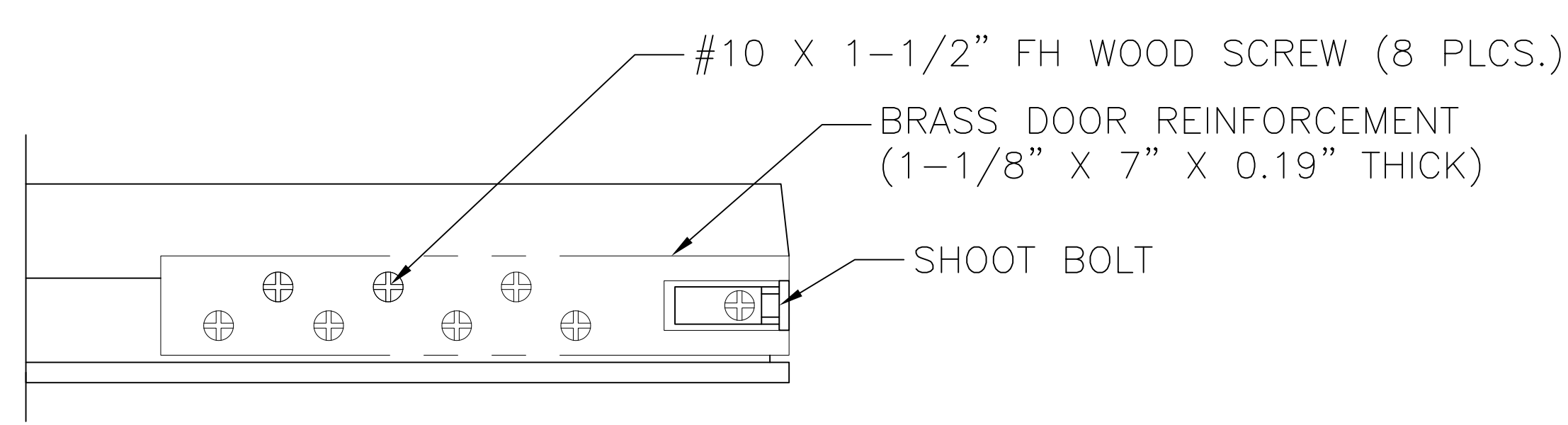
Dwg: Nar-IS
FL34945.2

Sheet No.
1D OF 8



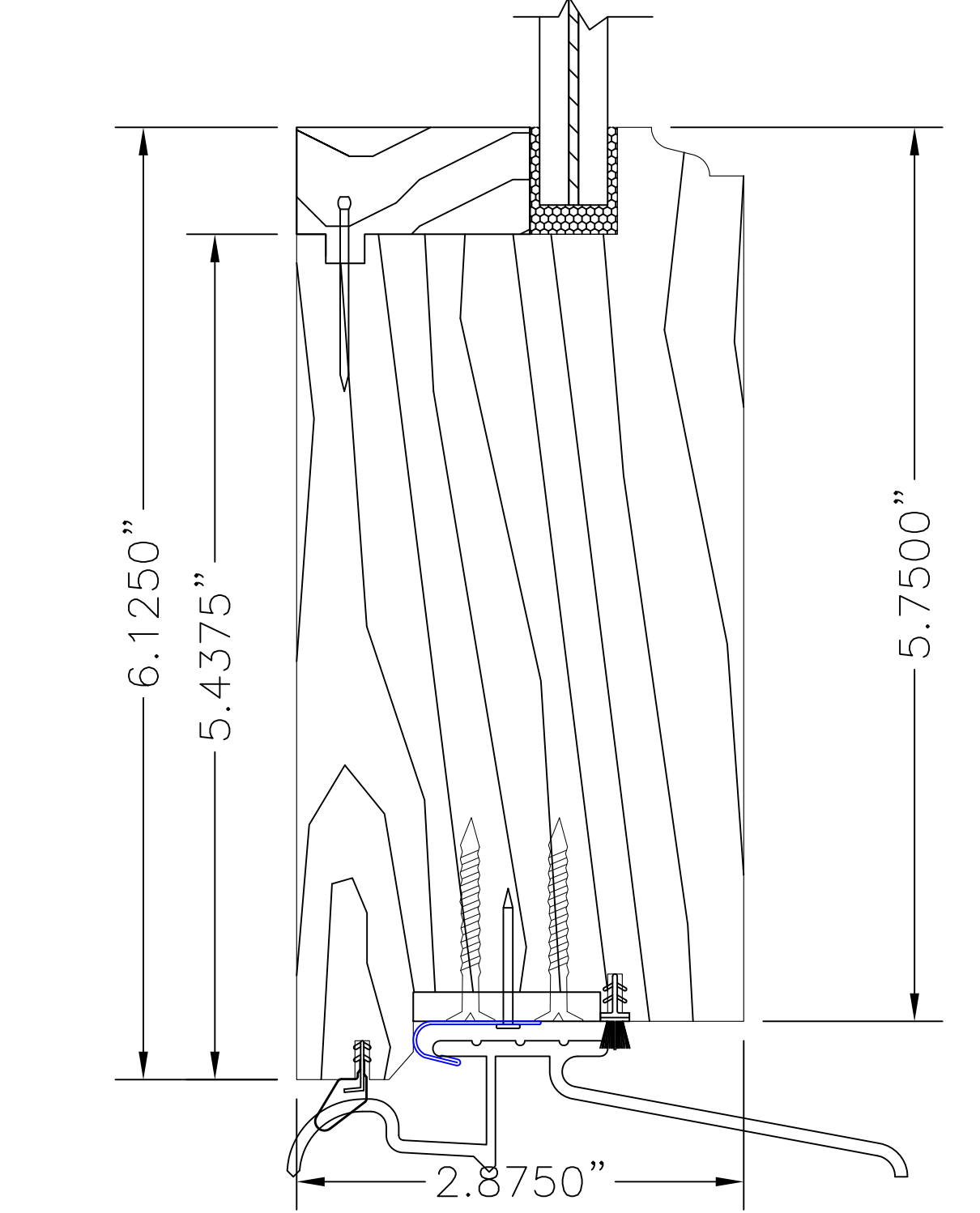
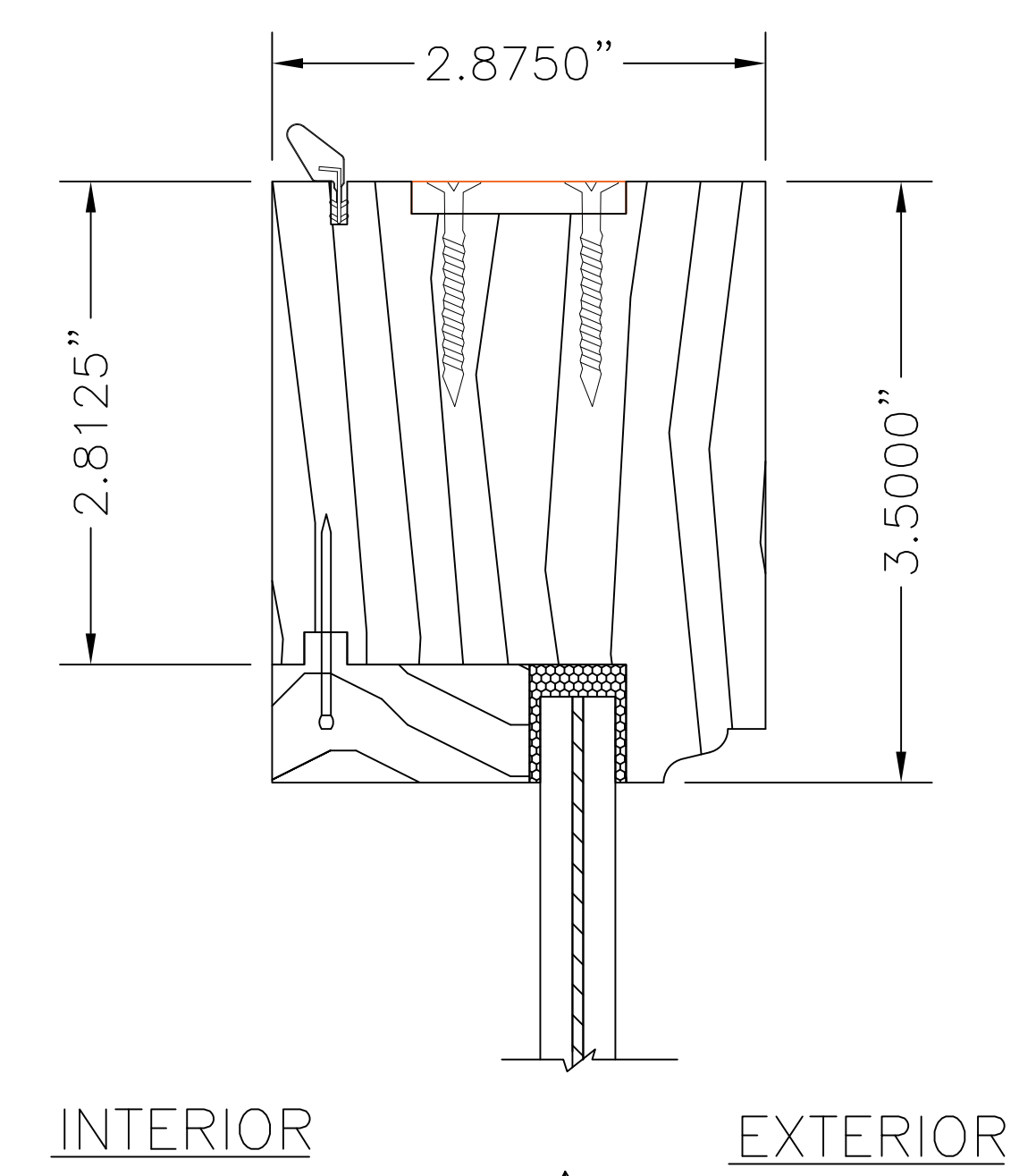
1/2 HORIZONTAL CROSS SECTION

NOTE: GLAZING DETAILS 1 THROUGH 4 MAY BE USED W/ ALL SECTION DETAILS



SECTION A-A
TYP. @ TOP AND BOTTOM RAIL

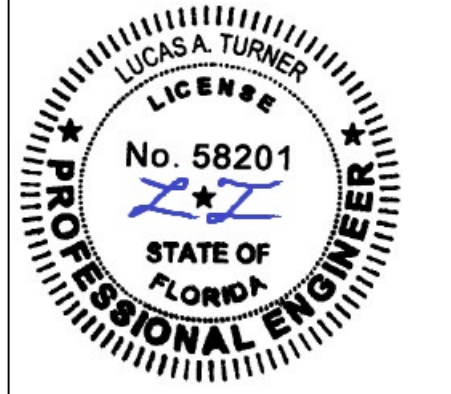
| HARDWARE TABLE | |
|----------------|---|
| MANUFACTURER | MODEL |
| KFV | MULTIPOINT LOCK (Active Panel): Latch & Deadbolt, Hookbolts (3) & Shootbolts (2) |
| KFV | MULTIPOINT LOCK (inactive Panel): Shootbolts (2) |



2/2 VERTICAL CROSS SECTION

40 GLAZED WOOD PANEL DOOR
Oliveri Millworks
Full Glazed

WOOD DOOR COMPONENTS: MAHOGANY
(MIN. G >= 0.50)



12/18/2020

TE&C
LUCAS A. TURNER, P.E. FL PE 58201
TURNER ENGINEERING & CONSULTING, INC.
FBPE COA #297779 PH. 941-380-1574
2428 OLD NATCHEZ TRACE TRAIL
CAMDEN, TN 38320

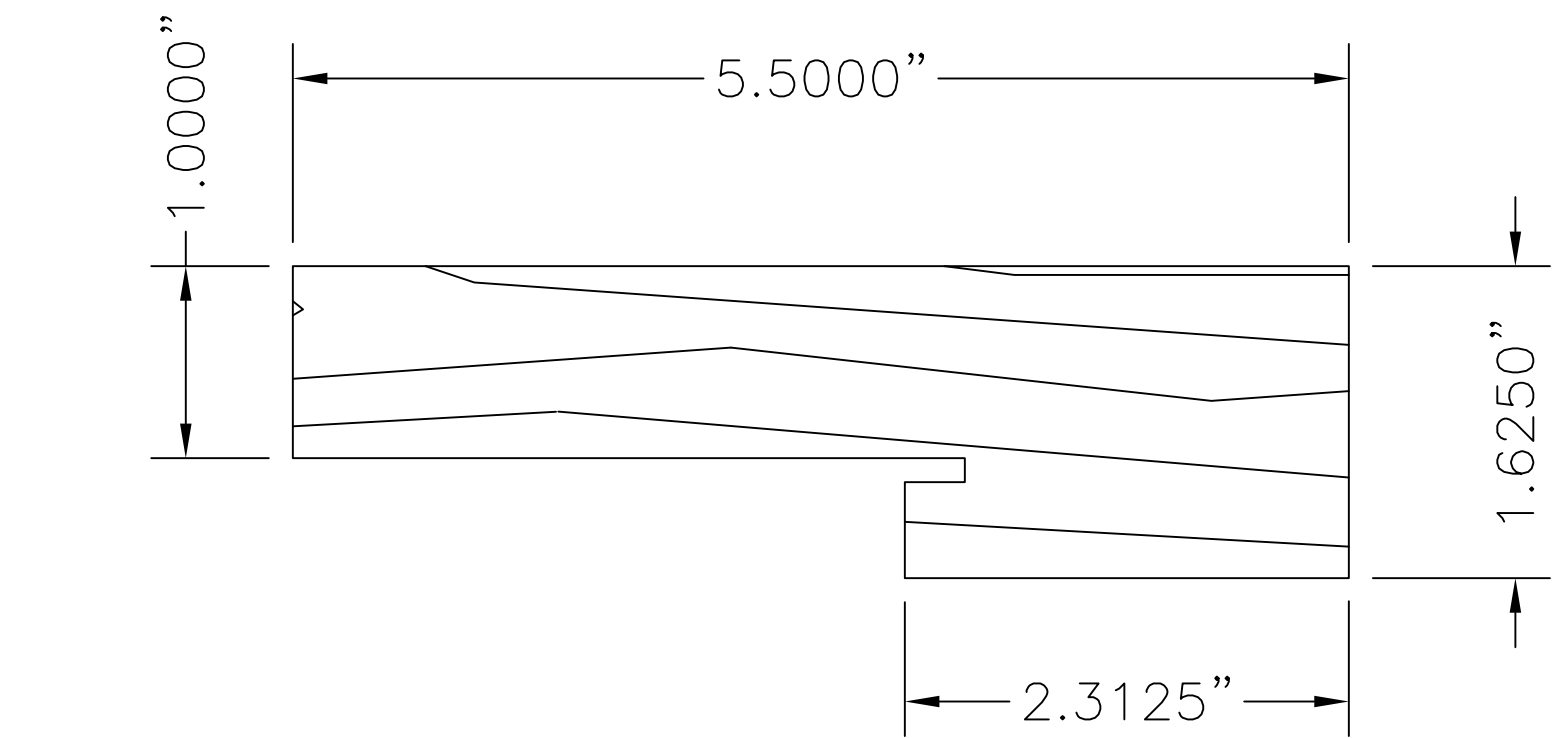
OWW LLC
3001 Tuxedo Ave., West Palm Beach, FL 33405
Ph. 561-478-7233 Fax 561-478-7858

Product: GLAZED WOOD DOUBLE DOOR INSWING
Date: 05-01-18
Scale: None
Drawn: JDS

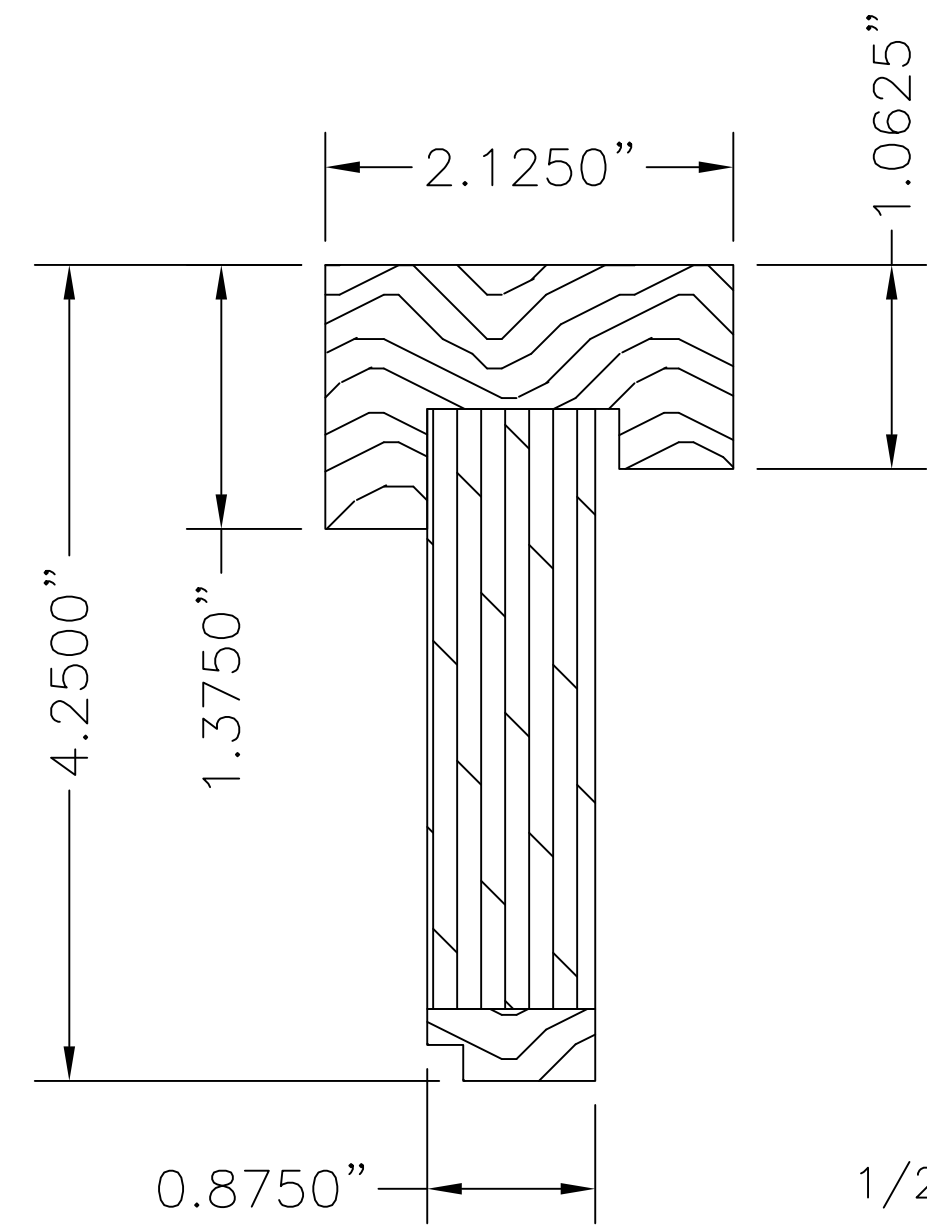
DOOR PANEL DETAILS
& GLAZING DETAILS

Dwg: Nar-IS
FL34945.2

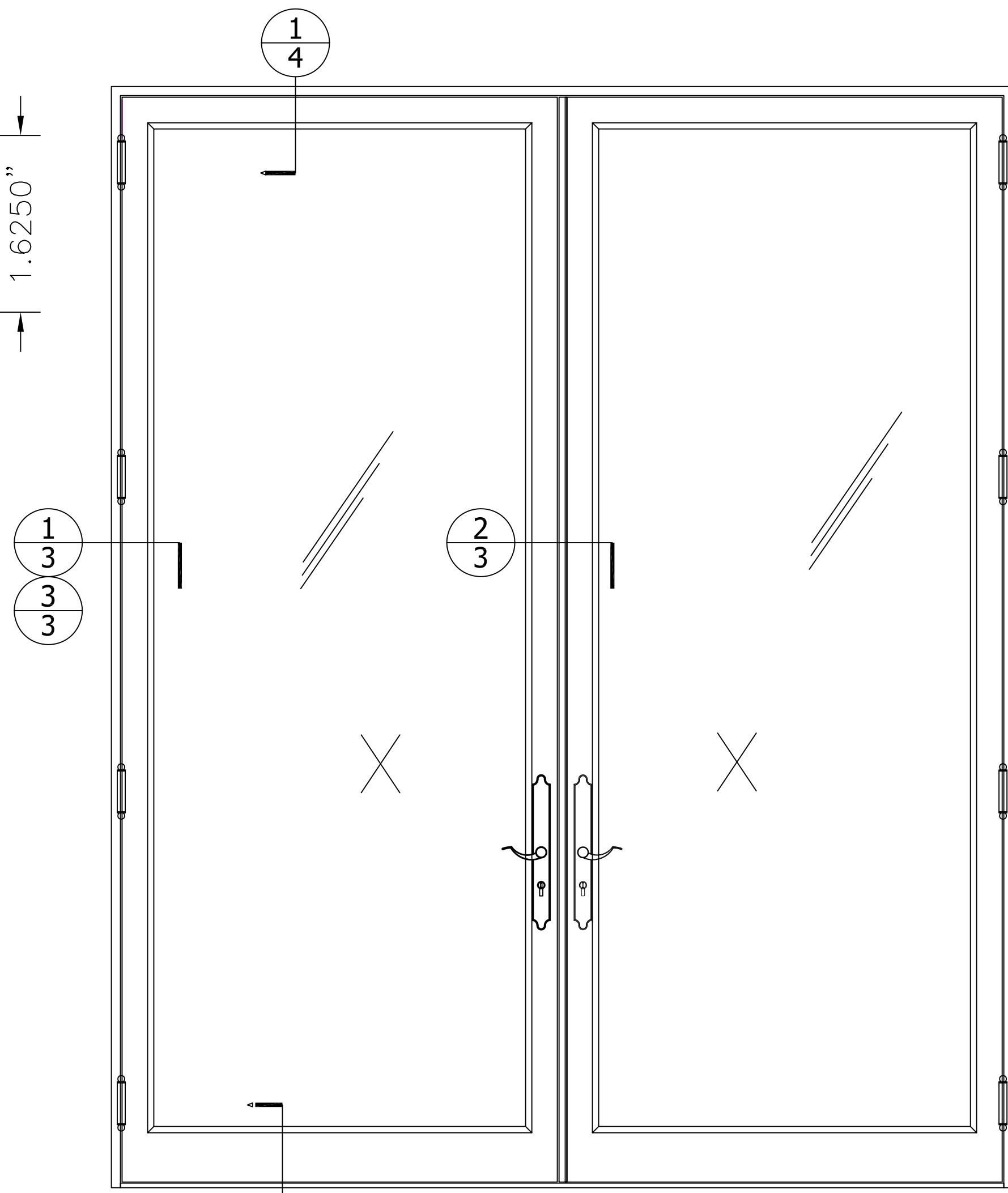
Sheet No.
2D OF 8



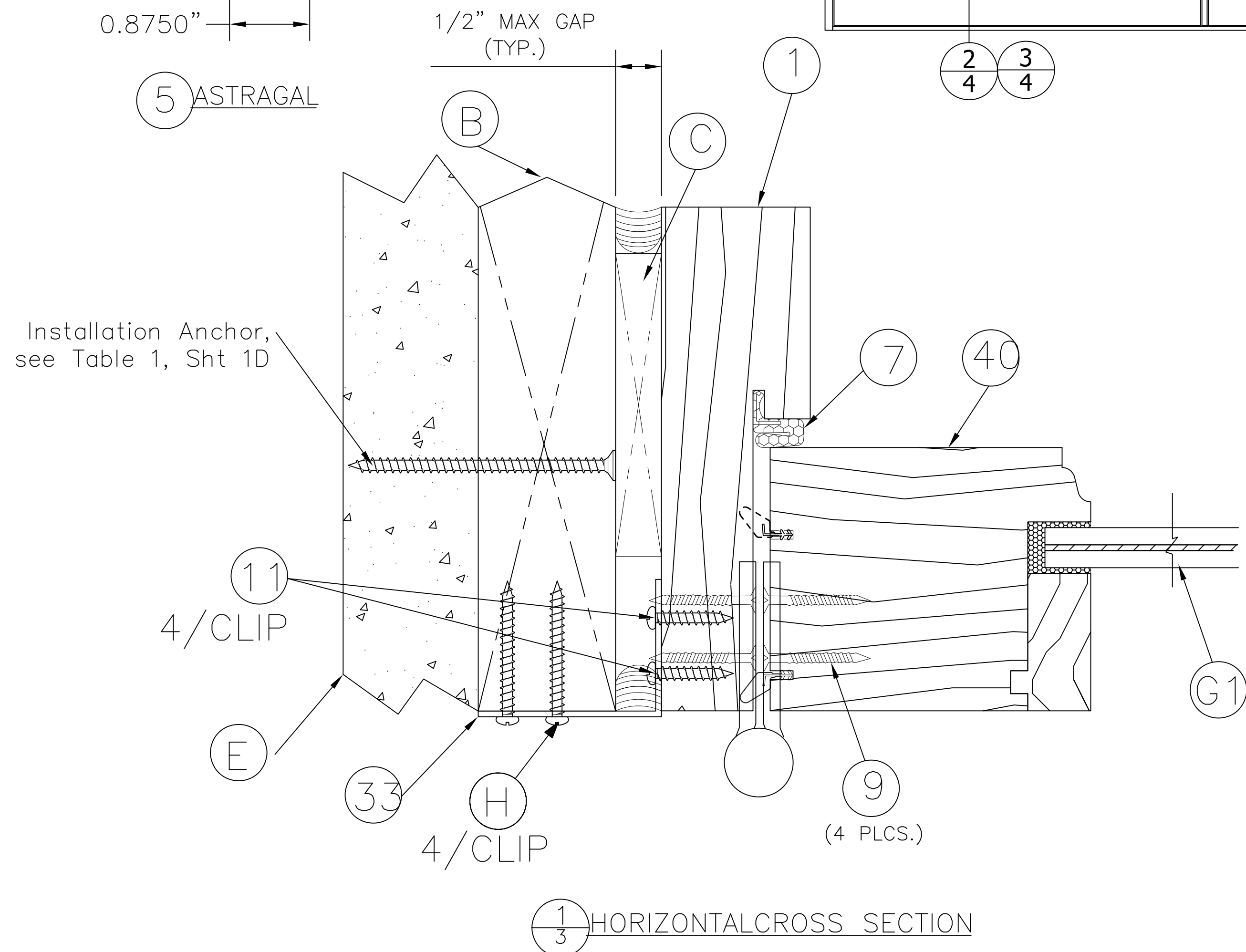
1 HEAD & SIDE JAMB



5 ASTRAGAL



1 2 3 4 32

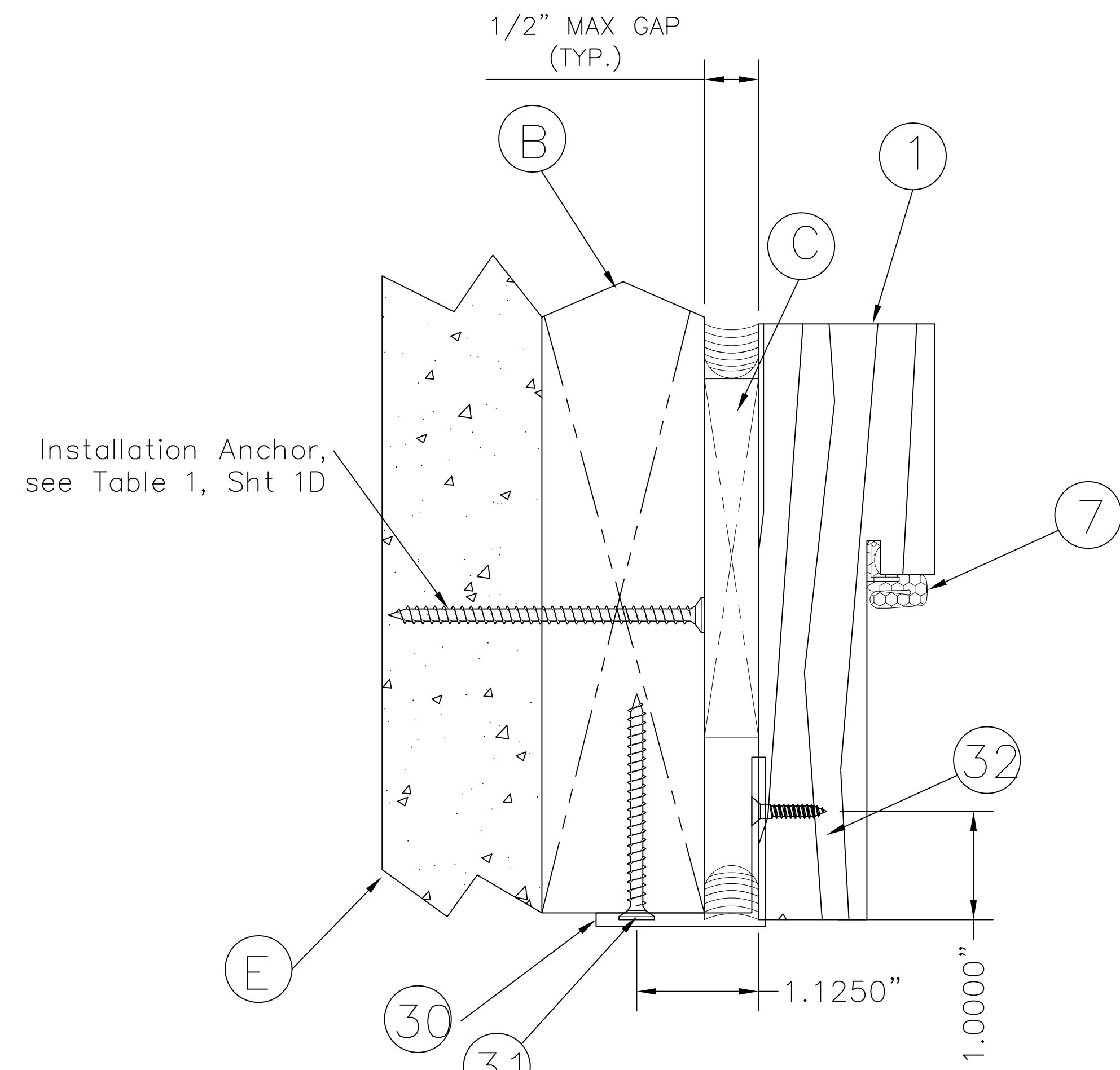


1 HORIZONTALCROSS SECTION

NOTE: GLAZING DETAILS 1 THROUGH 4 MAY BE USED W/ ALL SECTION DETAILS

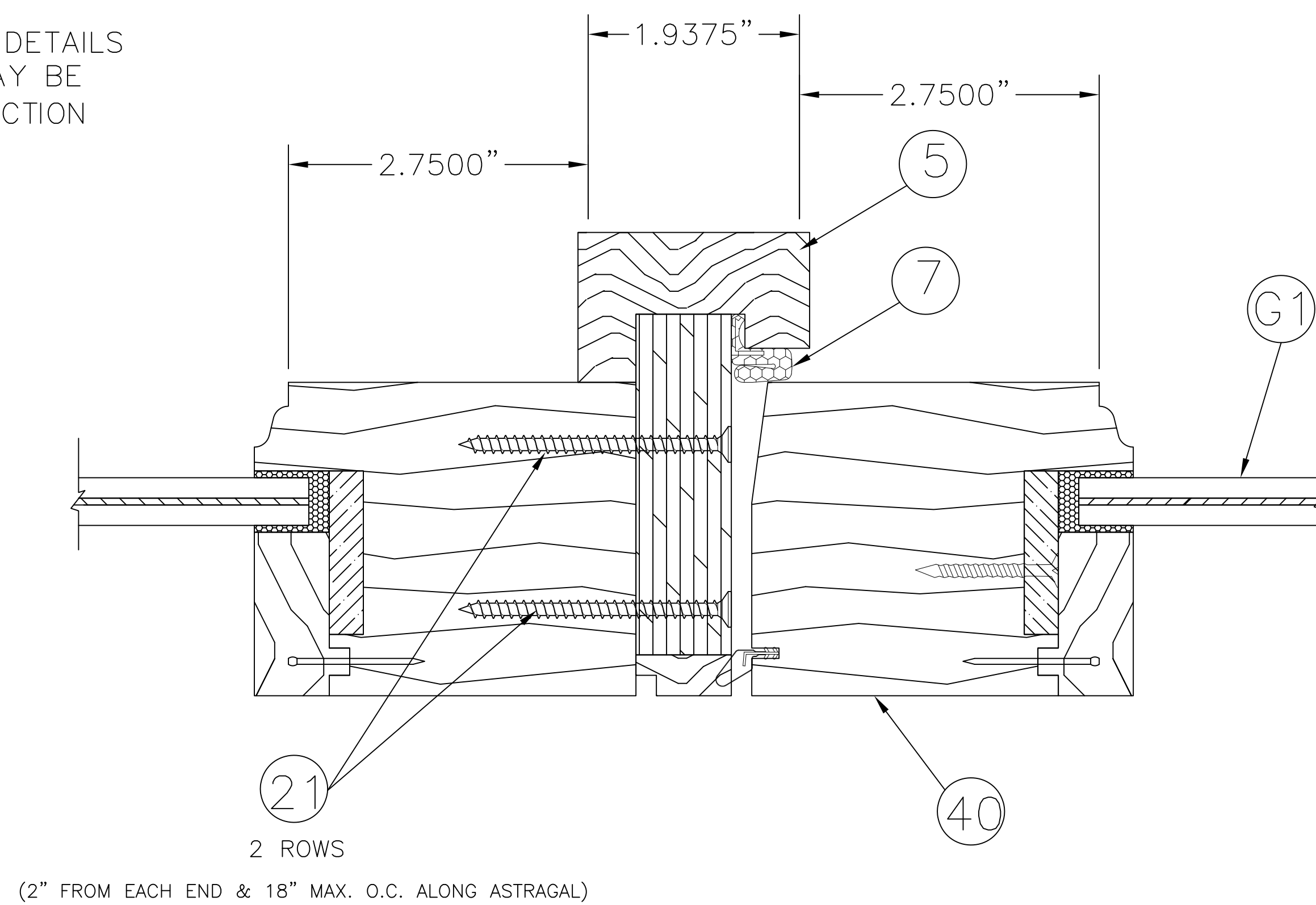
EXTERIOR

INTERIOR

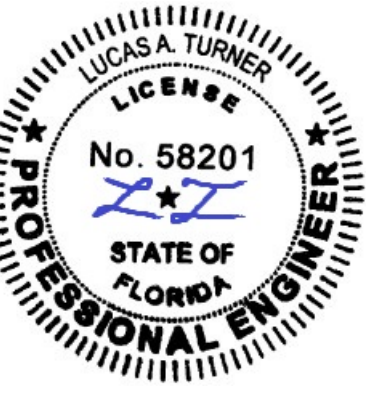


3 HORIZONTALCROSS SECTION
Aluminum Angle Anchoring Shown

NOTES:
1. Spacing for item #32: 2" from each end & 10" O.C. max thereafter



(2" FROM EACH END & 18" MAX. O.C. ALONG ASTRAGAL)



12/18/2020

TE&C
LUCAS A. TURNER, P.E. FL PE 58201
TURNER ENGINEERING & CONSULTING, INC.
FBPE COA #29779 PH. 941-380-1574
2428 OLD NATCHEZ TRACE TRAIL
CAMDEN, TN 38320

OWW LLC
3001 Tuxedo Ave., West Palm Beach, FL 33405
Ph. 561-478-7233 Fax 561-478-7858

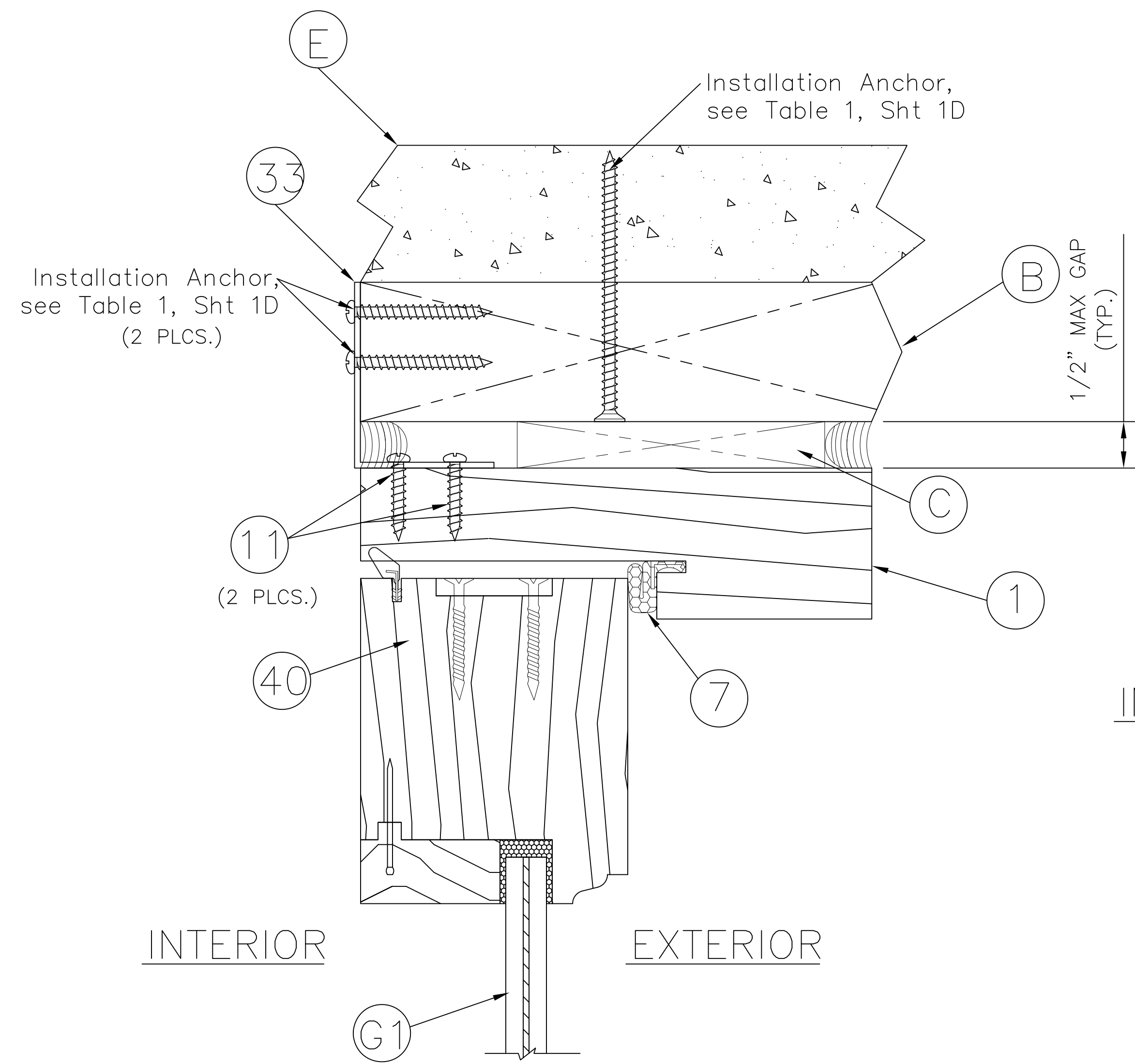
Product: GLAZED WOOD DOUBLE DOOR INSWING

HORIZONTAL CROSS SECTIONS

Date: 05-01-18
Scale: None
Drawn: JDS

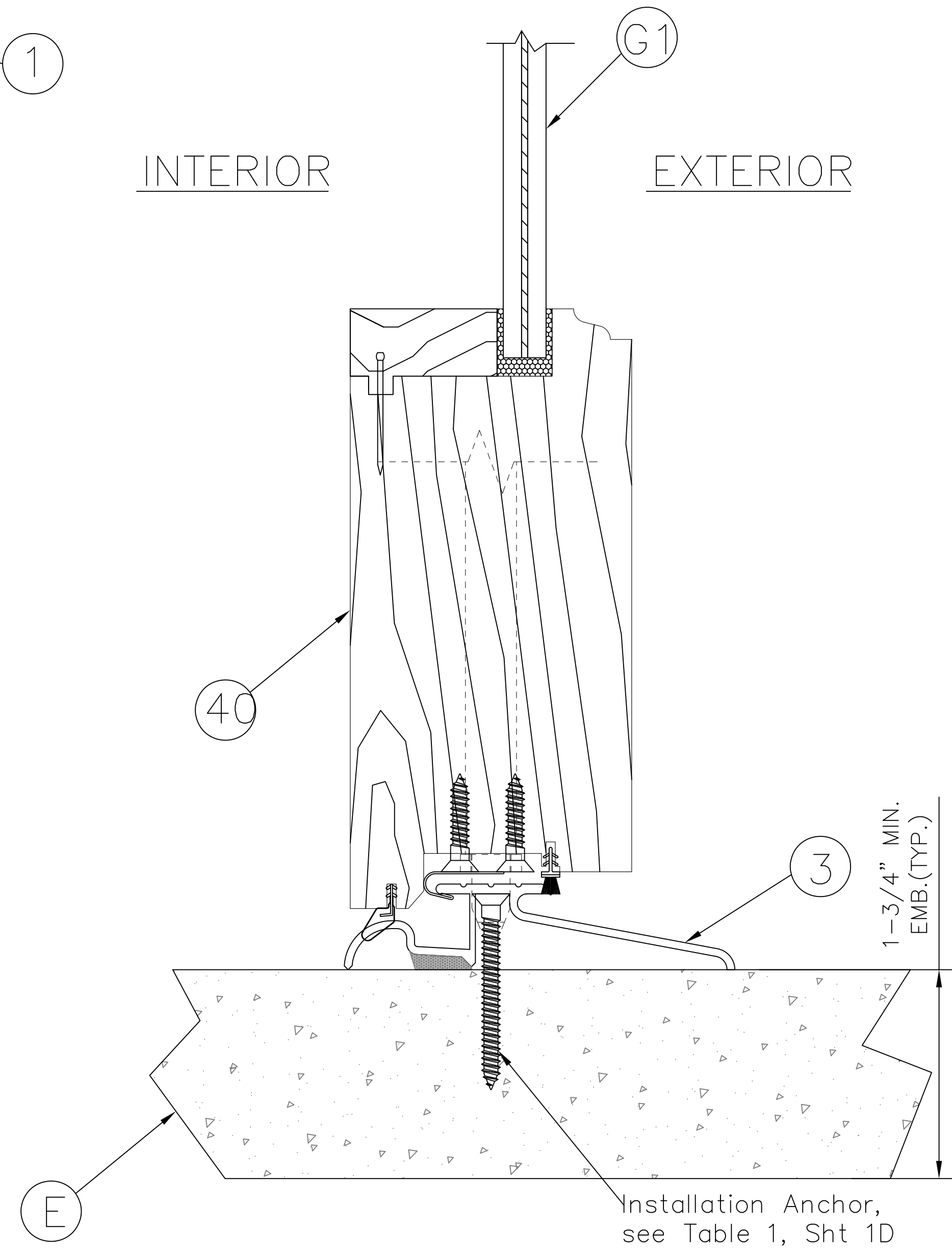
Dwg: Nar-IS
FL34945.2

Sheet No.
3D OF 8

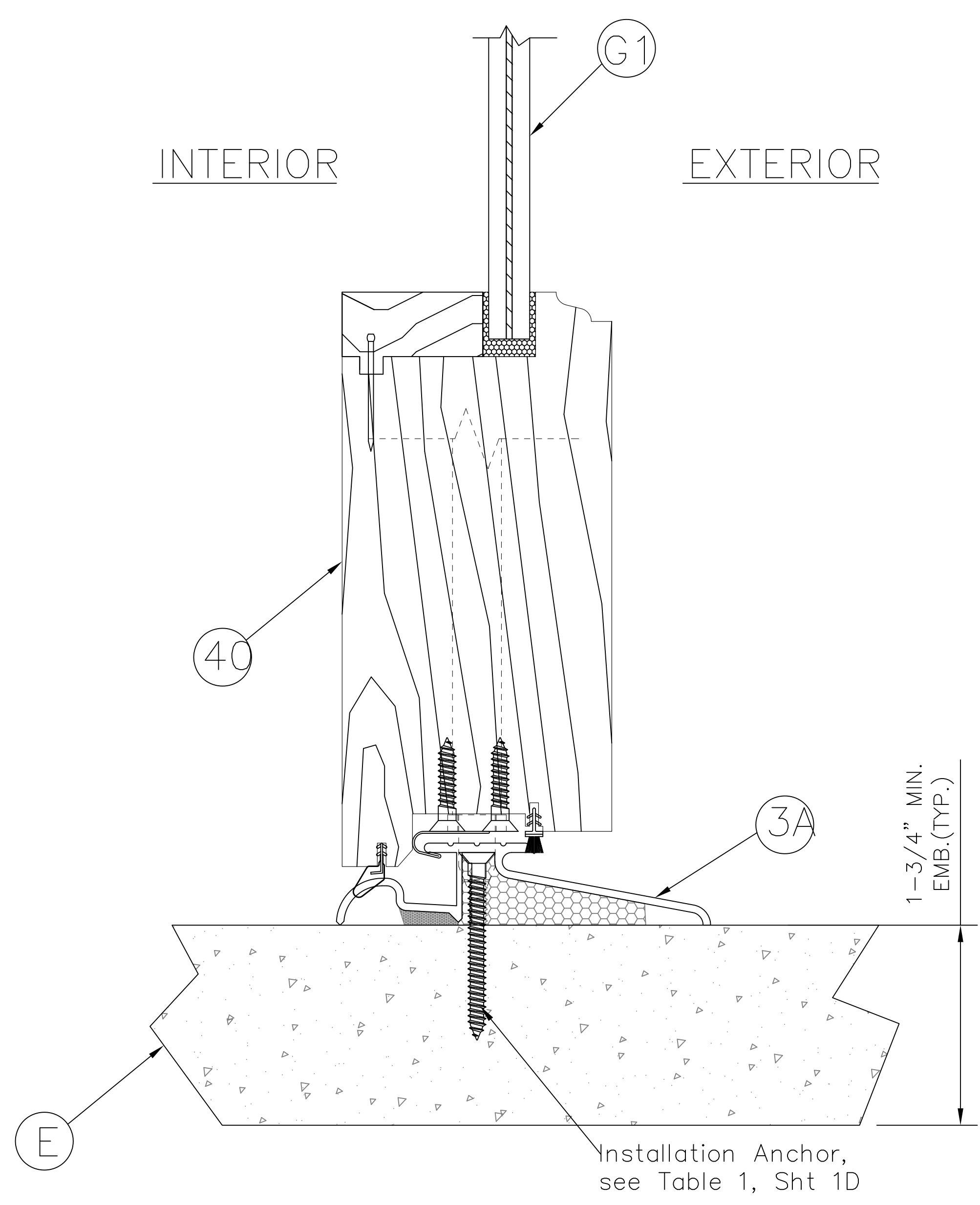


1/4 VERTICAL CROSS SECTION

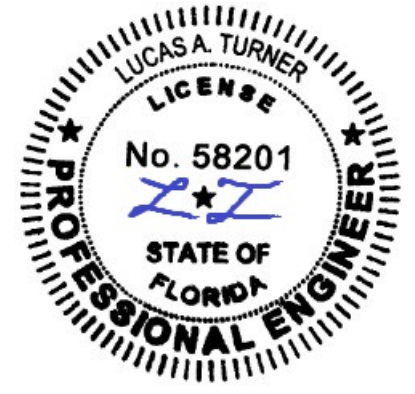
NOTE: GLAZING DETAILS 1 THROUGH 4 MAY BE USED W/ ALL SECTION DETAILS



2/4 VERTICAL CROSS SECTION



3/4 VERTICAL CROSS SECTION



12/18/2020

TE&C
LUCAS A. TURNER, P.E. - FL PE 58201
TURNER ENGINEERING & CONSULTING, INC.
FBPE COA #29779 PH. 941-380-1574
2428 OLD NATCHEZ TRACE TRAIL
CAMDEN, TN 38320

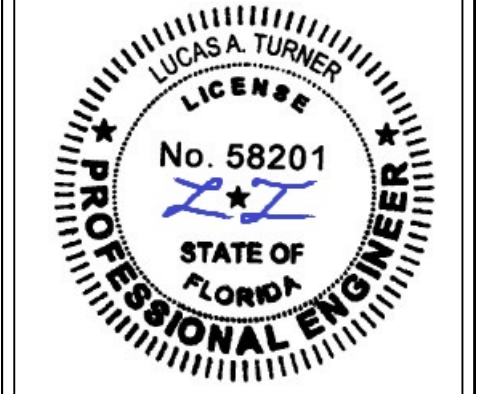
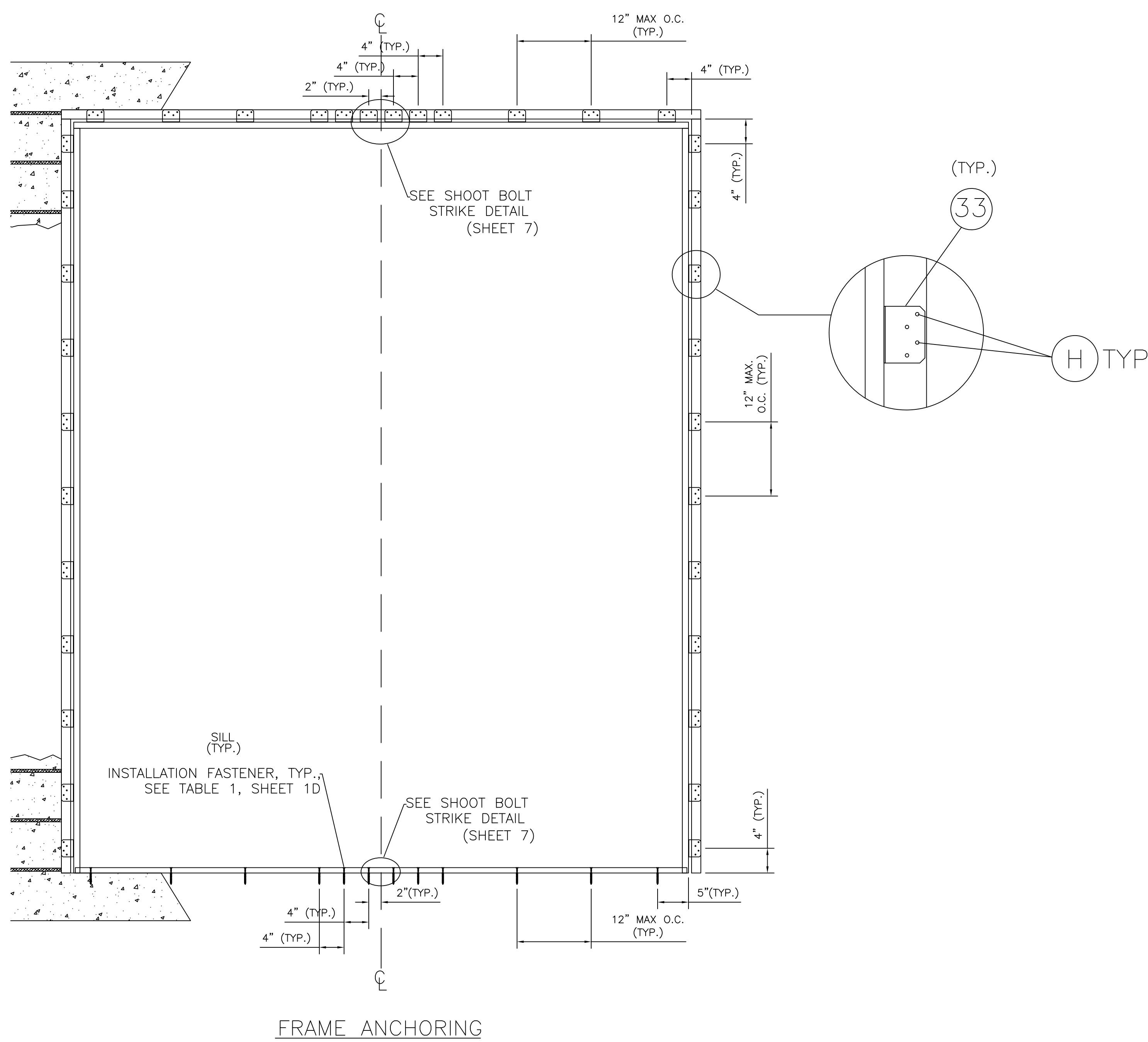
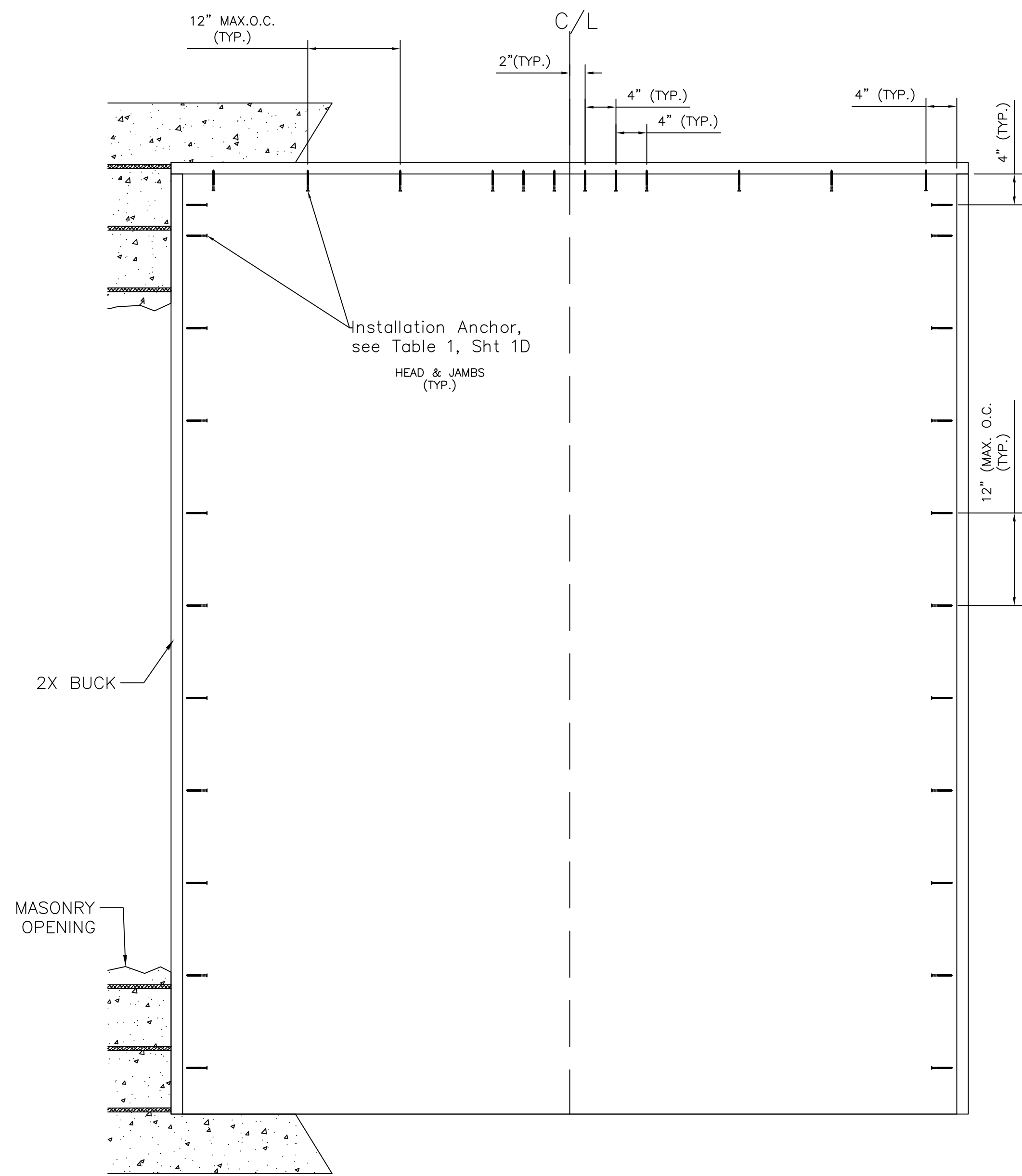
OWW LLC
3001 Tuxedo Ave., West Palm Beach, FL 33405
Ph. 561-478-7233 Fax 561-478-7858

Product: GLAZED WOOD DOUBLE DOOR INSWING

Date: 05-01-18
Scale: None
Drawn: JDS

Dwg: Nar-IS
FL34945.2

Sheet No.
4D OF 8



12/18/2020

TE&C
 LUCAS A. TURNER, P.E. FL PE 58201
 TURNER ENGINEERING & CONSULTING, INC.
 FBPE COA #29779 PH. 941-380-1574
 2428 OLD NATCHEZ TRACE TRAIL
 CAMDEN, TN 38320

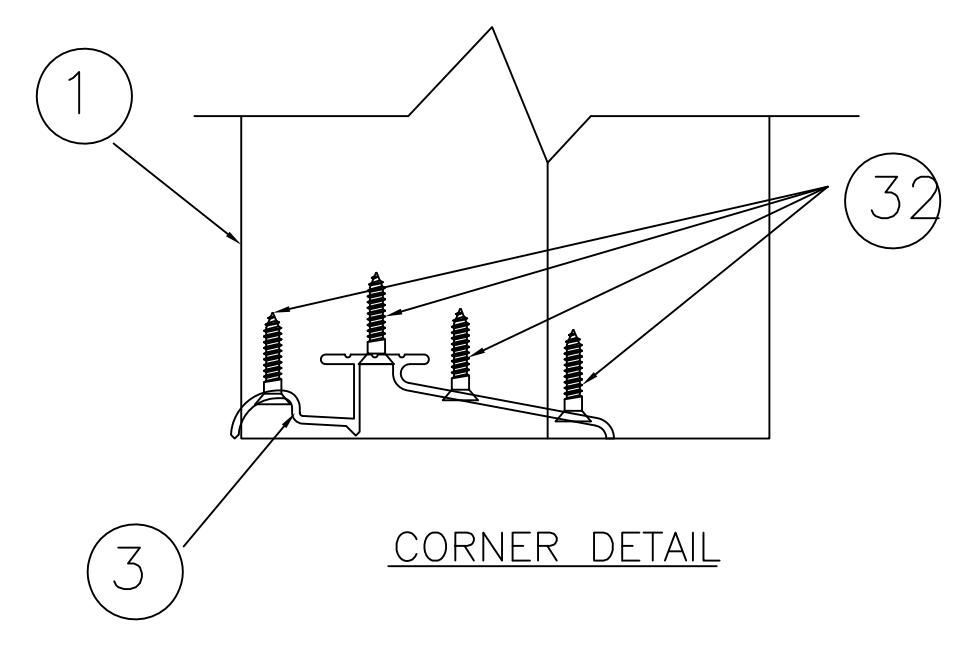
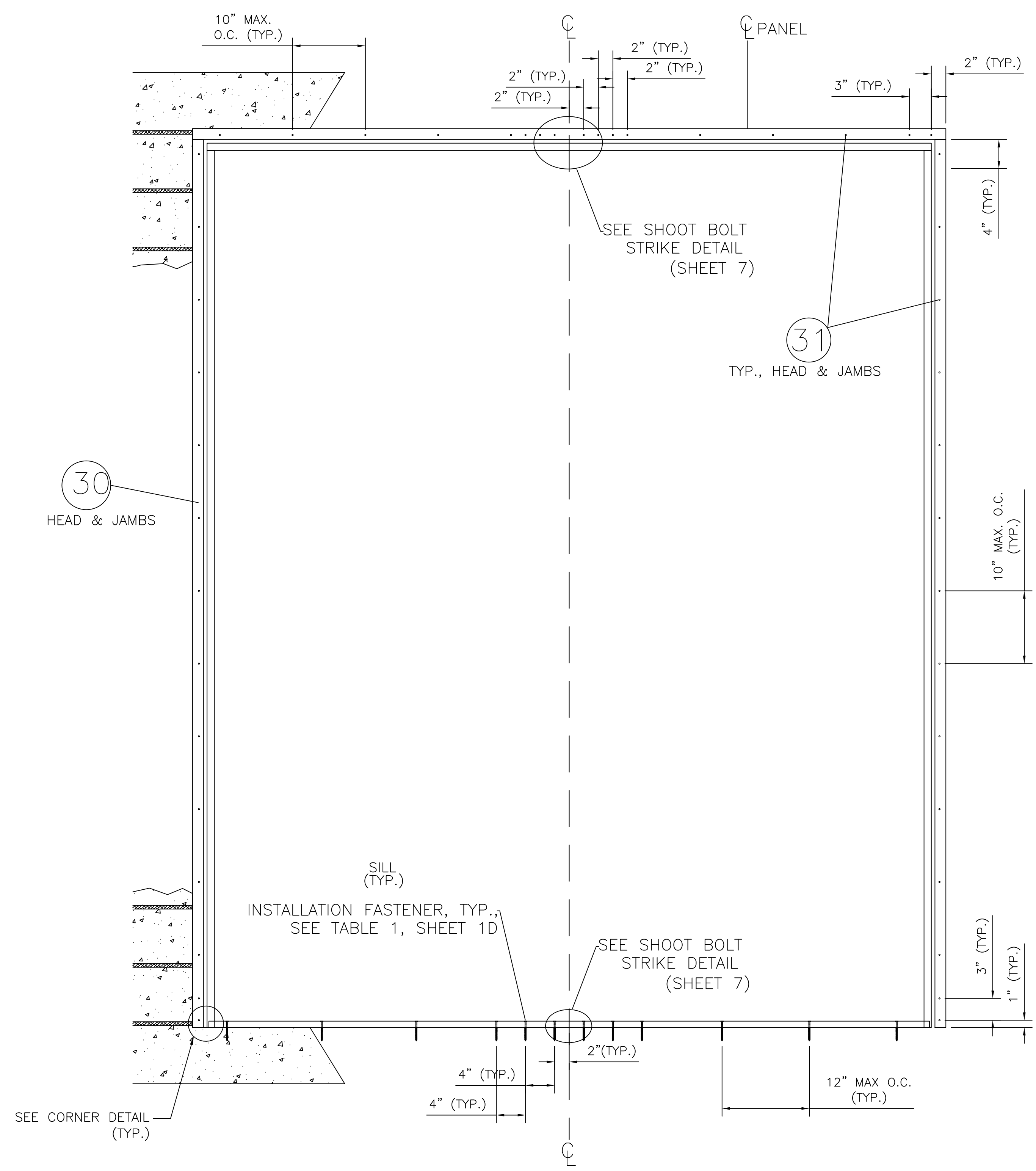
OWW LLC
 3001 Tuxedo Ave., West Palm Beach, FL 33405
 Ph. 561-478-7233 Fax 561-478-7858

Product: GLAZED WOOD DOUBLE DOOR INSWING
 Date: 05-01-18
 Scale: None
 Drawn: JDS

BUCK & FRAME ANCHORING

Dwg: Nar-IS
 FL34945.2

Sheet No.
 5D OF 8



FRAME ANCHORING
Aluminium Angle



12/18/2020

TE&C
LUCAS A. TURNER, P.E. - FL PE 58201
TURNER ENGINEERING & CONSULTING, INC.
FBPE COA #29779 PH. 941-380-1574
2428 OLD NATCHEZ TRACE TRAIL
CAMDEN, TN 38320

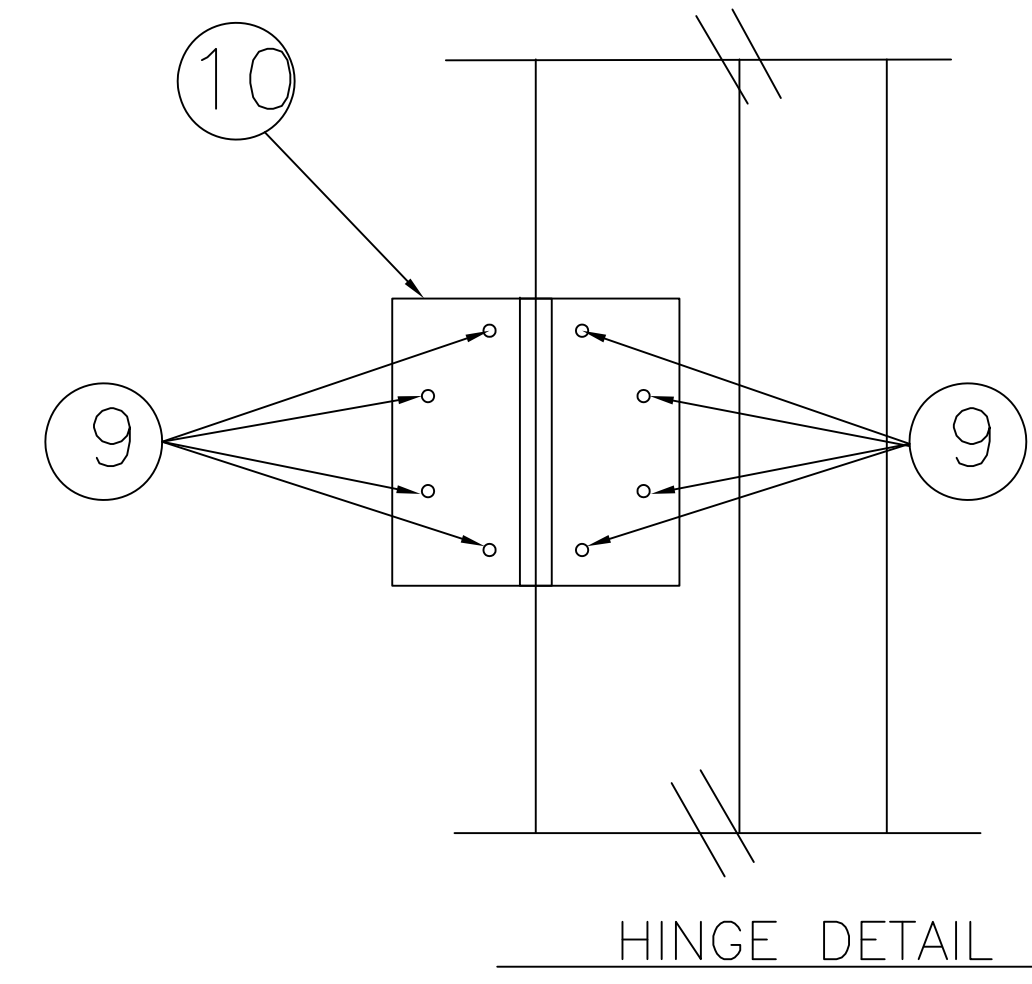
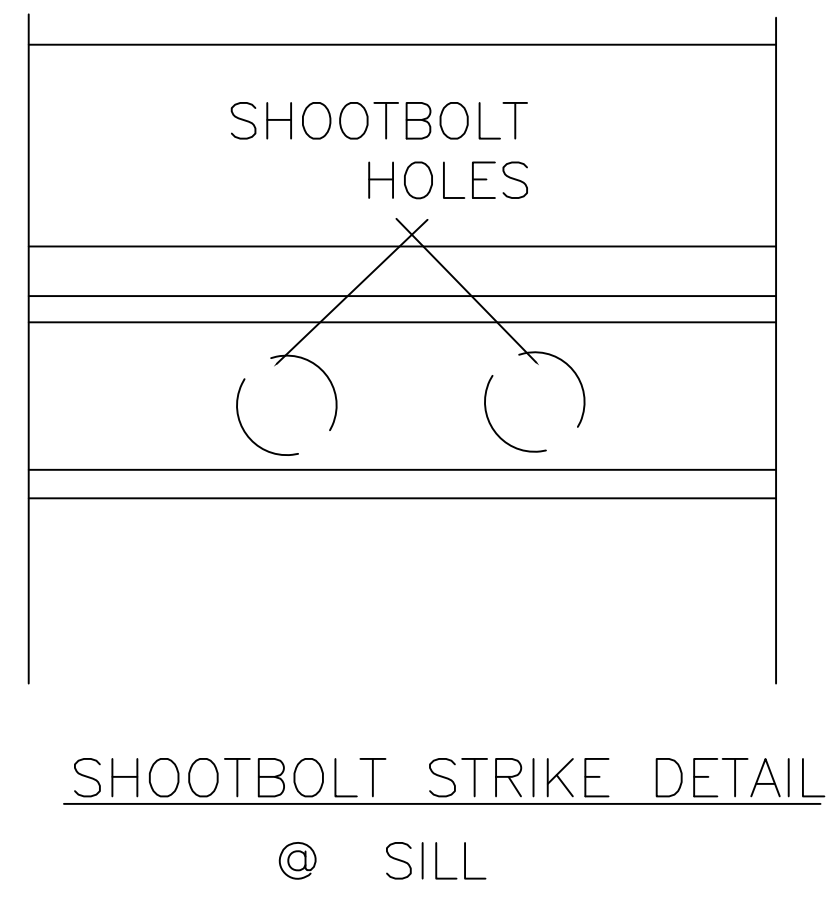
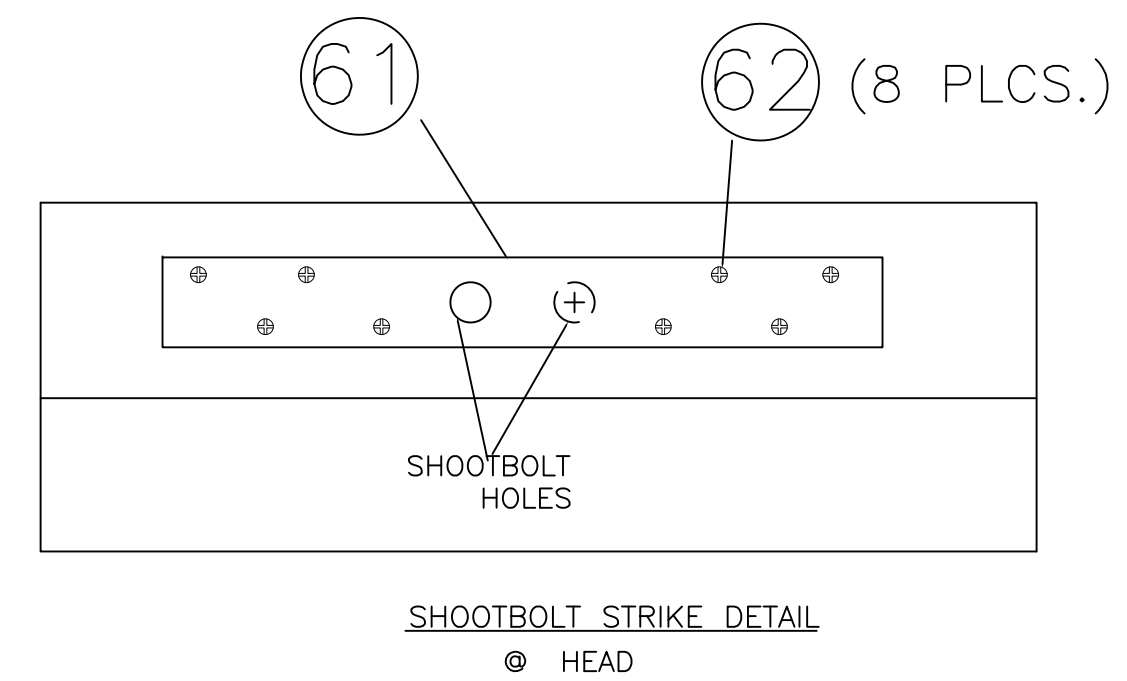
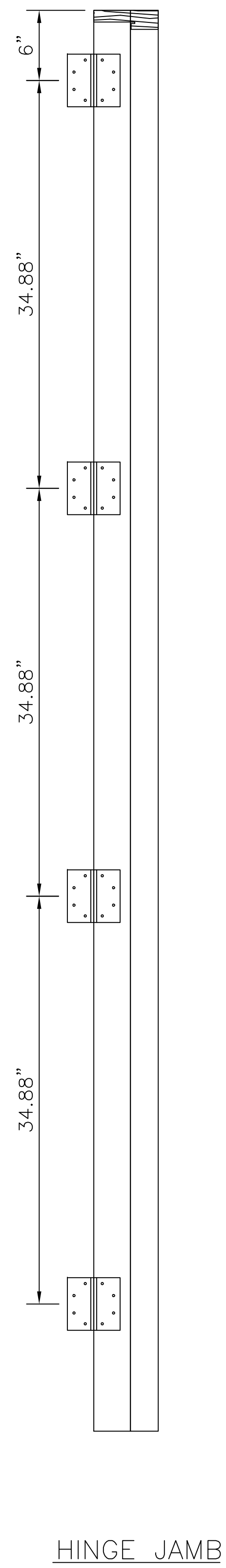
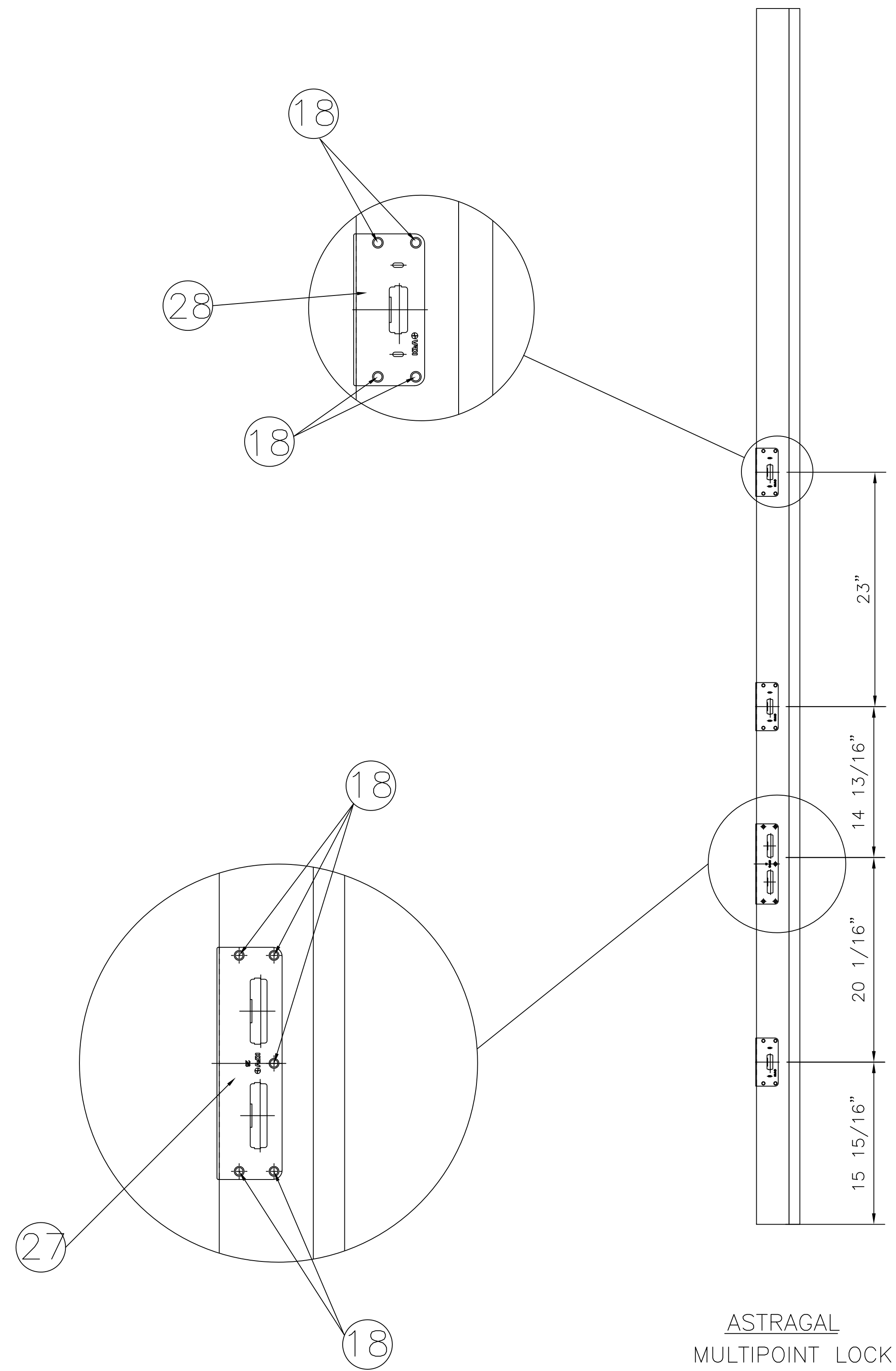
OWW LLC
3001 Tuxedo Ave., West Palm Beach, FL 33405
Ph. 561-478-7233 Fax 561-478-7858

Product: GLAZED WOOD DOUBLE DOOR INSWING
Date: 05-01-18
Scale: None
Drawn: JDS

FRAME ANCHORING

Dwg: Nar-IS
FL34945.2

Sheet No.
6D OF 8



Product:

GLAZED WOOD DOUBLE DOOR INSWING

Date: 05-01-18

Scale: None

Drawn: JDS

Dwg: Nar-IS
FL34945.2

Sheet No.
7D OF 8

HARDWARE DETAILS

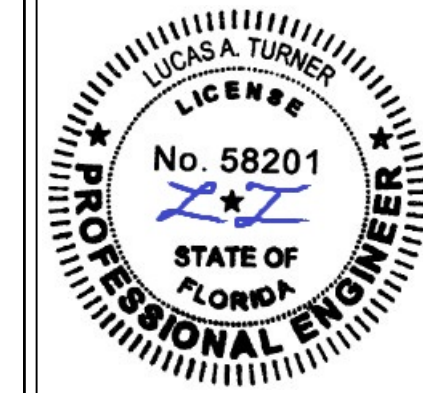
OWW LLC

3001 Tuxedo Ave., West Palm Beach, FL 33405
Ph. 561-478-7233 Fax 561-478-7858

TE&C

LUCAS A. TURNER, P.E. FL PE 58201
TURNER ENGINEERING & CONSULTING, INC.
FBPE COA #297779 PH. 941-380-1574
2428 OLD NATCHEZ TRACE TRAIL
CAMDEN, TN 38320

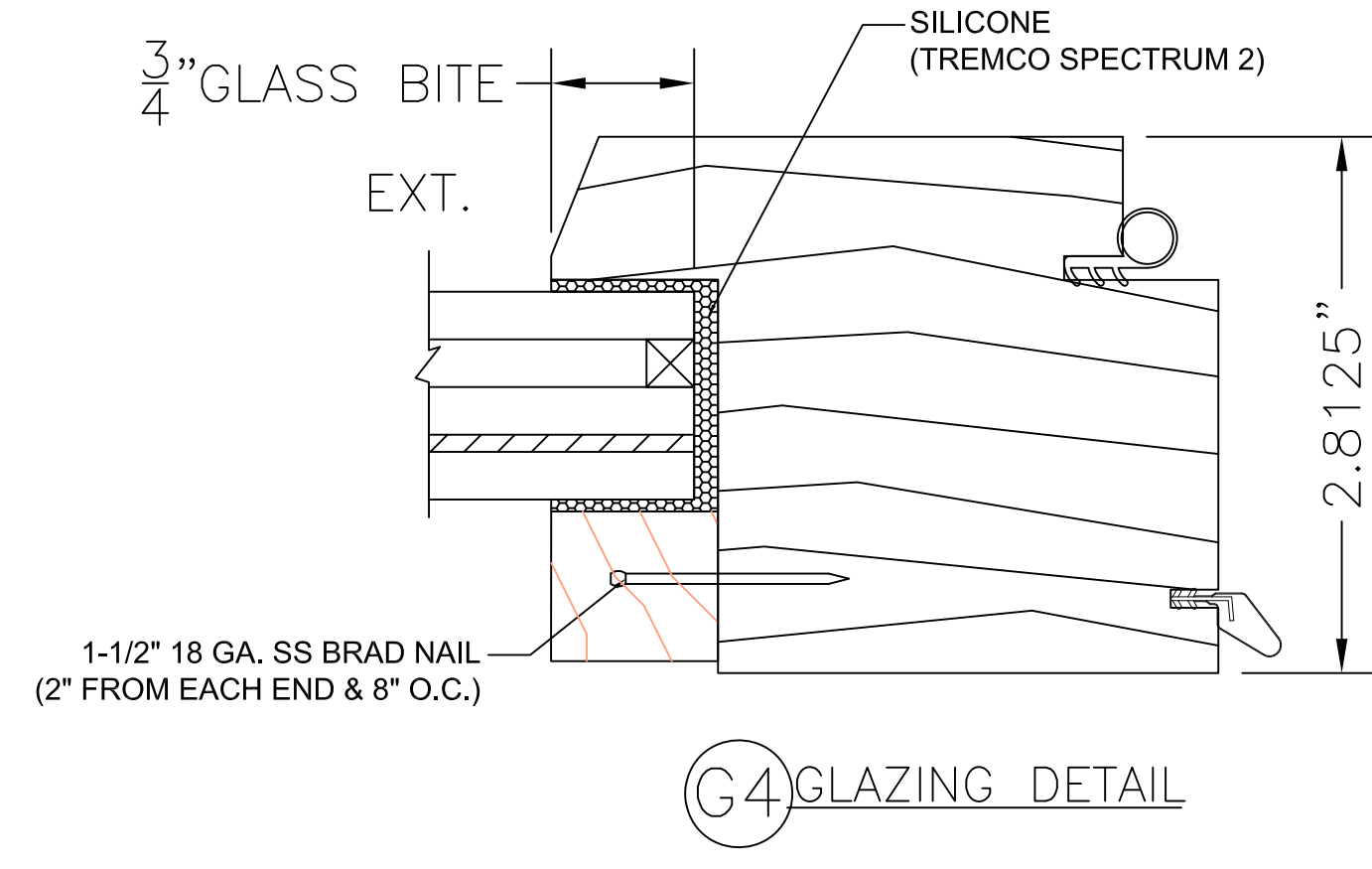
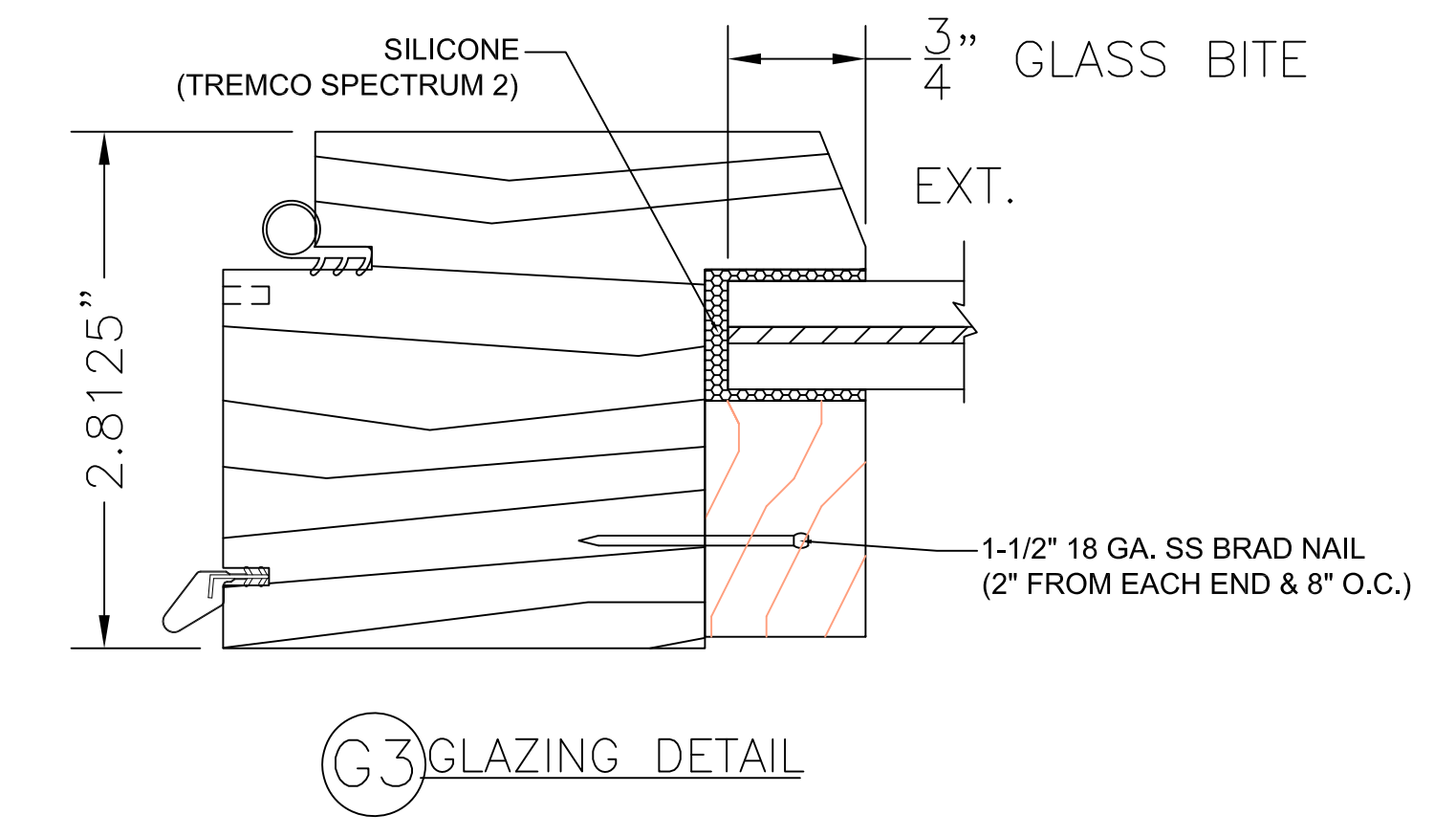
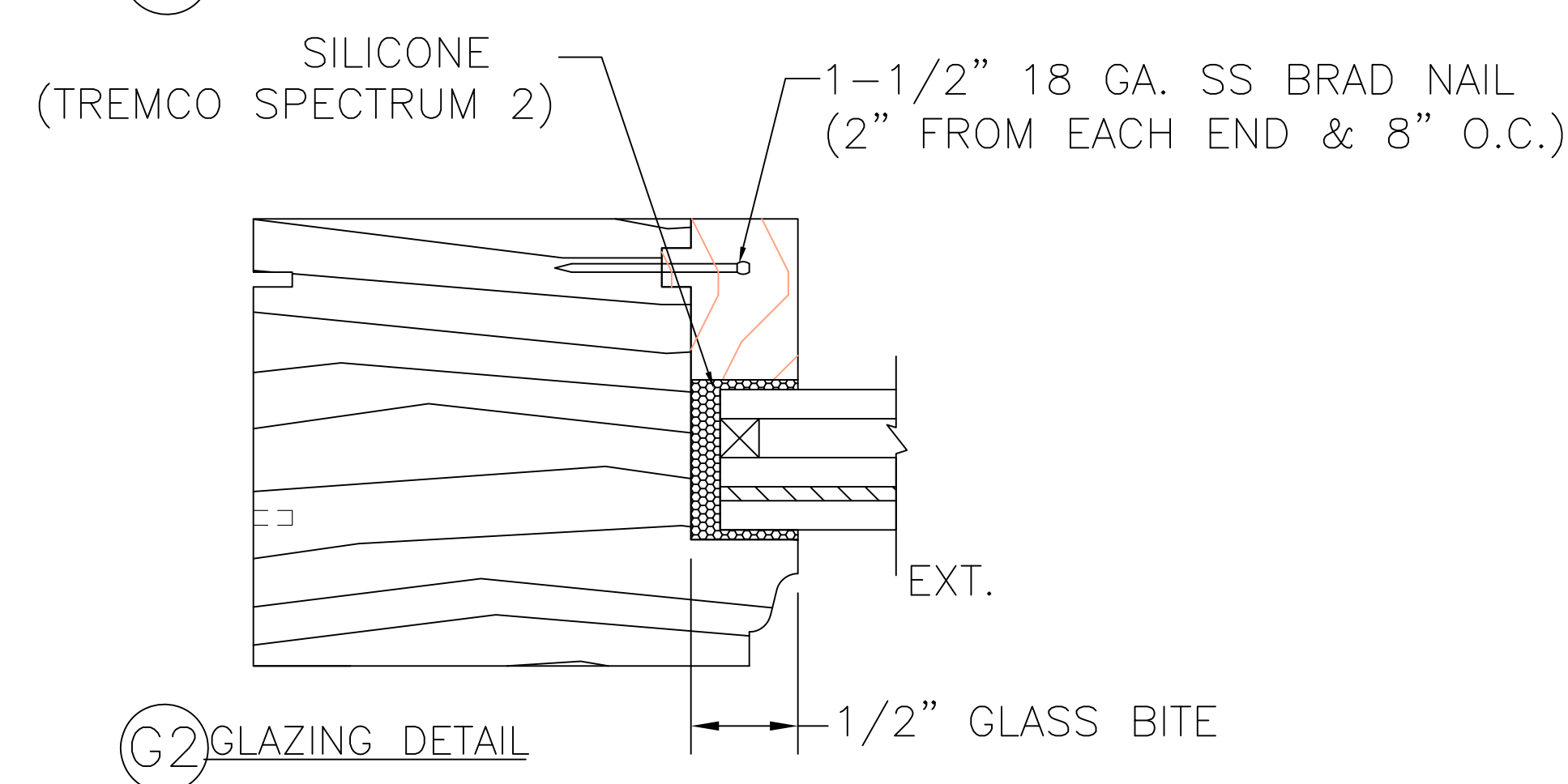
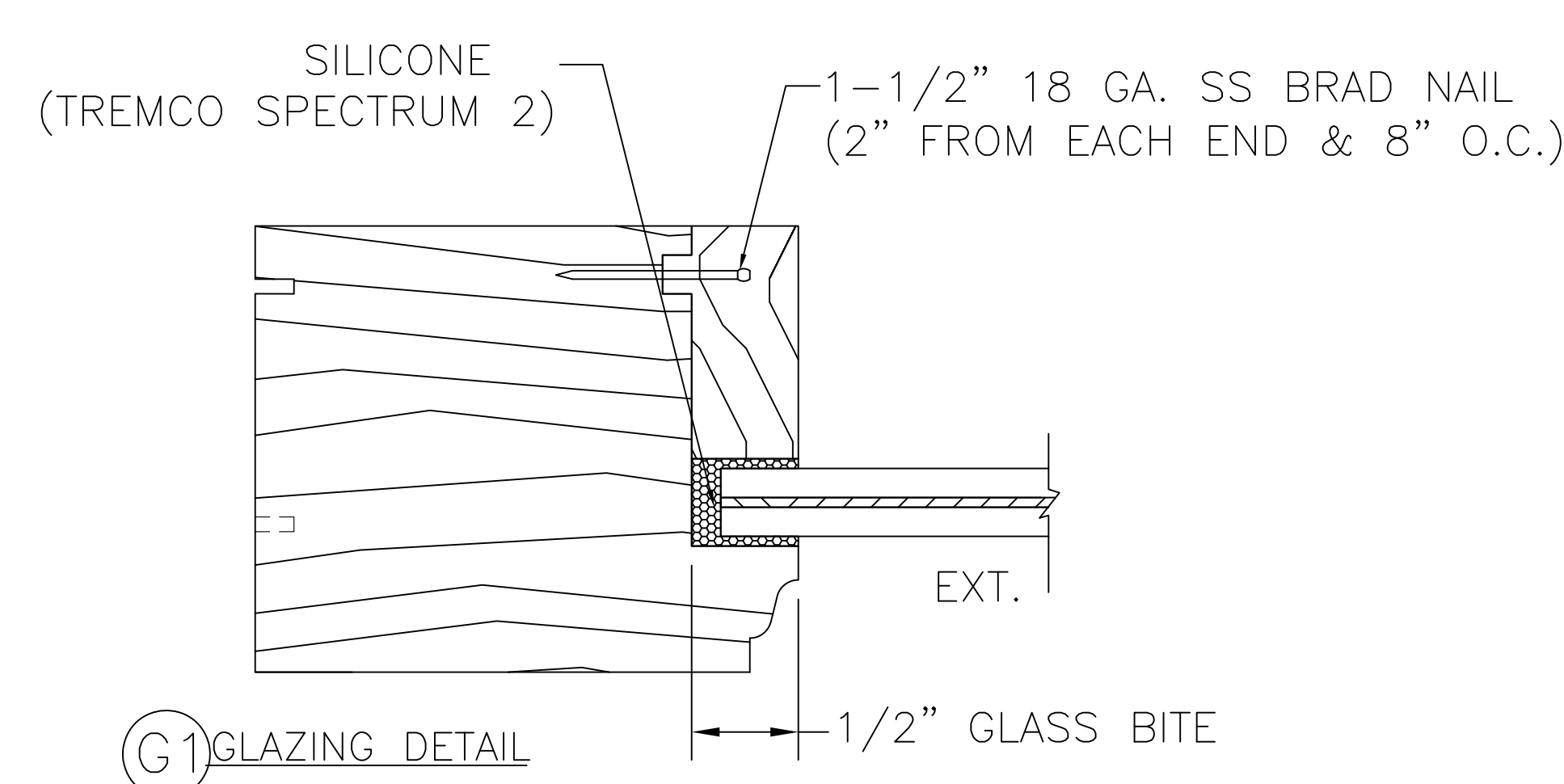
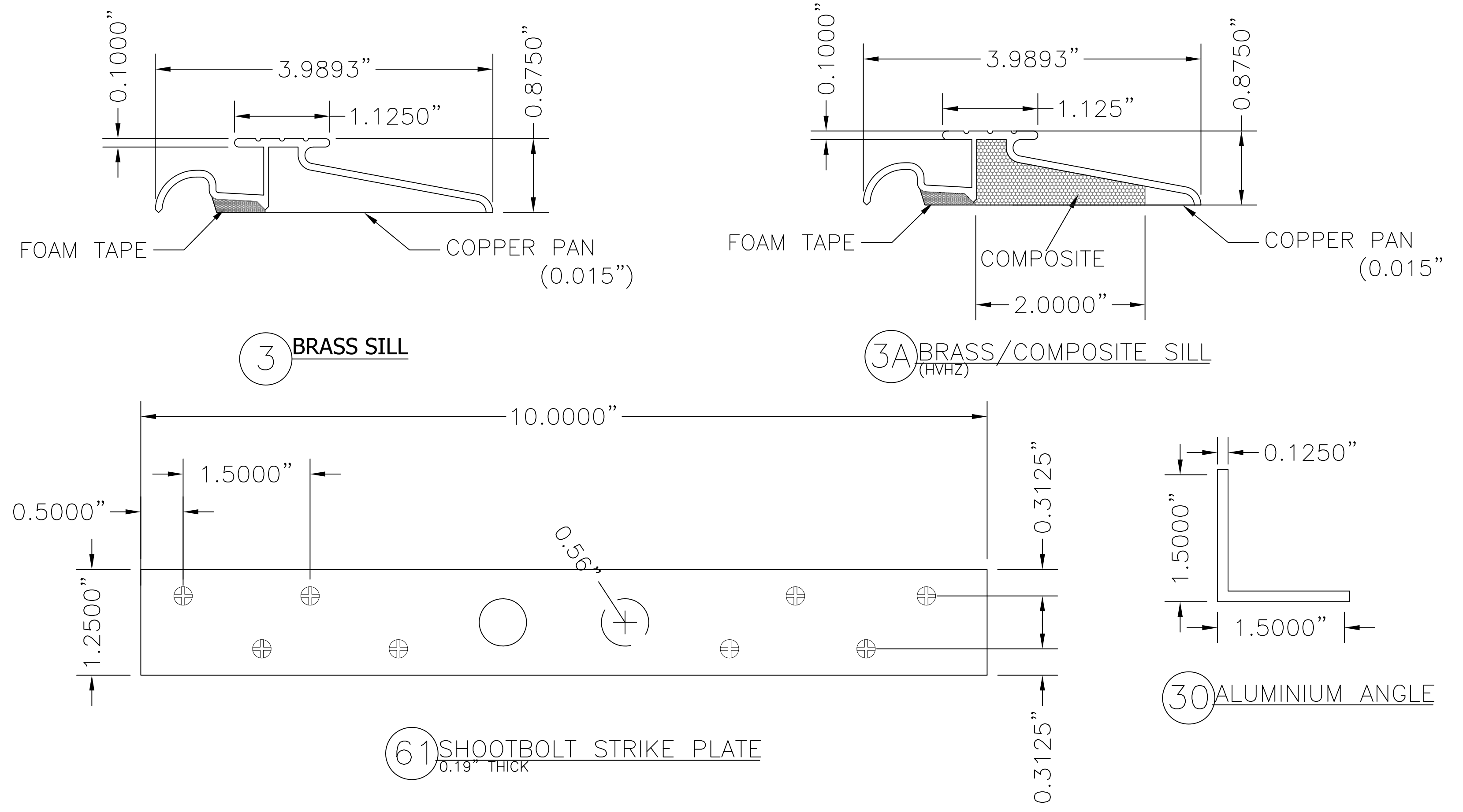
12/18/2020



BILL OF MATERIALS

| ITEM # | DESCRIPTION | MATERIAL |
|--------|--|------------|
| B | 2X BUCK (SG>=0.55) | WOOD |
| C | 1/4" MAX.SHIM SPACE | - |
| E | MASONRY - 3,000 PSI MIN. CONCRETE CONFORMING TO ACI 301 OR HOLLOW BLOCK CONFORMING TO ASTM C90 | CONCRETE |
| H | #8 X 1-1/2" PFH WOOD SCREW | STEEL |
| 1 | HEAD & SIDE JAMB | WOOD |
| 3 | BRASS SILL | BRASS |
| 3A | BRASS/COMPOSITE SILL (HVHZ) | BRASS/COMP |
| 5 | ASTRAGAL | WOOD/LVL |
| 7 | WEATHERSTRIP (QLON QDS-650) | FOAM |
| 9 | #12 X 1-1/4" FH WOOD SCREW | STEEL |
| 10 | 4-1/2" X 4-1/2" BUTT HINGE | STEEL |
| 11 | #10 X 1" PPH SMS | STEEL |
| 15 | #10 X 1-1/4" FH WOOD SCREW | STEEL |
| 18 | #8 X 1-1/4" PFH WOOD SCREW | STEEL |
| 21 | #8 X 2-1/2" FH WOOD SCREW | STEEL |
| 27 | MULTI POINT LATCH & DEADBOLT STRIKE PLATE | STEEL |
| 28 | MULTIPOINT HOOKBOLT STRIKE PLATE | STEEL |
| 30 | 1-1/2" X 1-1/2" X 1/8" THICK ALUMINUM ANGLE (6063-T6) | ALUM |
| 31 | #10 X 2" FH WOOD SCREW (1-3/4" MIN. EMBED.) | STEEL |
| 32 | #10 X 1" FH WOOD SCREW | STEEL |
| 33 | SIMPSON STRONG-TIE A23Z ANGLE (18 GA.) | STEEL |
| 40 | GLAZED WOOD DOOR PANEL | WOOD |
| 61 | SHOOTBOLT STRIKE PLATE | BRASS |
| 62 | #8 X 1" FH SMS | STEEL |

ALL DOOR COMPONENTS TO BE MAHOGANY (G=0.50 MINIMUM).



GLASS TYPES AND STRUCTURE

- G1. 7/16" (NOM.) LAMINATED GLASS
3/16" ANNEALED /
.075" INTERLAYER: SAFLEX CP BY EASTMAN CHEMICAL COMPANY /
3/16" ANNEALED
- G2. 7/8" (NOM.) LAMINATED INSULATING GLASS
3/16" FULLY TEMPERED EXT. LITE /
1/4" AIR SPACE WITH ALUMINUM SPACER /
3/16" ANNEALED
.075" INTERLAYER: SAFLEX CP BY EASTMAN CHEMICAL COMPANY /
3/16" ANNEALED
- G3. 9/16" (NOM.) LAMINATED GLASS
1/4" HEAT STRENGTHENED /
.090" INTERLAYER: SENTRYGLAS BY KURARAY /
1/4" HEAT STRENGTHENED
- G4. 1-1/8" (NOM.) LAMINATED INSULATING GLASS
1/4" FULLY TEMPERED EXT. LITE /
3/8" AIR SPACE WITH ALUMINUM SPACER /
1/4" HEAT STRENGTHENED /
.090" INTERLAYER: SENTRYGLAS BY KURARAY /
1/4" HEAT STRENGTHENED



12/18/2020

TE&C
LUCAS A. TURNER, P.E., FL PE 58201
TURNER ENGINEERING & CONSULTING, INC.
FBPE COA #29779 PH. 941-380-1574
2428 OLD NATCHEZ TRACE TRAIL
CAMDEN, TN 38320

OWW LLC
3001 Tuxedo Ave., West Palm Beach, FL 33405
Ph. 561-478-7233 Fax 561-478-7858

Product: GLAZED WOOD DOUBLE DOOR INSWING
BILL OF MATERIALS & COMPONENTS
Date: 05-01-18
Scale: None
Drawn: JDS

Dwg: Nar-IS
FL34945.2

Sheet No.
8D OF 8