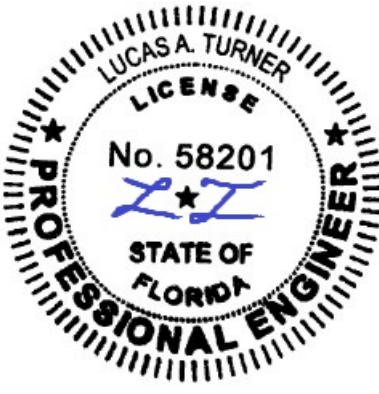
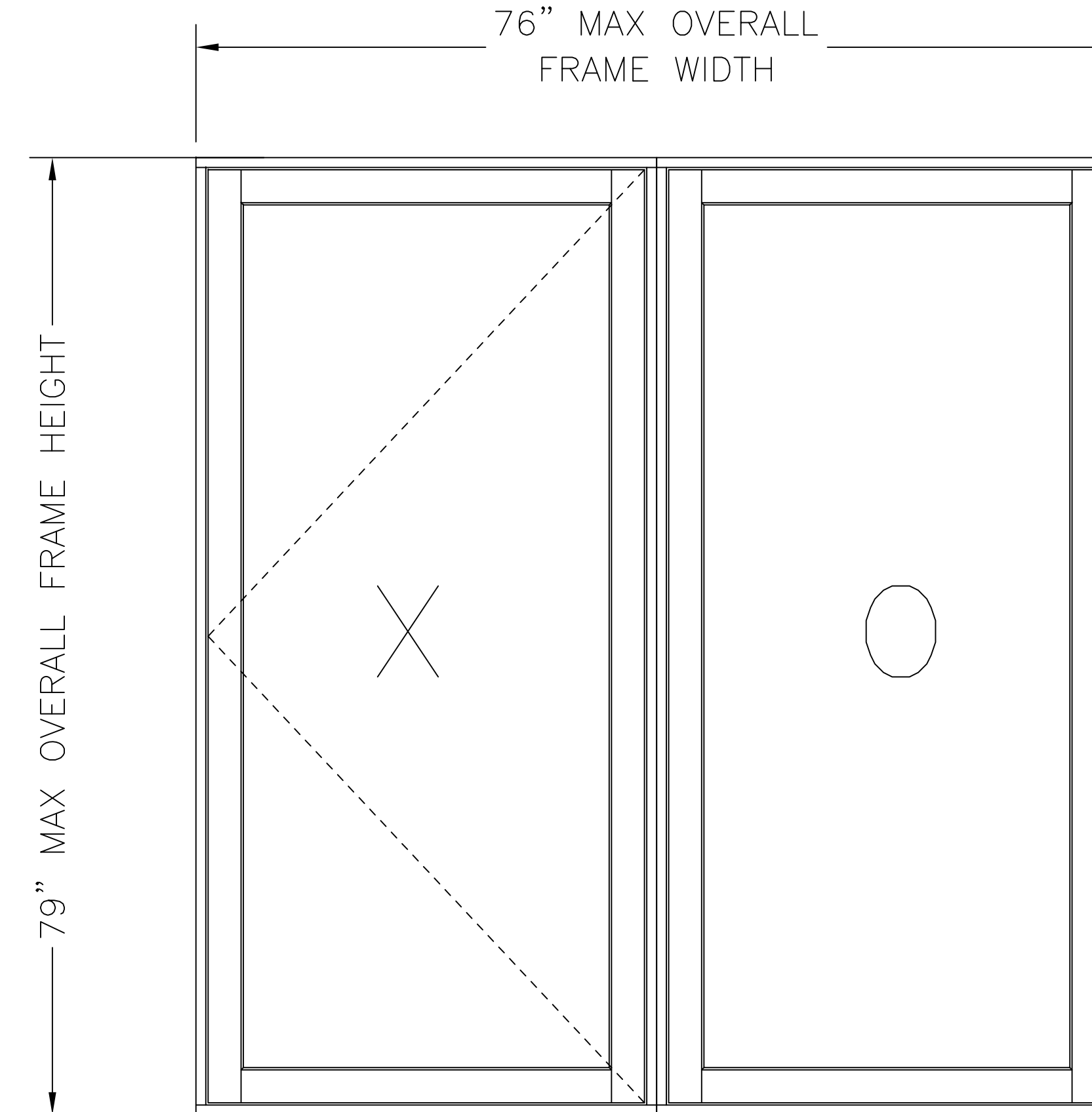


TWIN CASEMENT WINDOW – OUTSWING – ”IMPACT”  
BY OWW LLC

DESIGN PRESSURE = + 75.0 PSF, – 75.0 PSF

GENERAL NOTES

1. This product has been evaluated and is in compliance with 7th Edition (2020) Florida Building Code (FBC) structural requirements including the "High Velocity Hurricane Zone" (HVHZ).
2. Product anchors shall be as listed and spaced as shown on details. Anchor embedment to base materials shall be beyond wall dressing or stucco. All anchors used shall be of a material or have a coating compatible with pressure treated wood if used, and all other window materials.
3. When used in the "HVHZ" this product complies with Section 1626 of the FBC and does not require an impact resistant covering.
4. The opening substrate materials (framing, masonry, bucks) are by others and must be properly designed and installed to transfer superimposed loads to the structure. For 2X stud framing construction, anchoring of these units shall be the same as that shown for 2X buck masonry construction. Wood bucks over masonry, if used, shall be pressure treated, with either a treatment or coating compatible with this product and anchors.
5. All window frame wood to be Mahogany (Specific Gravity = 0.50).
6. Site conditions that deviate from the details of this drawing require further engineering analysis by a licensed engineer or registered architect.
7. This product has been laboratory tested to meet the water infiltration requirements for "HVHZ." Sealing and flashing strategies for overall water infiltration resistance of the field-installed product shall be the responsibility of others and are not addressed by this document.



12/18/2020

TE&C  
LUCAS A. TURNER, P.E. FL PE 58201  
TURNER ENGINEERING & CONSULTING, INC.  
FBPE COA #29779 PH. 941-380-1574  
2428 OLD NATCHEZ TRACE TRAIL  
CAMDEN, TN 38320

OWW LLC  
3001 Tuxedo Ave., West Palm Beach, FL 33405  
Ph. 561-478-7233 Fax 561-478-7858

Product: TWIN OUTSWING CASEMENT WINDOWS  
TYPICAL ELEVATION, DESIGN PRESSURES & GENERAL NOTES

Date: 10-05-15  
Scale: None  
Drawn: JDS

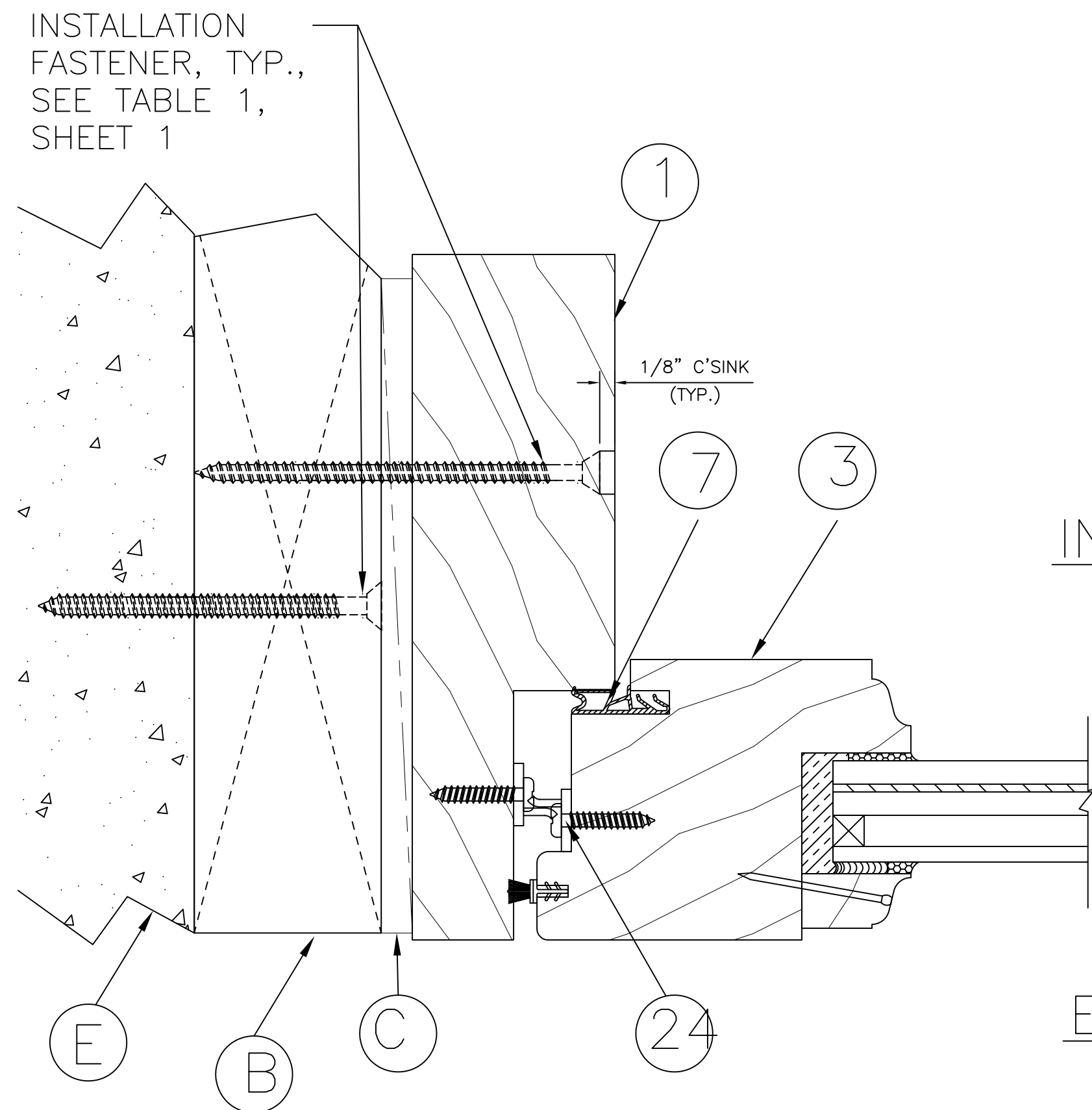
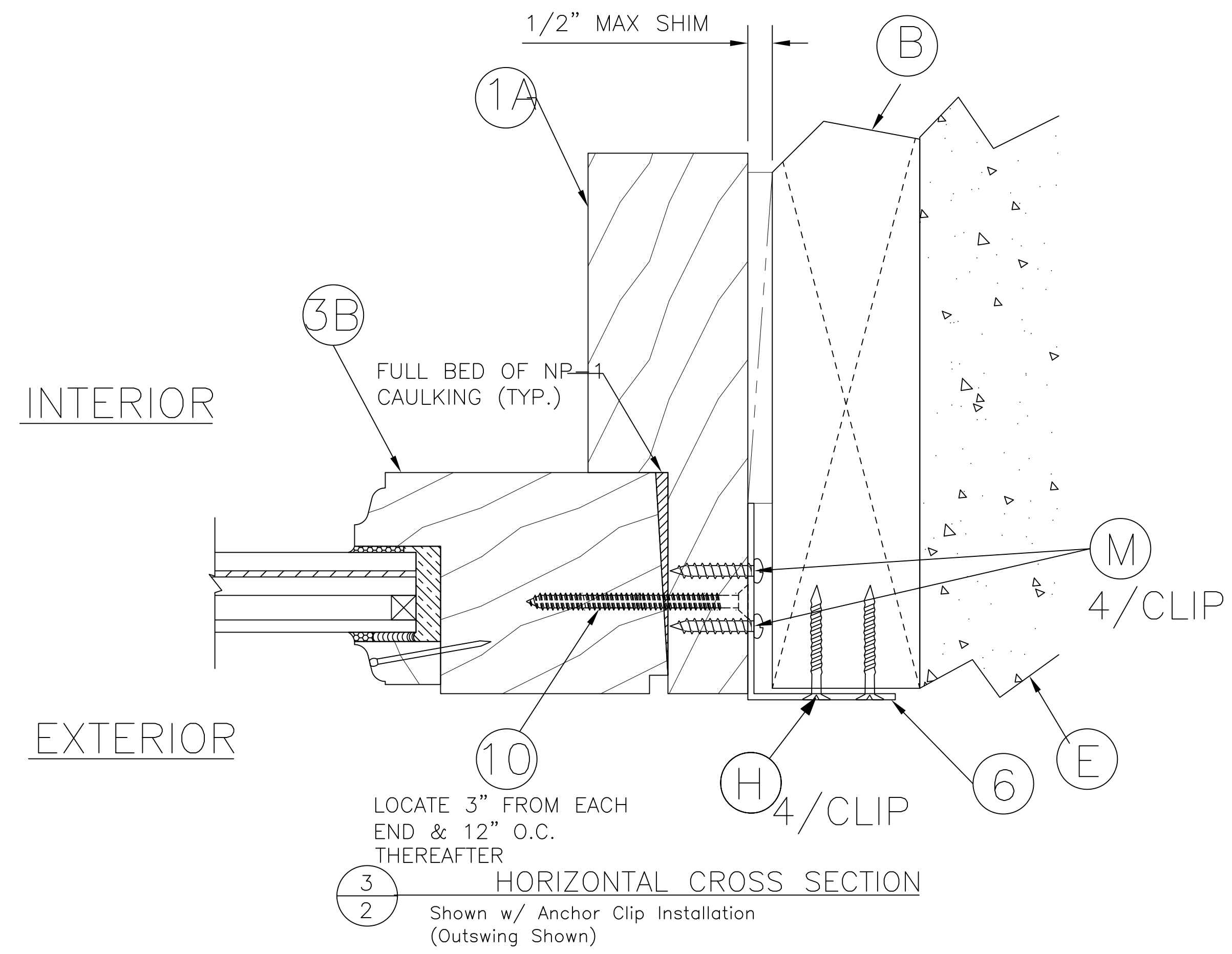
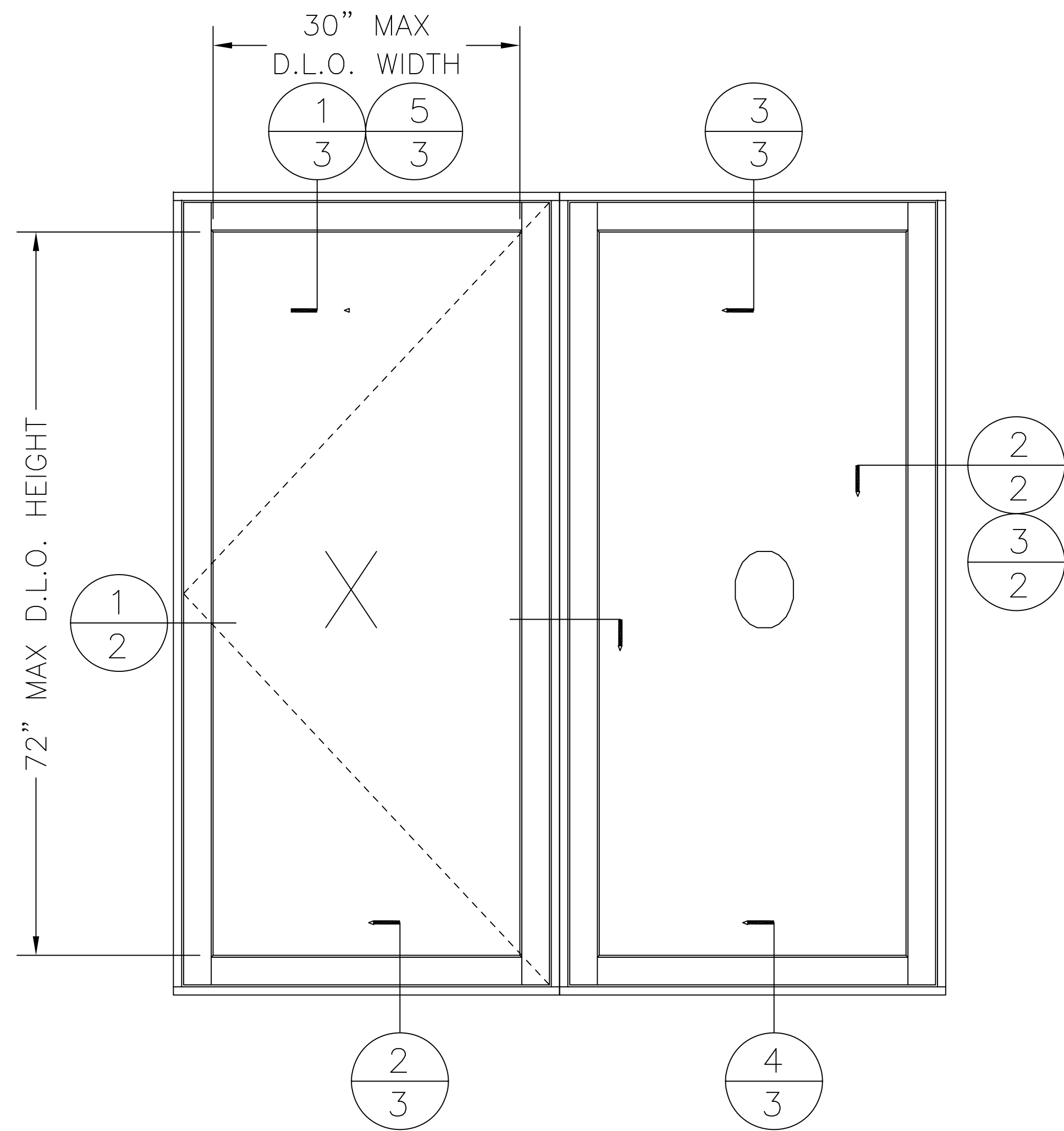
Dwg: CA-0X-OS  
FL34942.3  
Sheet No. 1D OF 6

TABLE OF CONTENTS

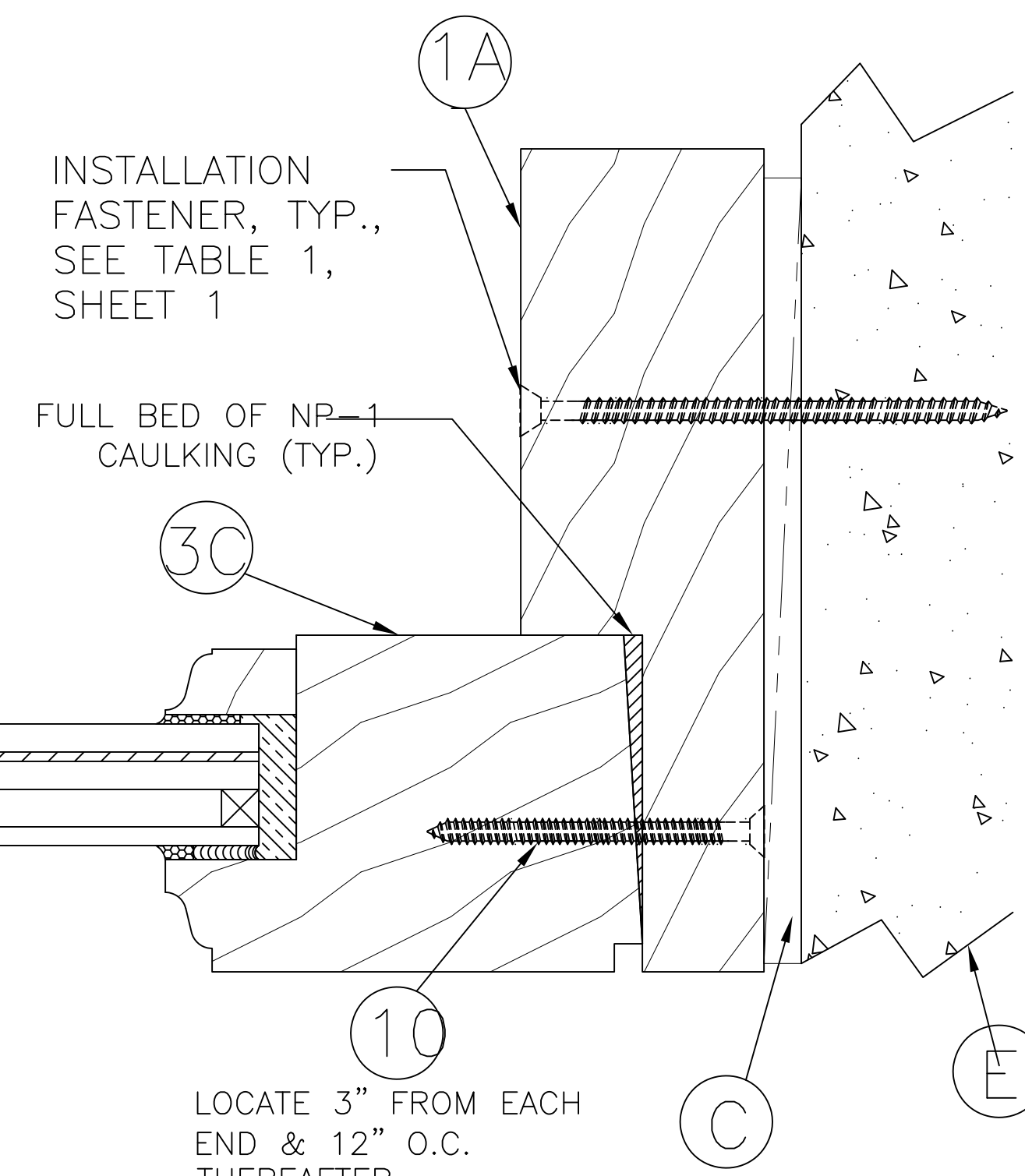
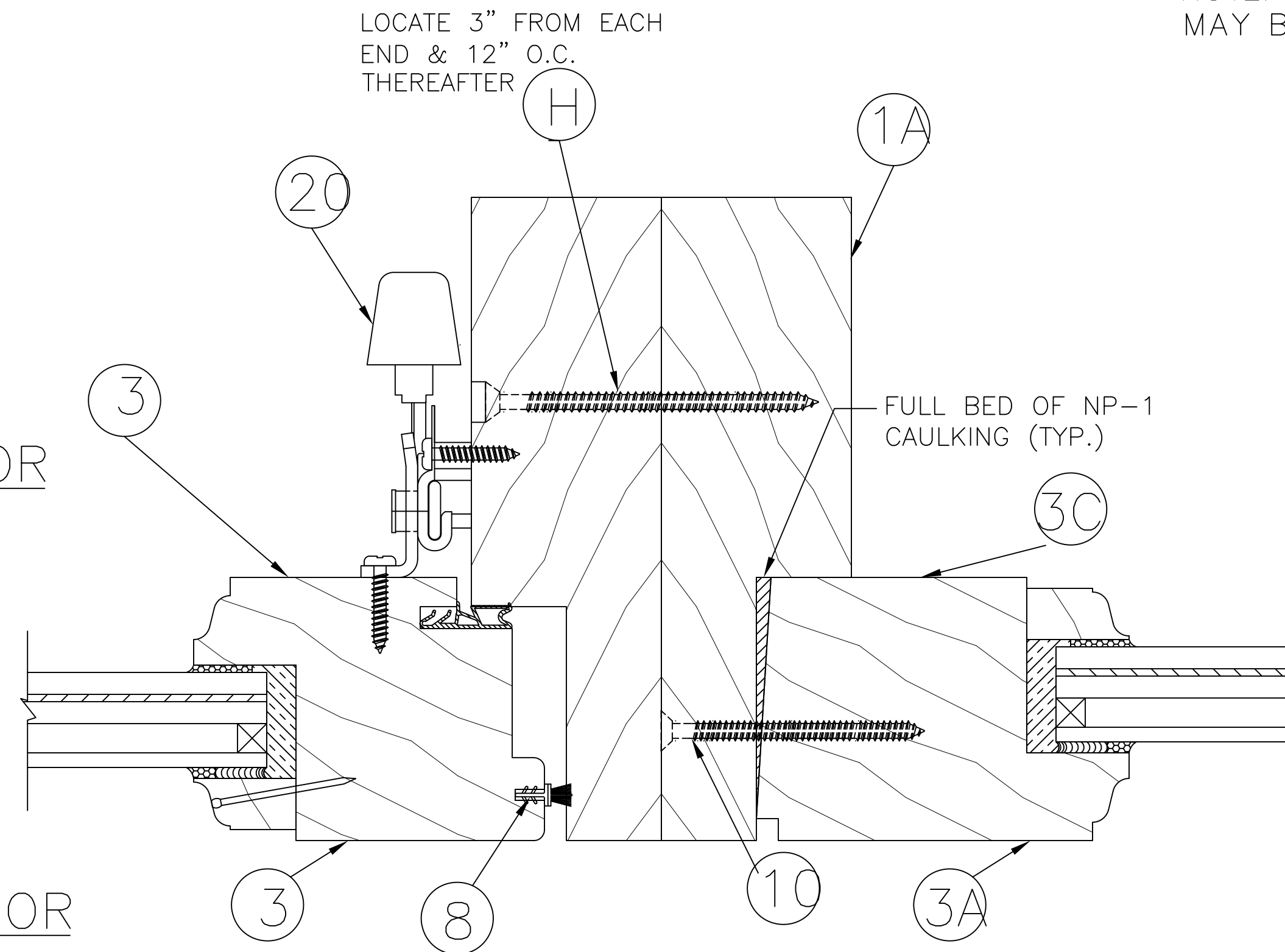
SHEET #	DESCRIPTION
1	Typical elevation, design pressures & general notes
2	Horizontal cross sections
3	Vertical cross sections
4	Hardware details & glass builds
5	Buck and frame anchoring
6	Bill of materials, components & glazing details

TABLE 1. QUALIFIED ANCHOR INFORMATION

ID	SUBSTRATE	ANCHOR	MIN. EMBEDMENT	MIN. EDGE DISTANCE
A	SOLID UNCRACKED CONCRETE (2850 PSI MIN.)	1/4" ELCO COATED CARBON STEEL ULTRACON	1 3/8"	1"
B	GROUT-FILLED CMU (ASTM C-90) (JAMBS ONLY)	1/4" ELCO COATED CARBON STEEL ULTRACON	1 3/4"	2 1/2"
C	SOLID UNCRACKED CONCRETE (2000 PSI MIN.)	1/4" ITW COATED CARBON STEEL TAPCON	1 1/2"	1 1/2"
D	HOLLOW CMU (117 PCF MIN.) (JAMBS ONLY)	1/4" ITW COATED CARBON STEEL TAPCON	1"	2"
E	CONCRETE (3000 PSI MIN)	1/4" HILTI COATED CARBON STEEL OR STAINLESS STEEL KWIK-CON II	1"	2 1/2"
F	HOLLOW OR GROUT-FILLED CMU (ASTM C-90)	1/4" HILTI COATED CARBON STEEL OR STAINLESS STEEL KWIK-CON II	1"	2 1/2"
G	2x MIN. SOUTHERN PINE WOOD (G=0.55 MIN)	#12 GRADE 5 WOOD SCREW	1 1/2"	1"
H	16 GAUGE (0.060") MIN. STEEL STUD (33 KSI YIELD MIN.) OR 1/8" MIN. ALUMINUM (6063-T5 MIN.)	#14 ITW TEKS SELF-DRILLING SCREW	FULL + 3 THREADS	1/2"

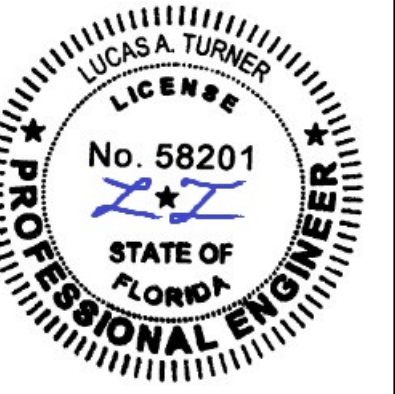


1 HORIZONTAL CROSS SECTION  
2 Shown w/ 2X Buck Construction



2 HORIZONTAL CROSS SECTION  
2 Shown Direct To Masonry

NOTE: GLAZING DETAIL A OR B MAY BE USED FOR ALL DETAILS



12/18/2020

TE&C  
LUCAS A. TURNER, P.E. FL PE 58201  
TURNER ENGINEERING & CONSULTING, INC.  
FBPE COA #29779 PH. 941-380-1574  
2428 OLD NATCHEZ TRACE TRAIL  
CAMDEN, TN 38320

OWW LLC  
3001 Tuxedo Ave., West Palm Beach, Fl. 33405  
Ph. 561-478-7233 Fax 561-478-7858

Product: TWIN OUTSWING CASEMENT WINDOWS

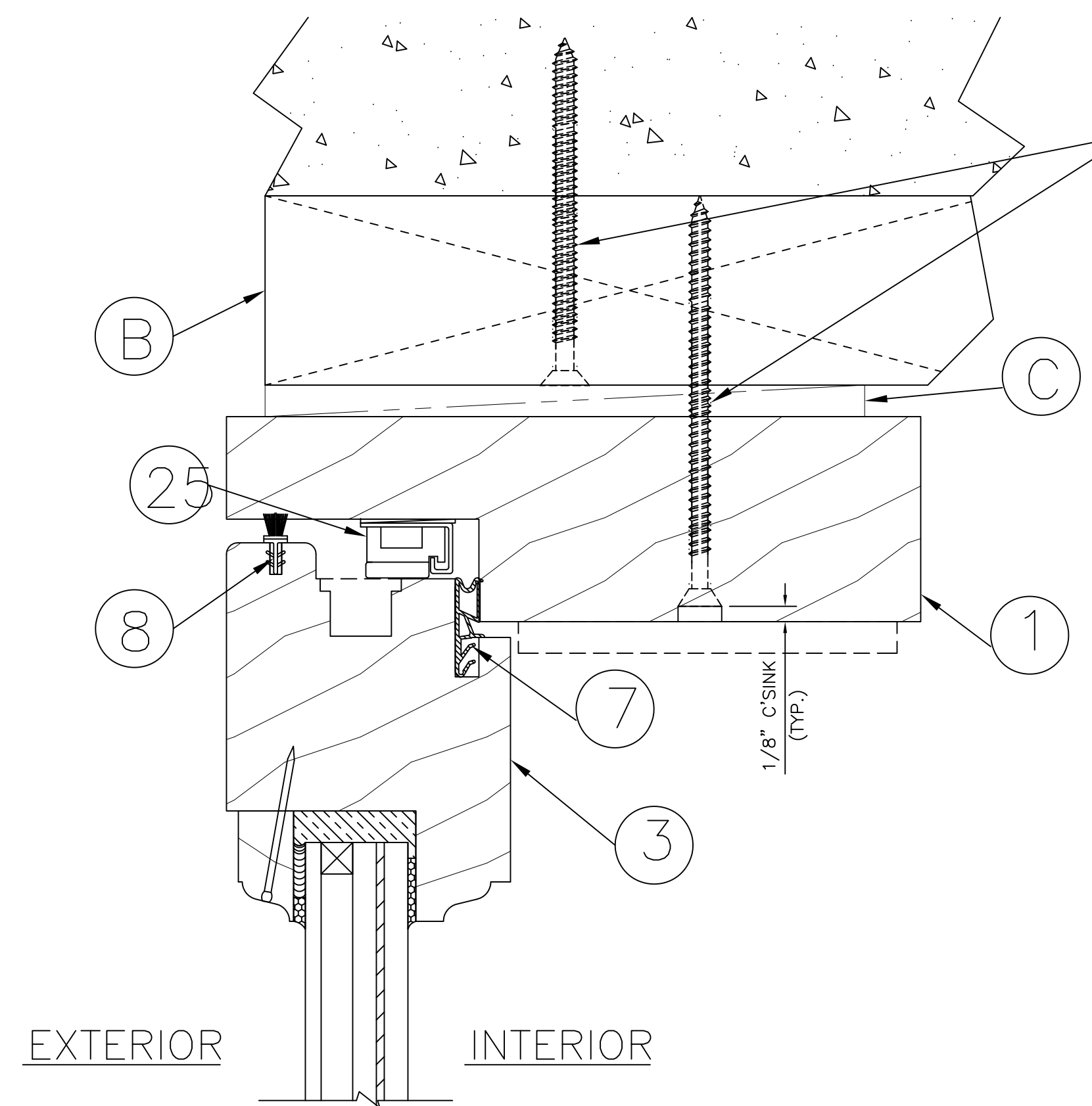
HORIZONTAL CROSS SECTIONS

Date: 10-05-15  
Scale: None  
Drawn: JDS

Dwg: CA-OX-OS

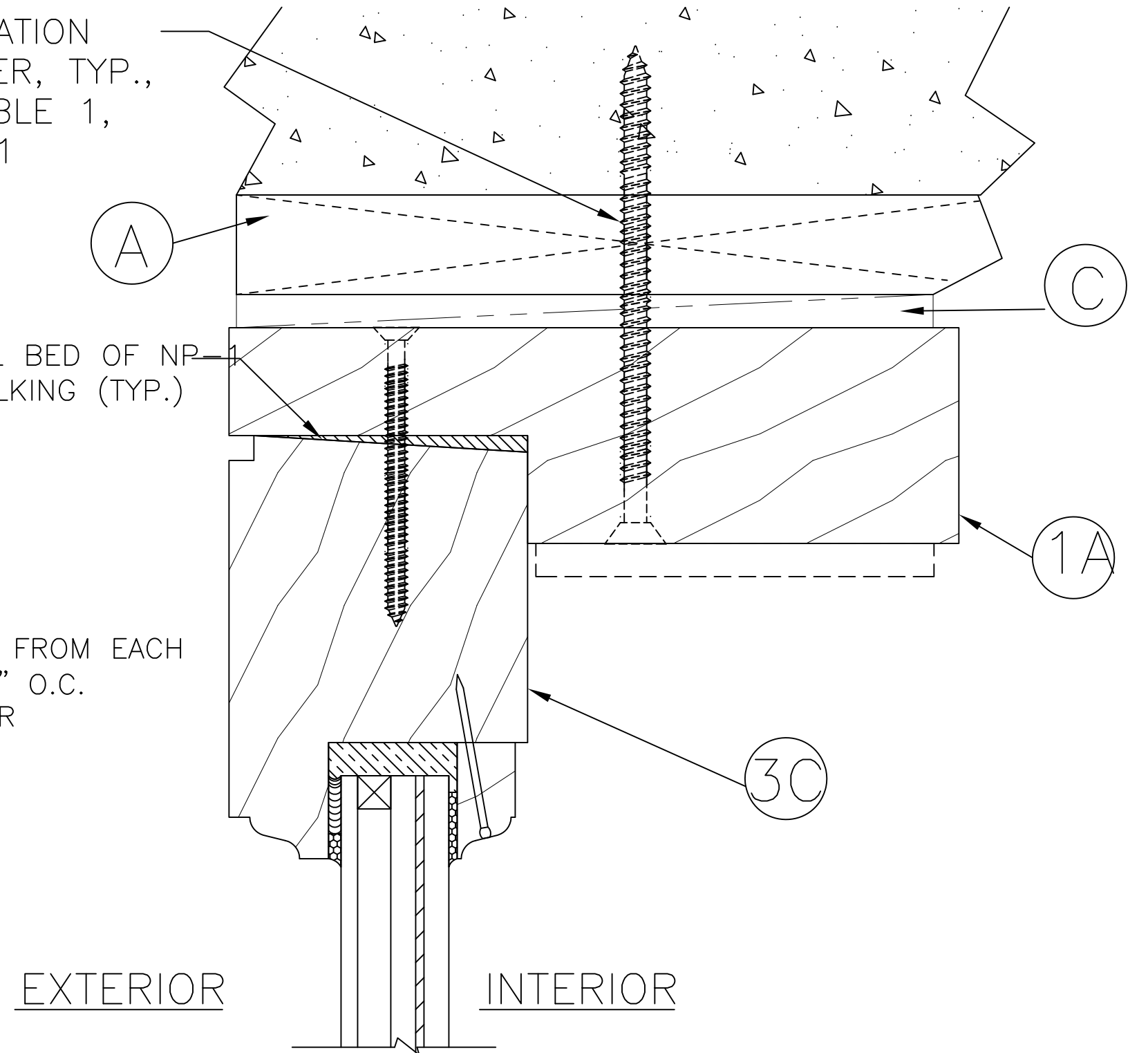
FL34942.3

Sheet No. 2D OF 6

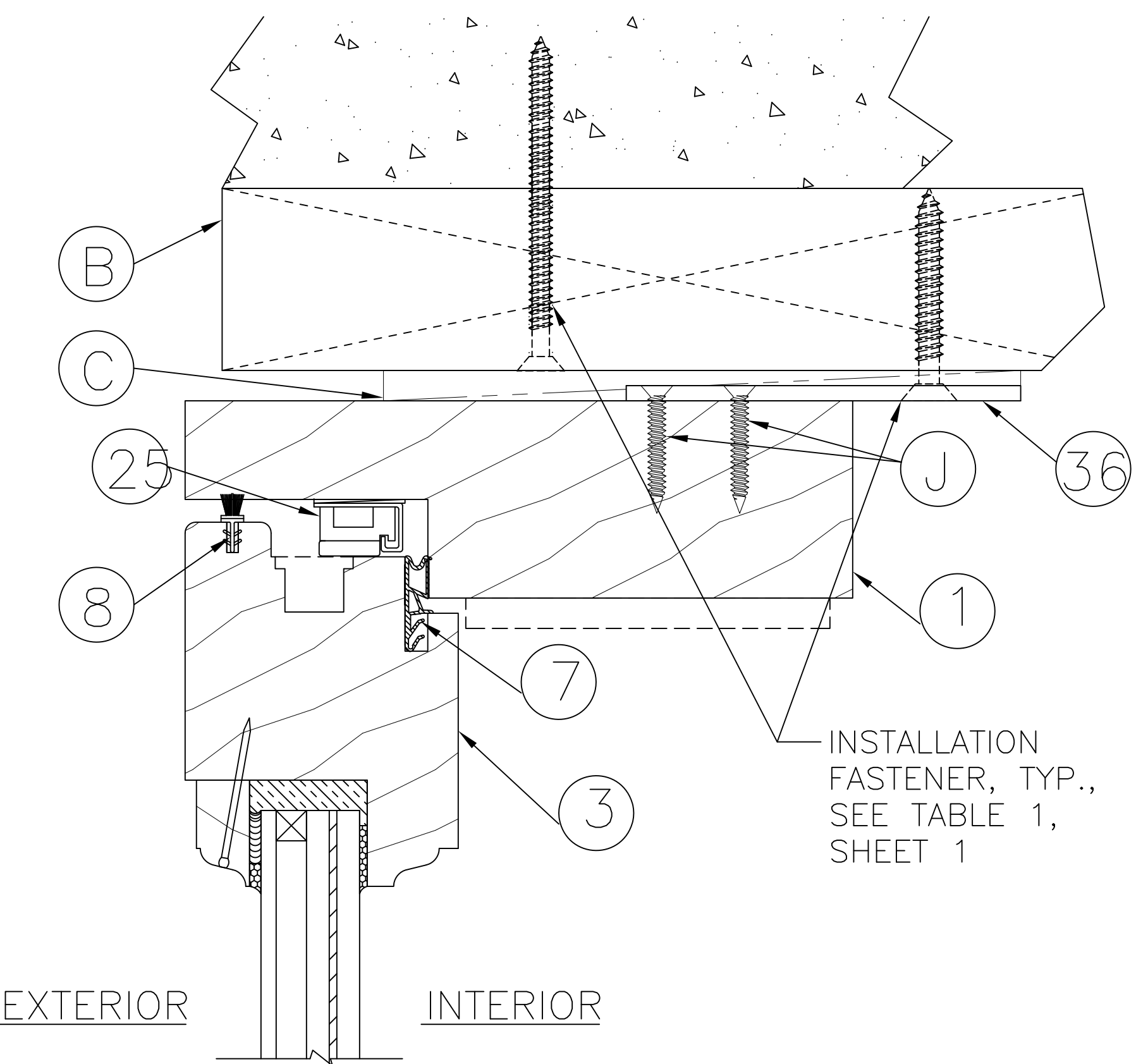


1  
3 VERTICAL CROSS SECTION  
Shown w/ 2X Buck Construction

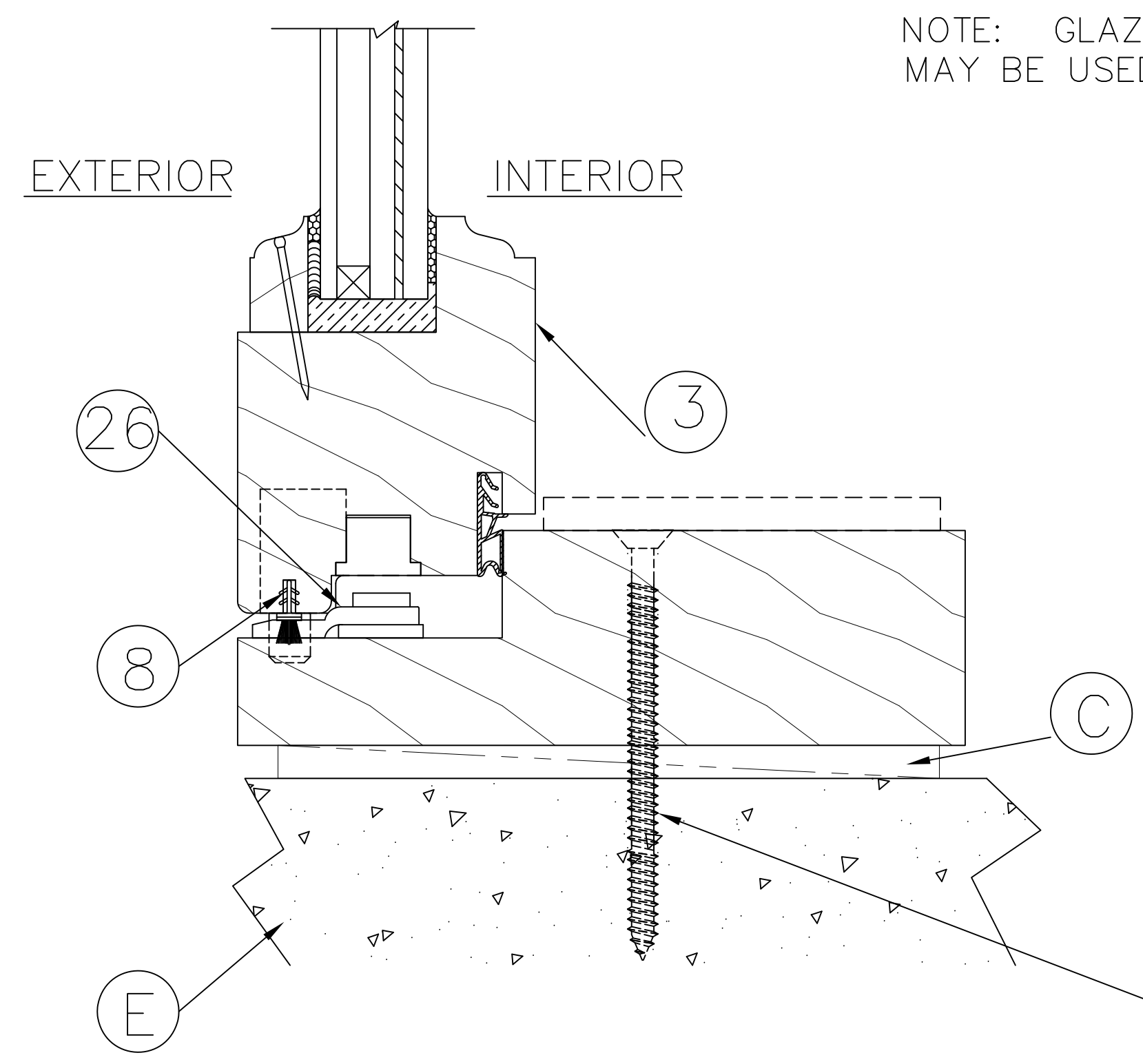
INSTALLATION FASTENER, TYP., SEE TABLE 1, SHEET 1



3  
3 VERTICAL CROSS SECTION  
Shown w/ 1X Buck Construction

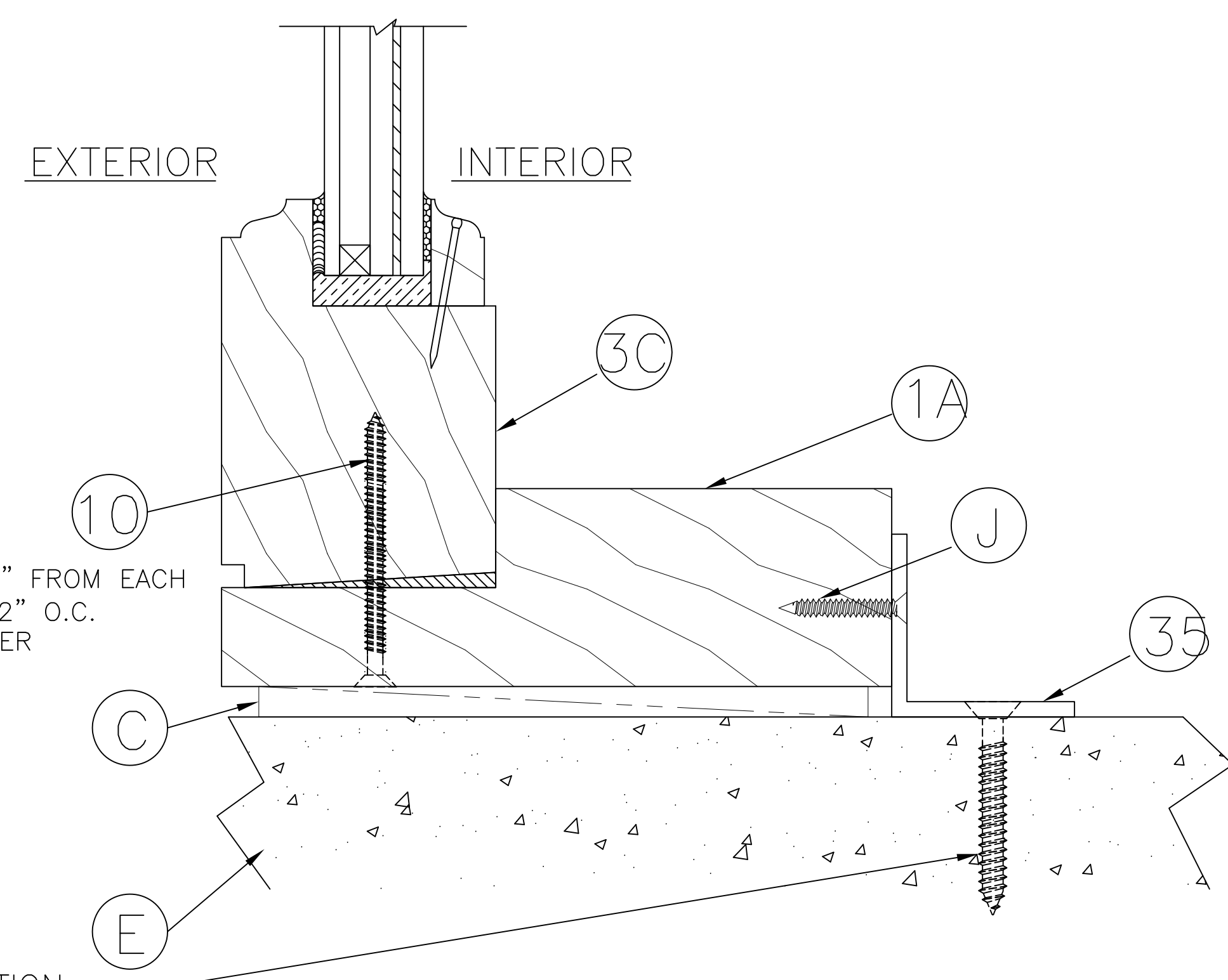


5  
3 VERTICAL CROSS SECTION  
Shown w/ 2X Buck Construction w/ Steel Strap Anchor

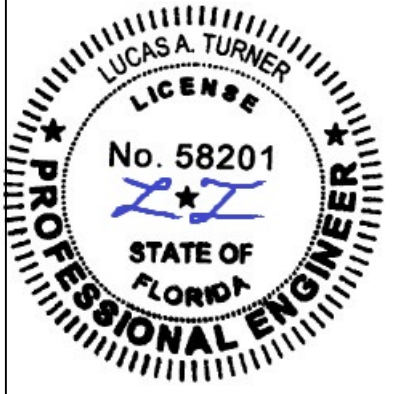


2  
3 VERTICAL CROSS SECTION  
Shown Direct To Masonry

INSTALLATION FASTENER, TYP., SEE TABLE 1, SHEET 1



4  
3 VERTICAL CROSS SECTION  
Shown Direct To Masonry w/ Aluminum Sill Anchor



12/18/2020

TE&C  
LUCAS A. TURNER, P.E., FL PE 58201  
TURNER ENGINEERING & CONSULTING, INC.  
FBPE COA #29779 PH. 941-380-1574  
2428 OLD NATCHEZ TRACE TRAIL  
CAMDEN, TN 38320

OWW LLC  
3001 Tuxedo Ave., West Palm Beach, FL 33405  
Ph. 561-478-7233 Fax 561-478-7858

Product: TWIN OUTSWING CASEMENT WINDOWS

VERTICAL CROSS SECTIONS

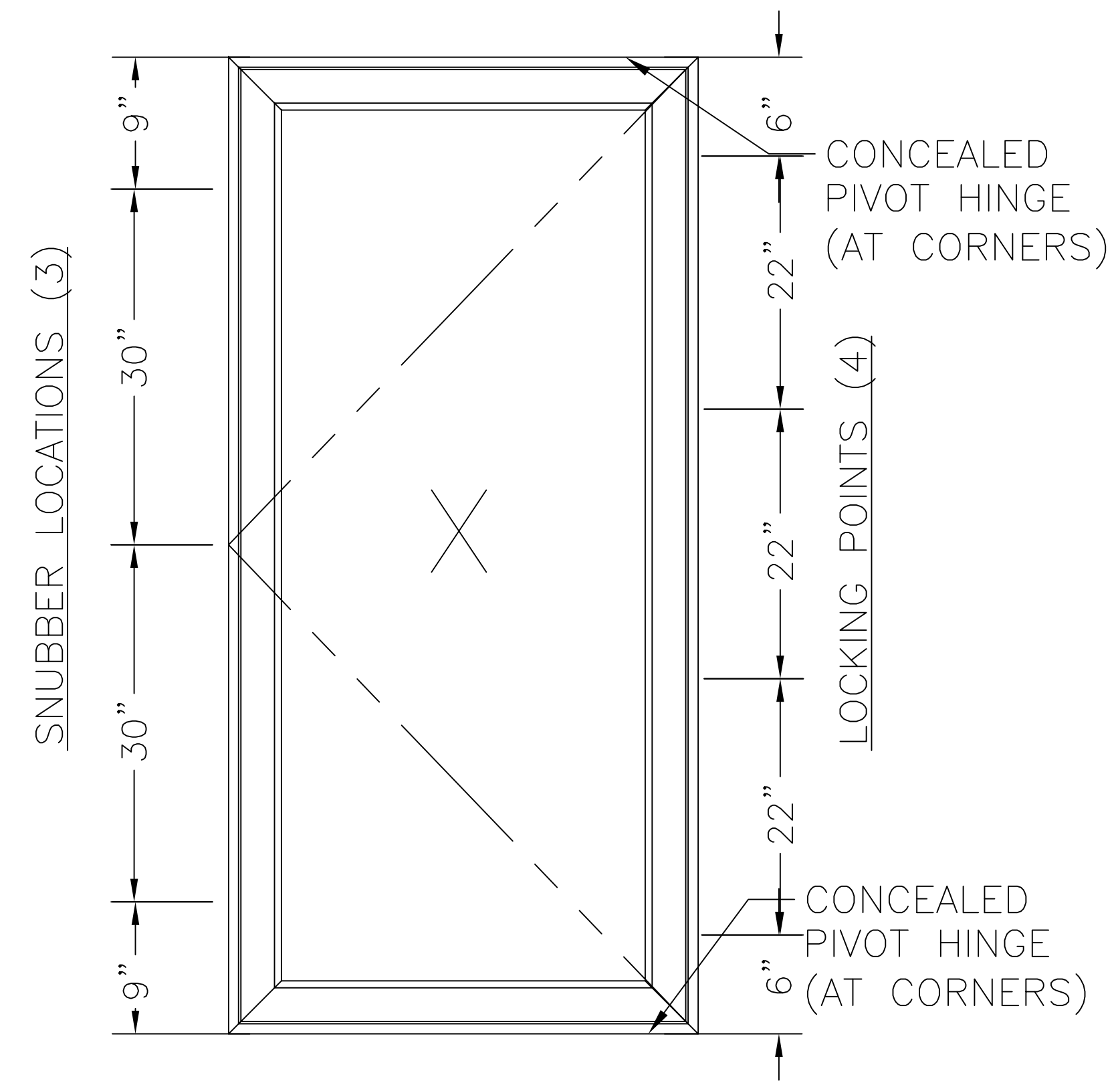
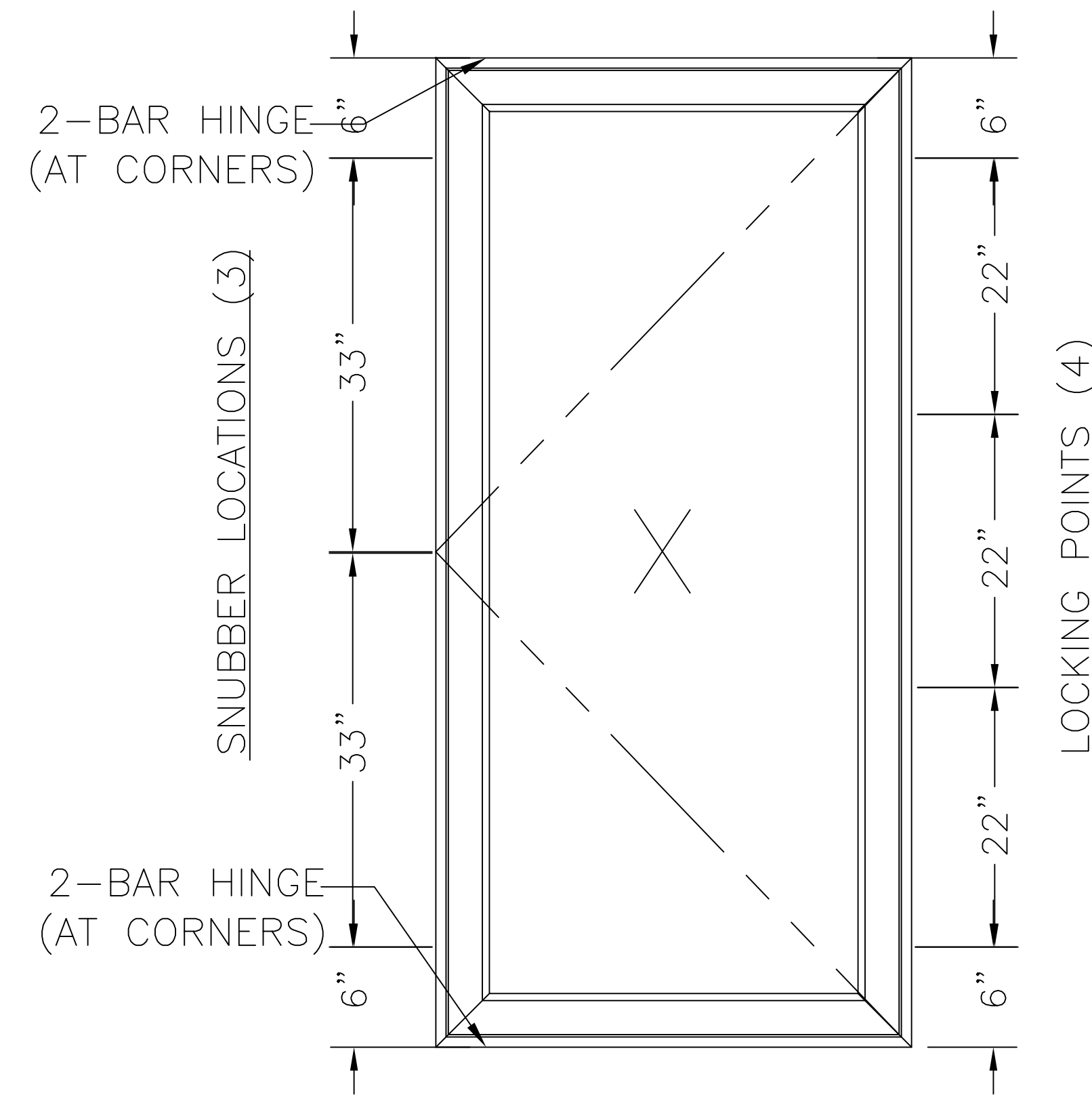
Date: 10-05-15  
Scale: None  
Drawn: JDS

Dwg: CA-0X-0S

FL34942.3

Sheet No. 3D OF 6

## HARDWARE OPTIONS

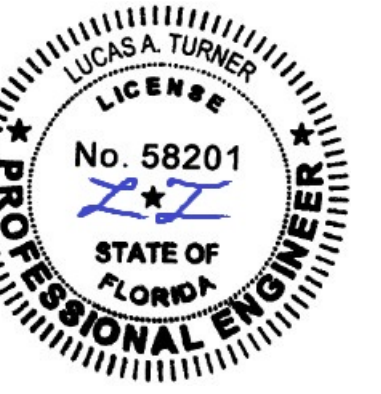


### HARDWARE

DESCRIPTION	QTY.	MANUFACTURER
MULTI-POINT LOCK	1	TRUTH (MAXIM)
HINGES	2	TRUTH (2-BAR)
SNUBBERS	3	TRUTH

### HARDWARE

DESCRIPTION	QTY.	MANUFACTURER
MULTI-POINT LOCK	1	GU (CONTURA)
CONCEALED HINGES	2	GU (CONTURA)
SNUBBERS	3	GU



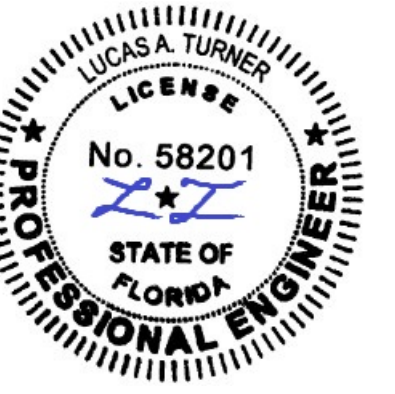
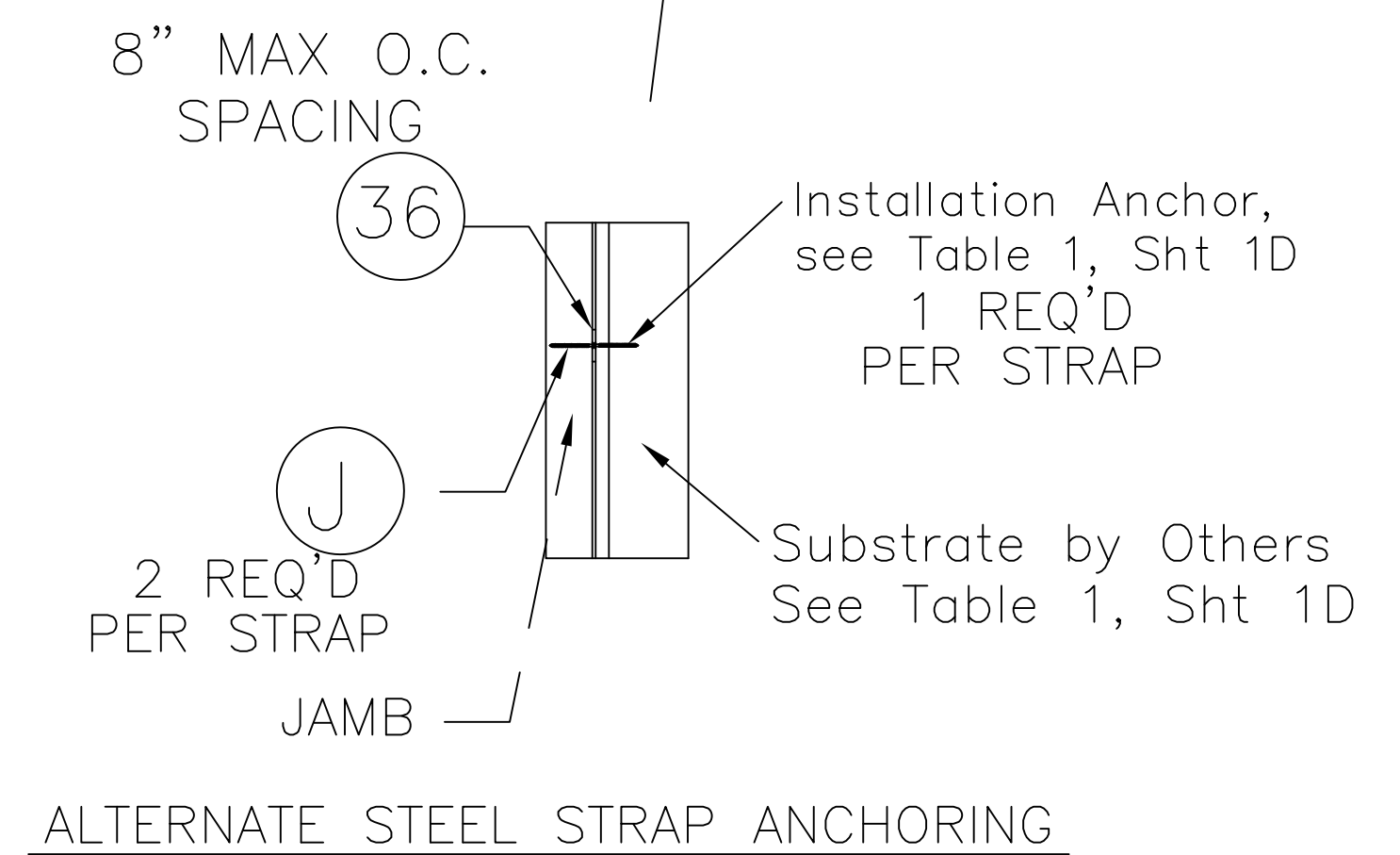
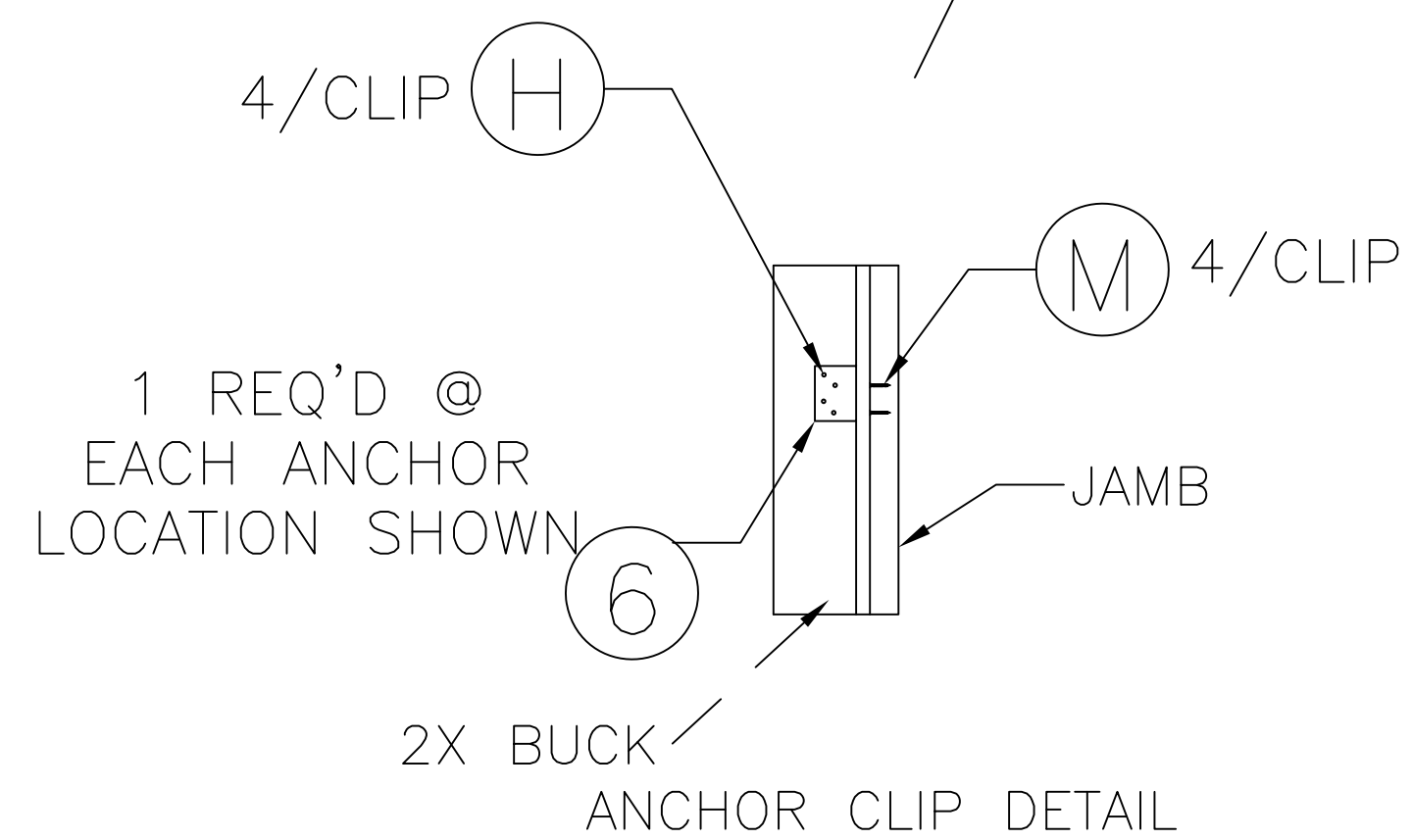
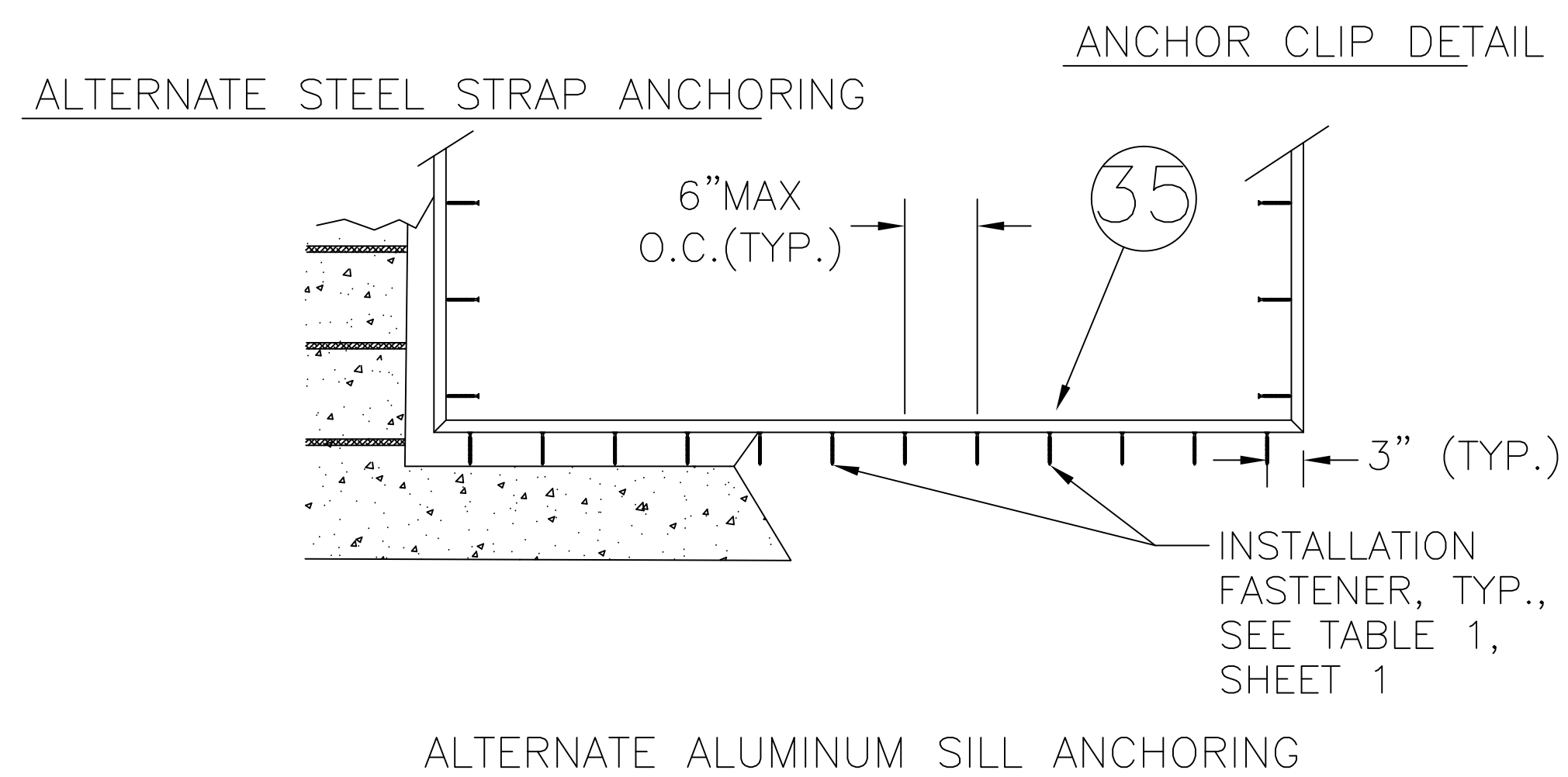
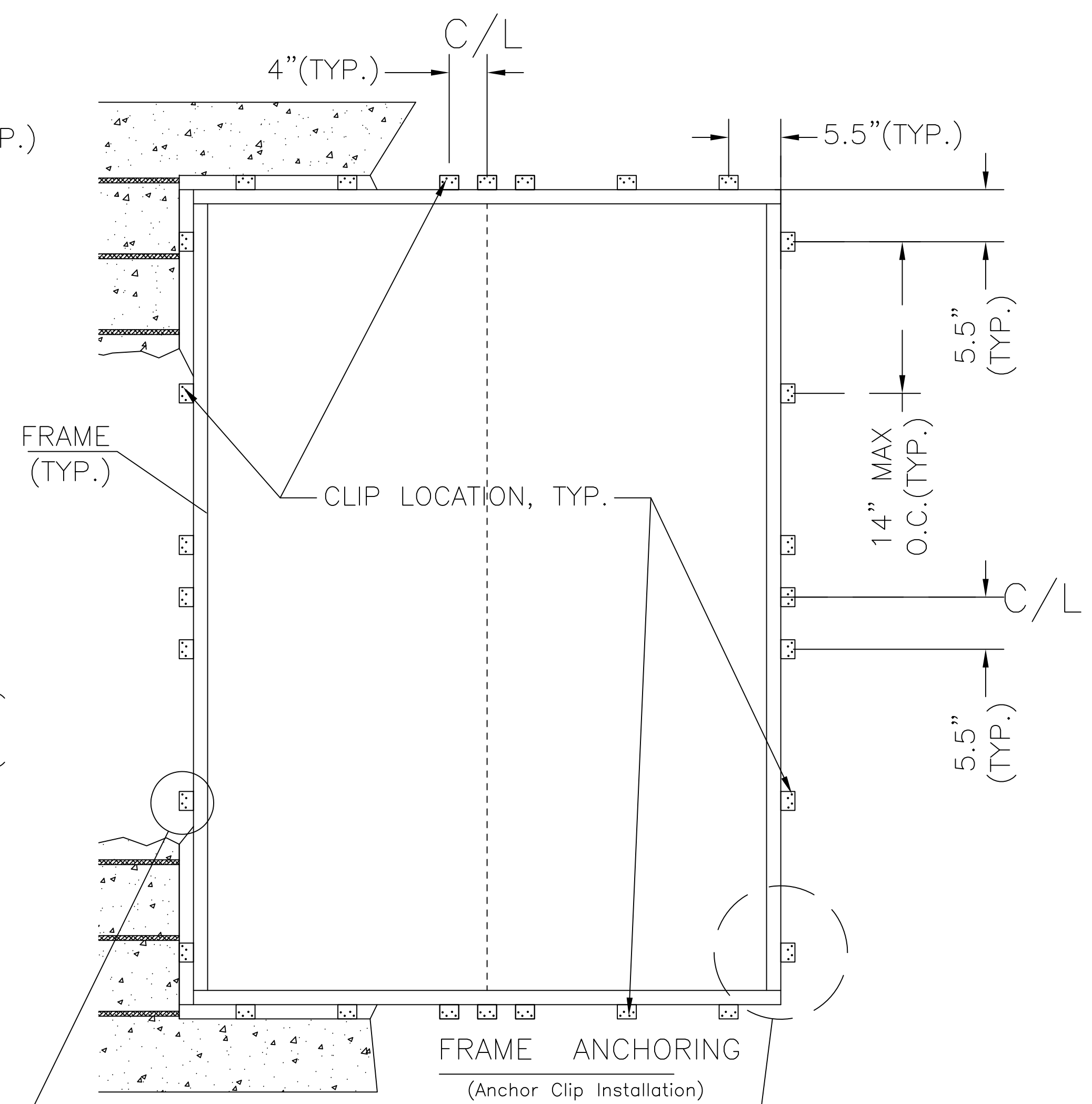
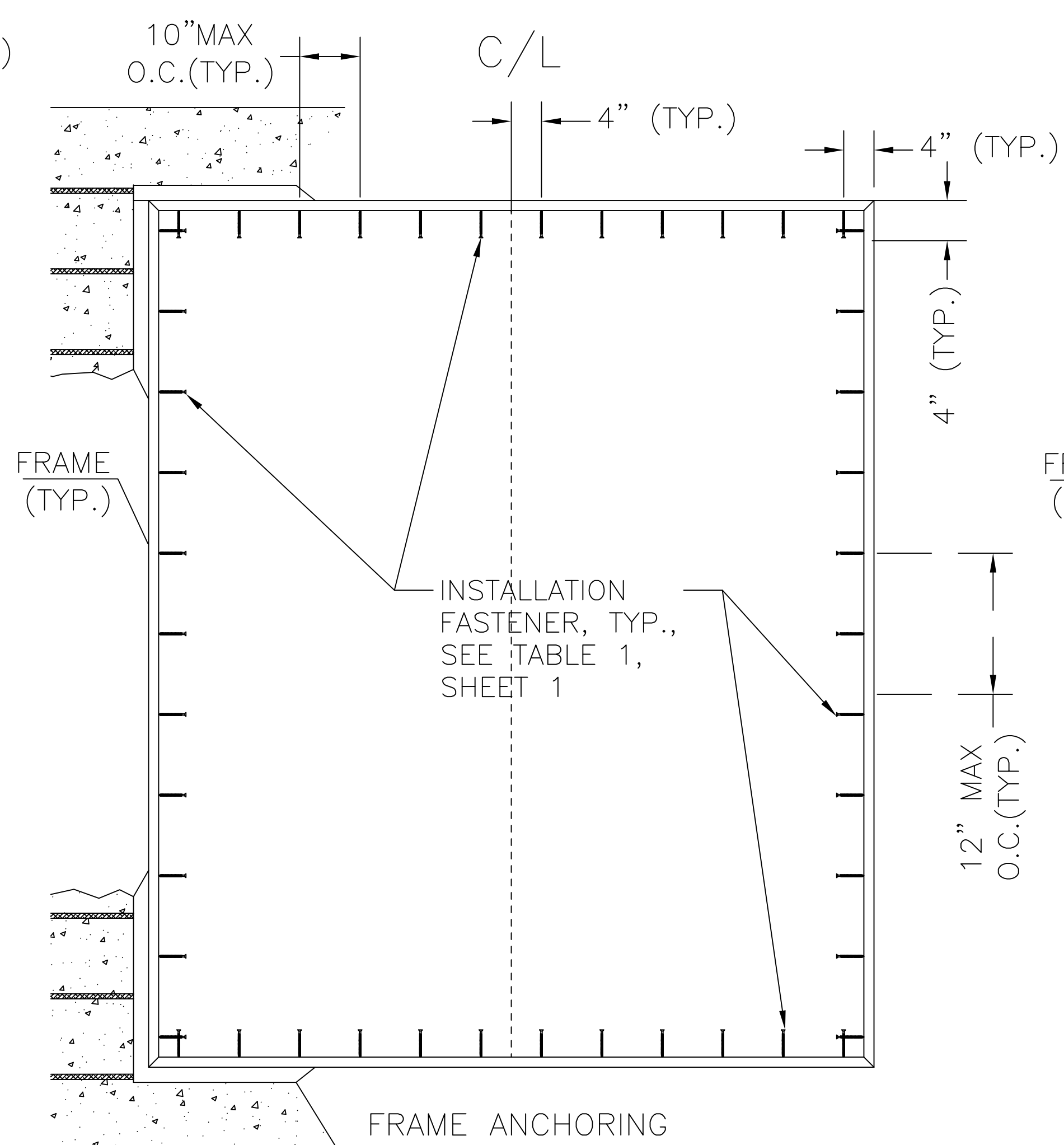
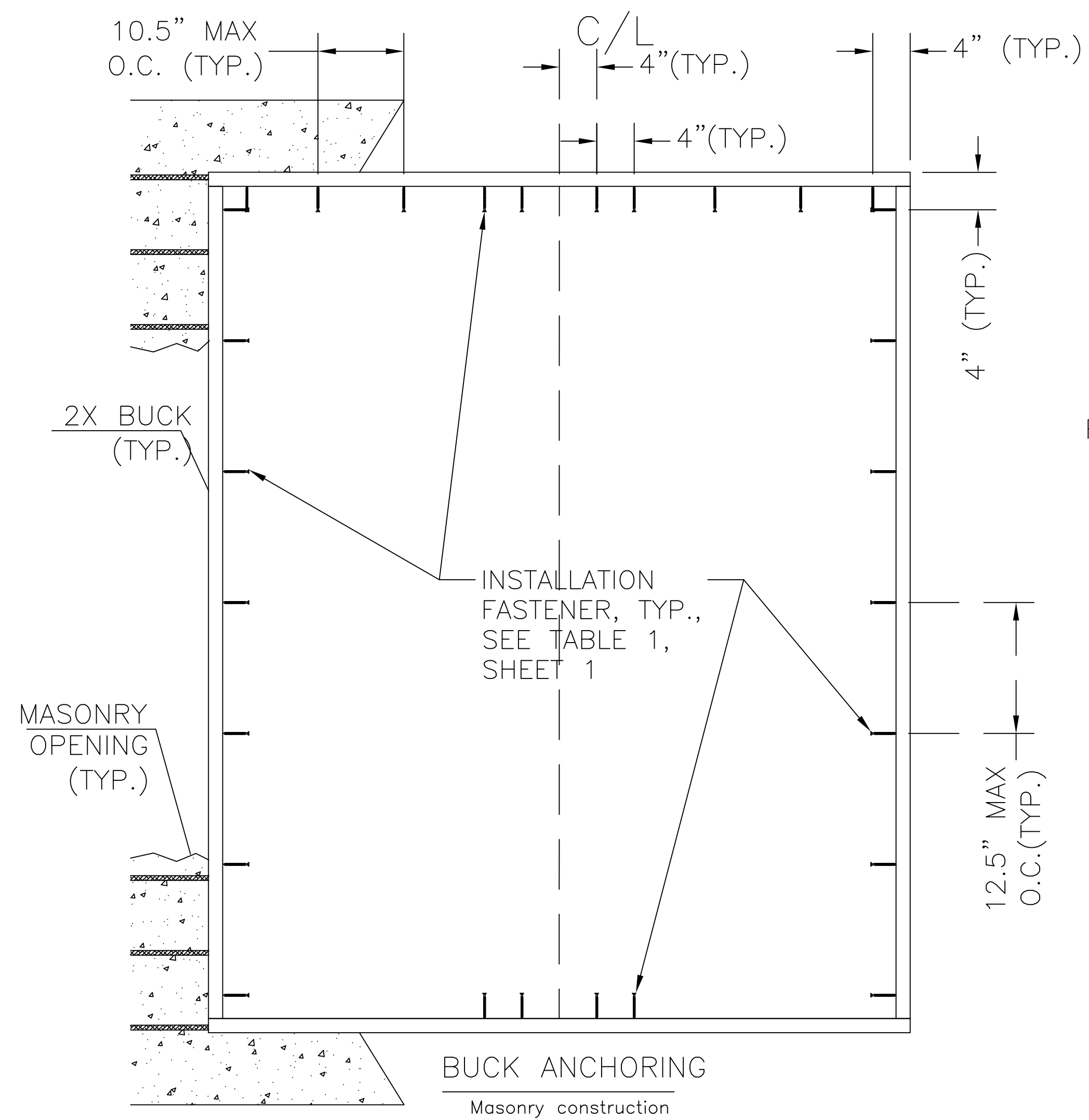
12/18/2020

TE&C  
 LUCAS A. TURNER, P.E. FL PE 58201  
 TURNER ENGINEERING & CONSULTING, INC.  
 FBPE COA #29779 PH. 941-380-1574  
 2428 OLD NATCHEZ TRACE TRAIL  
 CAMDEN, TN 38320

OWW LLC  
 3001 Tuxedo Ave., West Palm Beach, Fl. 33405  
 Ph. 561-478-7233 Fax 561-478-7858

Product: TWIN OUTSWING CASEMENT WINDOWS  
 Date: 10-05-15  
 Scale: None  
 Drawn: JDS  
 HARDWARE DETAILS &  
 GLASS BUILDS

Dwg: CA-0X-OS  
 FL34942.3  
 Sheet No.  
 4D OF 6



12/18/2020

TE&C  
 LUCAS A. TURNER, P.E. FL PE 58201  
 TURNER ENGINEERING & CONSULTING, INC.  
 FBPE COA #29779 PH. 941-380-1574  
 2428 OLD NATCHEZ TRACE TRAIL  
 CAMDEN, TN 38320

OWW LLC  
 3001 Tuxedo Ave., West Palm Beach, FL 33405  
 Ph. 561-478-7233 Fax 561-478-7858

Product: TWIN OUTSWING CASEMENT WINDOWS

BUCK & FRAME ANCHORING

Date: 10-05-15

Scale: None

Drawn: JDS

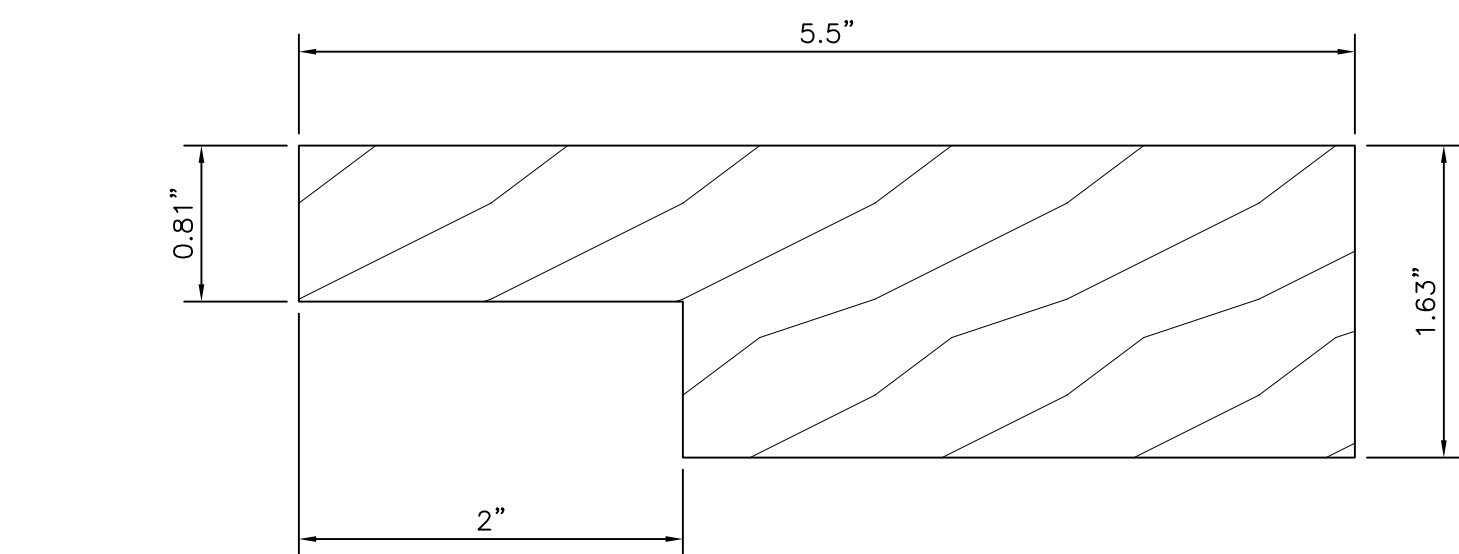
Dwg: CA-OX-OS

FL34942.3

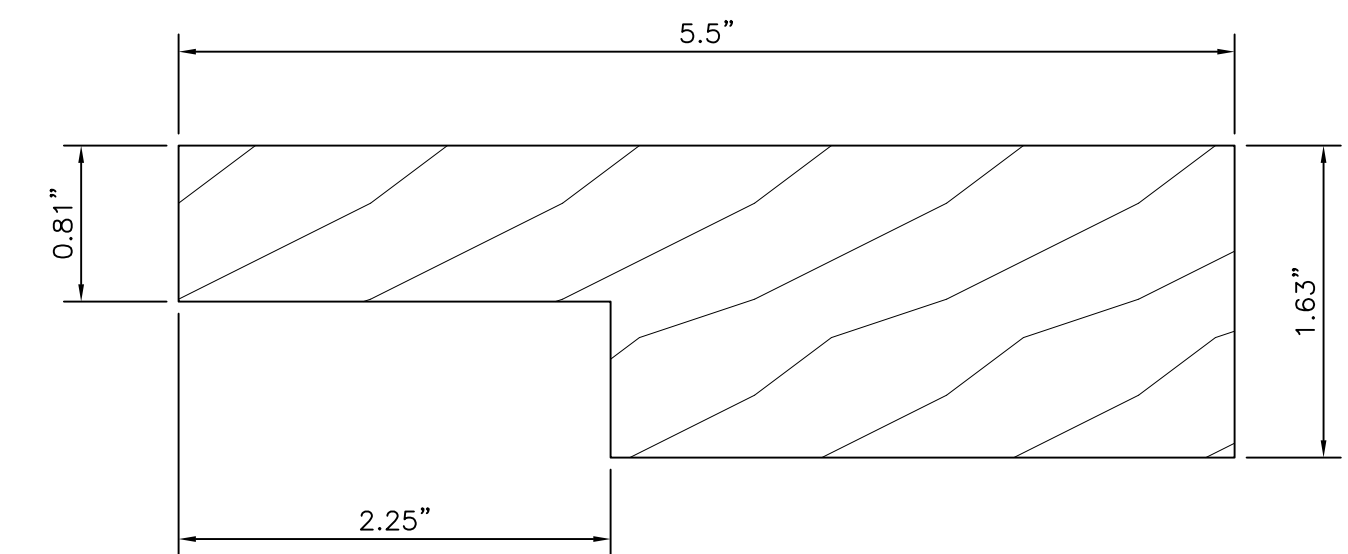
Sheet No.  
 5D OF 6

BILL OF MATERIALS		
ITEM #	DESCRIPTION	MATERIAL
A	1X BUCK (SG>=0.55)	WOOD
B	2X BUCK (SG>=0.55)	WOOD
C	1/4" MAX.SHIM SPACE	-
E	MASONARY - 3,000 PSI MIN. CONCRETE CONFORMING TO ACI 301 OR HOLLOW BLOCK CONFORMING TO ASTM C90	CONCRETE
H	#8 X 1-1/2" PFH WOOD SCREW	STEEL
J	#10 X 1-1/2" PFH WOOD SCREW	STEEL
L	#12 X 1-3/4" PFH WOOD SCREW	STEEL
M	#8 X 3/4" PPH SMS	STEEL
1	FRAME (OPERABLE)	WOOD
1A	FRAME (FIXED)	WOOD
3	SASH (MOULDING TO INTERIOR)	WOOD
3A	SASH (MOULDING TO WEATHER)	WOOD
3B	FIXED SASH (MOULDING TO INTERIOR)	WOOD
3C	FIXED SASH (MOULDING TO WEATHER)	WOOD
4	GLAZING BEAD (I.G.)	WOOD
5	GLAZING BEAD (MONO.)	WOOD
6	ANCHOR BRACKET (SIMPSON STRONG-TIE A23Z)	STEEL
7	WEATHERSTRIP ROVER PLASTIK 142AC OR SIMILAR	-
8	WEATHERSTRIP (SEALMAX TIMBERSEAL)	-
10	#10 X 2-1/2" FH WOOD SCREW	STEEL
18	3.5" X 3.5" BUTT HINGE	STEEL
19	#10 X 1" PFH WOOD SCREWS	STEEL
20	MULTI-POINT LOCK (TRUTH MAXIM)	-
21	MULTI-POINT LOCK (GU CONTURA)	-
22	MULTI-POINT LOCK (SEGENIA FAVORIT-312)	-
24	SNUBBERS (GU OR TRUTH)	STEEL
25	2-BAR HINGE (TRUTH)	STEEL
26	CONCEALED PIVOT HINGE (GU)	STEEL
35	ALUMINUM SILL ANCHOR	ALUM
36	STEEL ANCHOR STRIP	STEEL

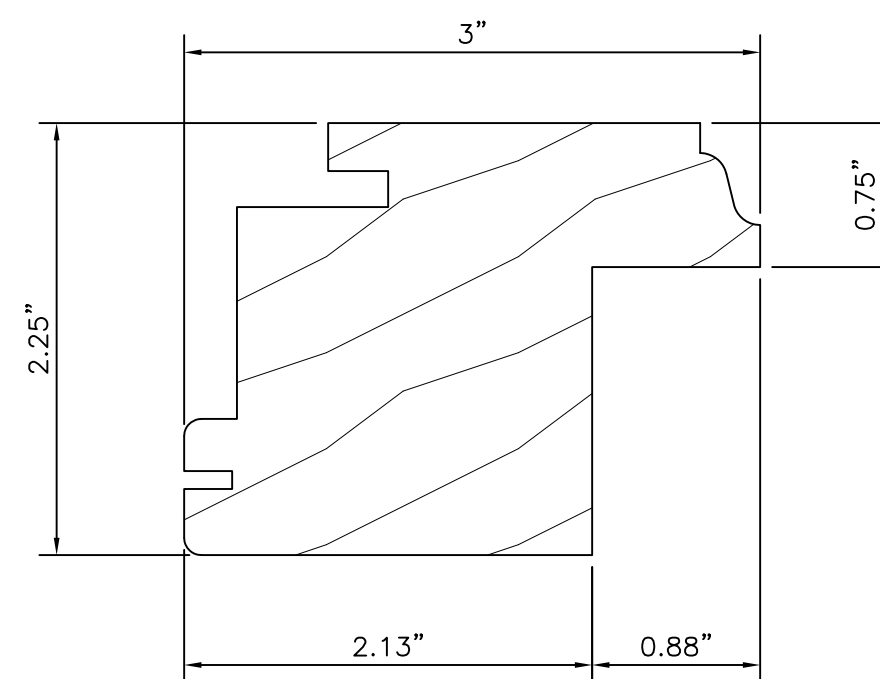
NOTE: ALL WINDOW FRAME WOOD: MAHOGANY (MIN. SG=0.50)



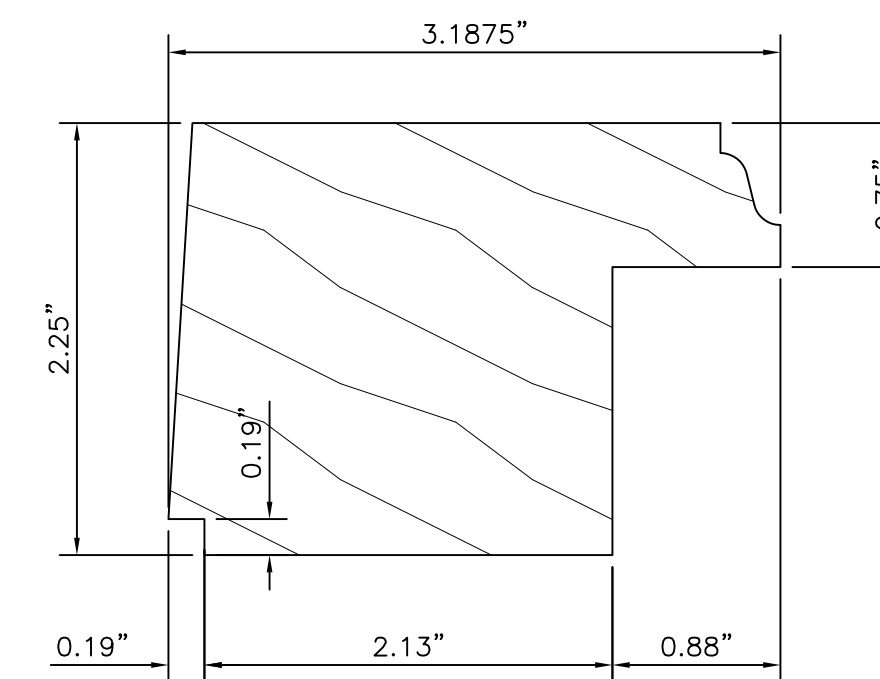
① FRAME OPERABLE



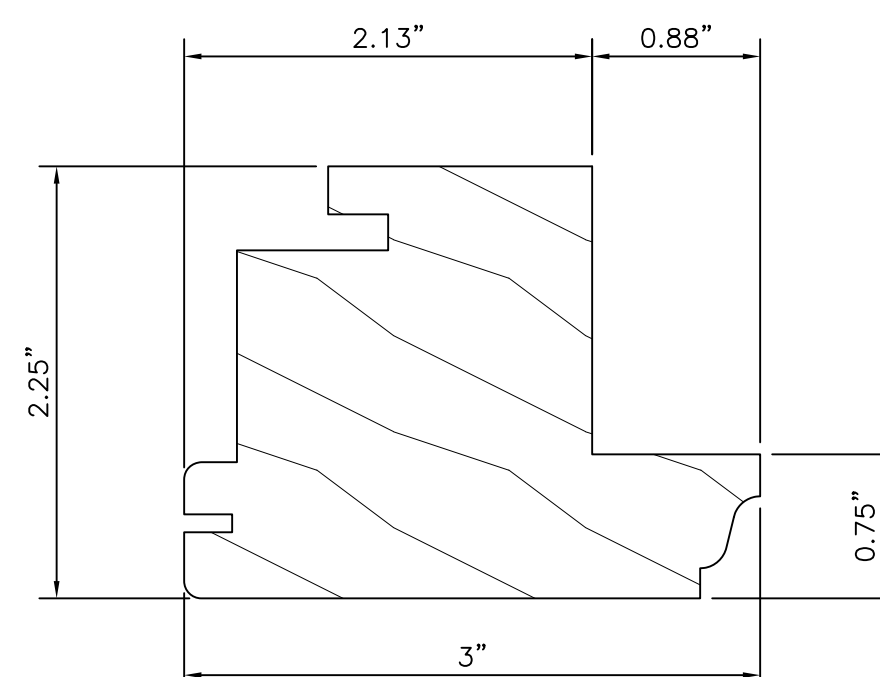
①A FRAME FIXED



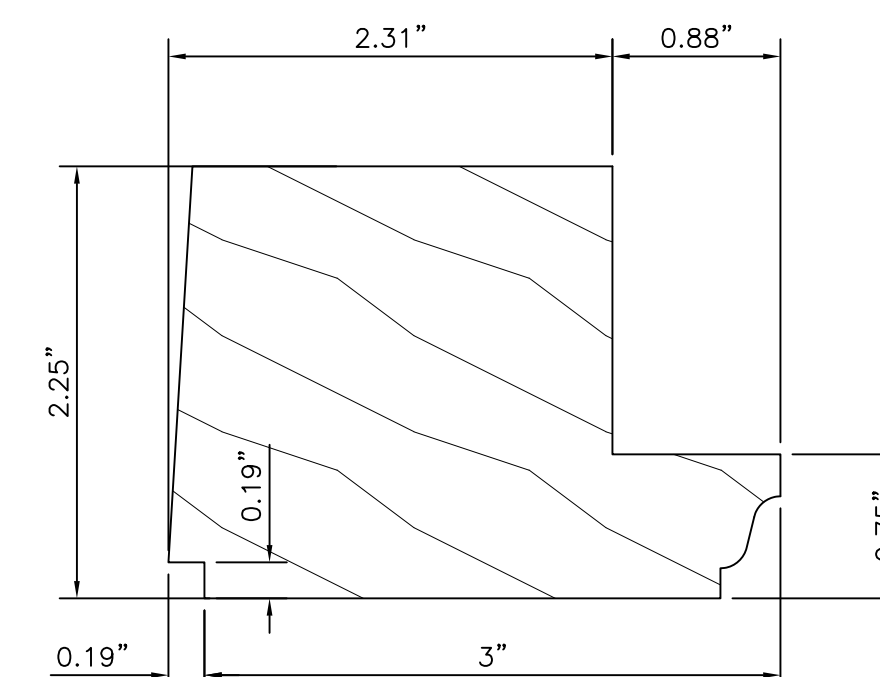
③ SASH MOULDING TO INTERIOR



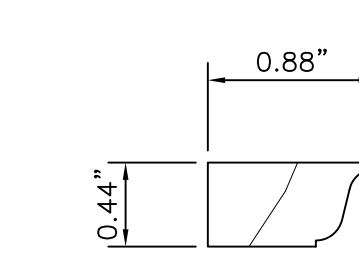
③B FIXED SASH MOULDING TO INTERIOR



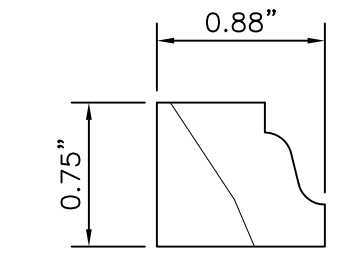
③A SASH MOULDING TO WEATHER



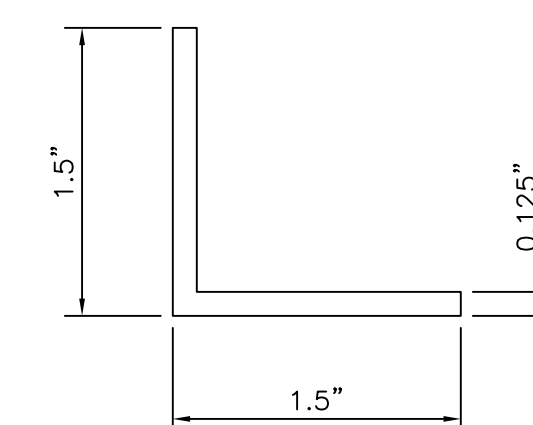
③C FIXED SASH MOULDING TO WEATHER



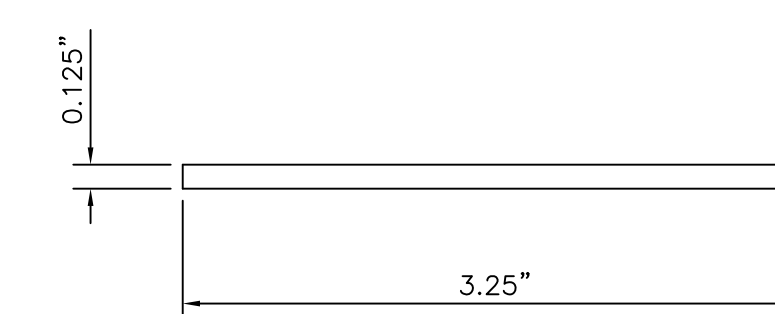
④ GLAZING BEAD 7/8" I.G.



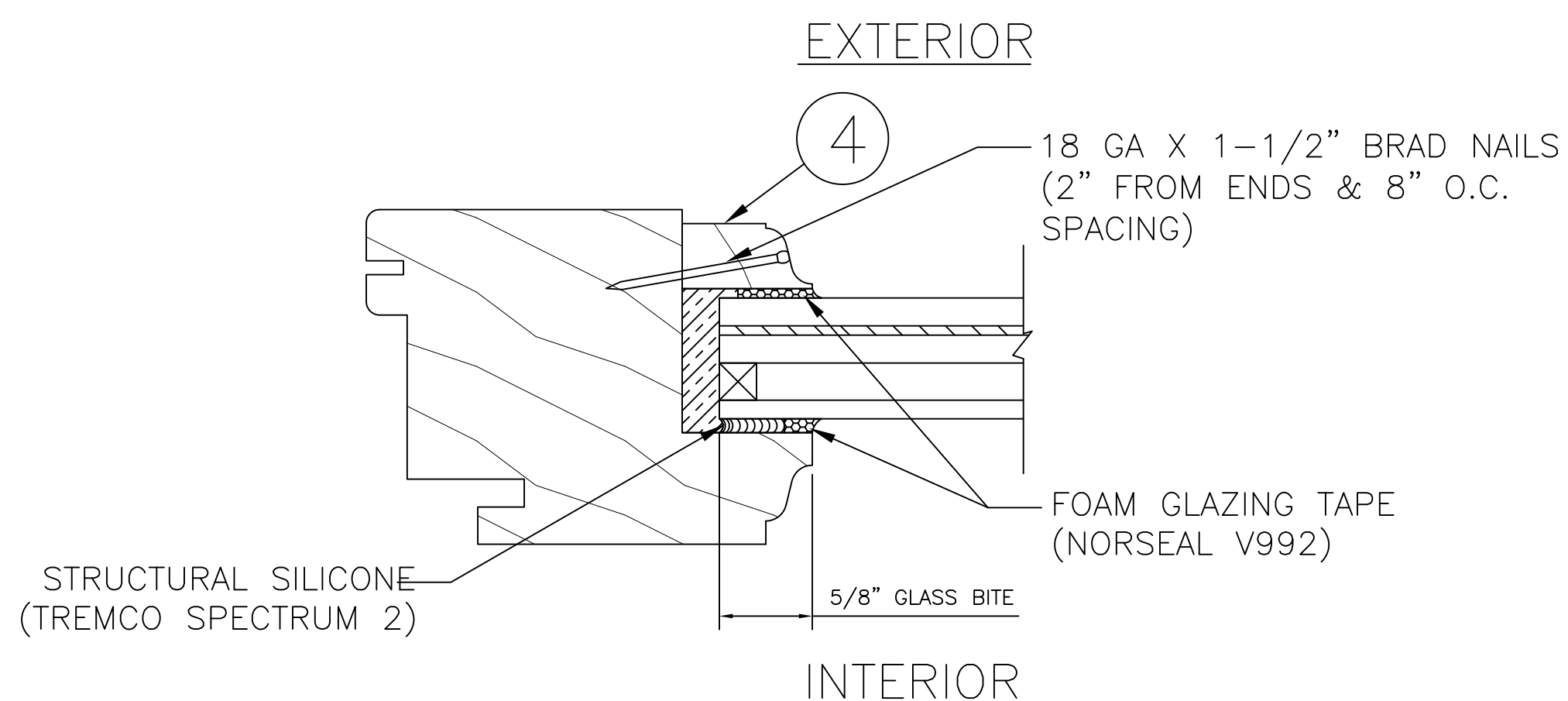
⑤ GLAZING BEAD 7/16" MONO.



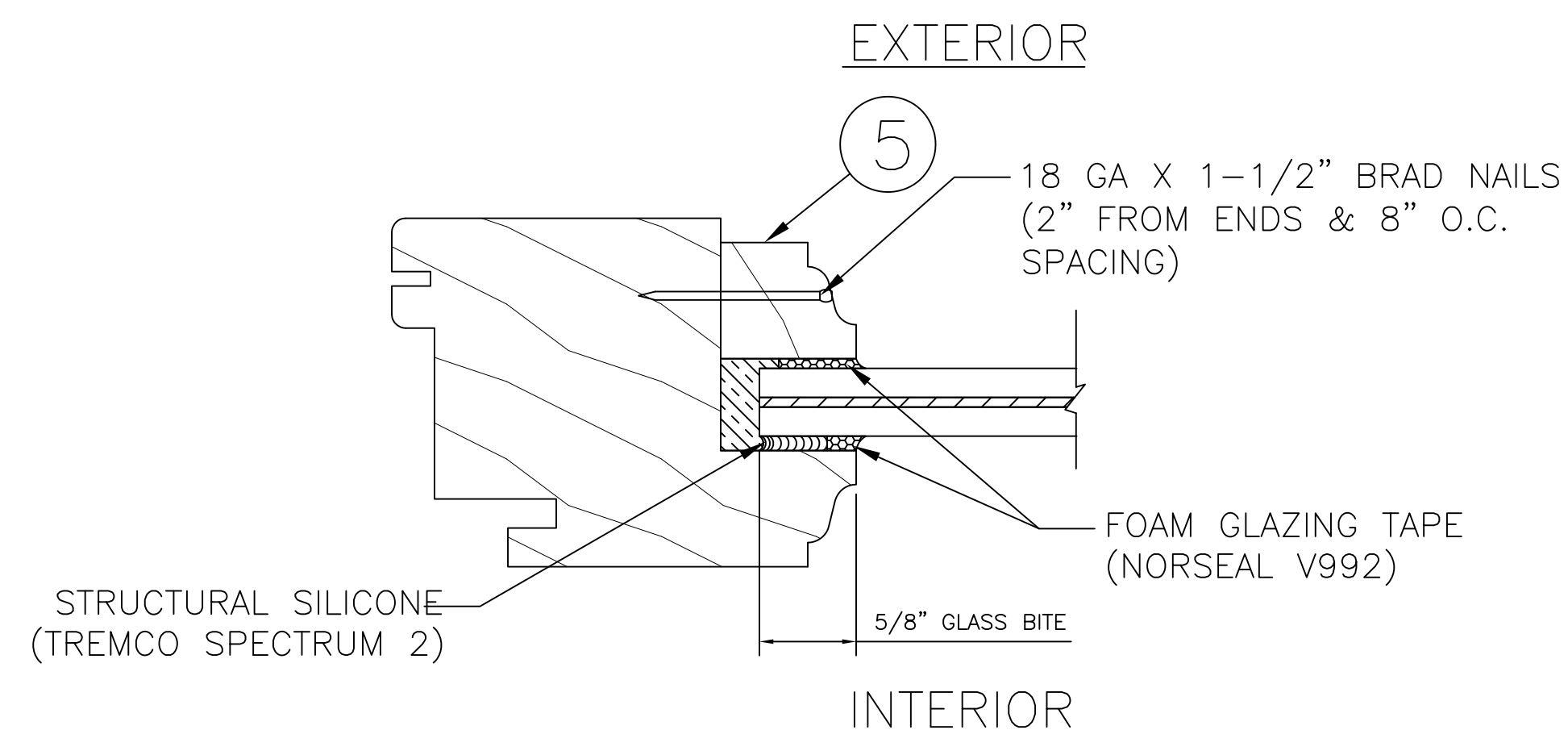
③5 ALUMINUM ANCHOR Full Length



③6 STEEL ANCHOR STRIP 1.25" Wide



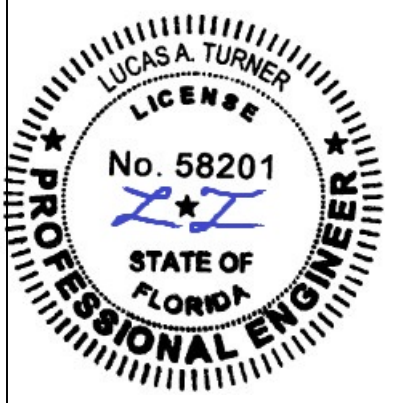
① GLAZING DETAIL



② GLAZING DETAIL

GLASS TYPES AND STRUCTURE

- ① 15/16" (NOM.) LAMINATED INSULATING GLASS  
1/8" EXTERIOR HEAT STRENGTHENED (IN HVHZ, ALLOWED ONLY WITHIN 30 FT OF GRADE) OR FULLY TEMPERED /  
1/4" AIR SPACE WITH ALUMINUM SPACER /  
3/16" ANNEALED  
.075" INTERLAYER: SAFLEX CP BY EASTMAN CHEMICAL COMPANY /  
3/16" ANNEALED
- ② 7/16" (NOM.) STORM GLASS  
3/16" HEAT STRENGTHENED /  
.075" INTERLAYER: SAFLEX CP BY EASTMAN CHEMICAL COMPANY /  
3/16" HEAT STRENGTHENED



12/18/2020

TE&C  
LUCAS A. TURNER, P.E. FL PE 58201  
TURNER ENGINEERING & CONSULTING, INC.  
FBPE COA #29779 PH. 941-360-1574  
2428 OLD NATCHEZ TRACE TRAIL  
CAMDEN, TN 38320

OWW LLC  
3001 Tuvedo Ave., West Palm Beach, FL 33405  
Ph. 561-478-7233 Fax 561-478-7858

Product: TWIN OUTSWING CASEMENT WINDOWS  
BILL OF MATERIALS, COMPONENTS & GLAZING DETAILS

Date: 10-05-15  
Scale: None  
Drawn: JDS

Dwg: CA-OX-OS  
FL34942.3  
Sheet No. 6D OF 6