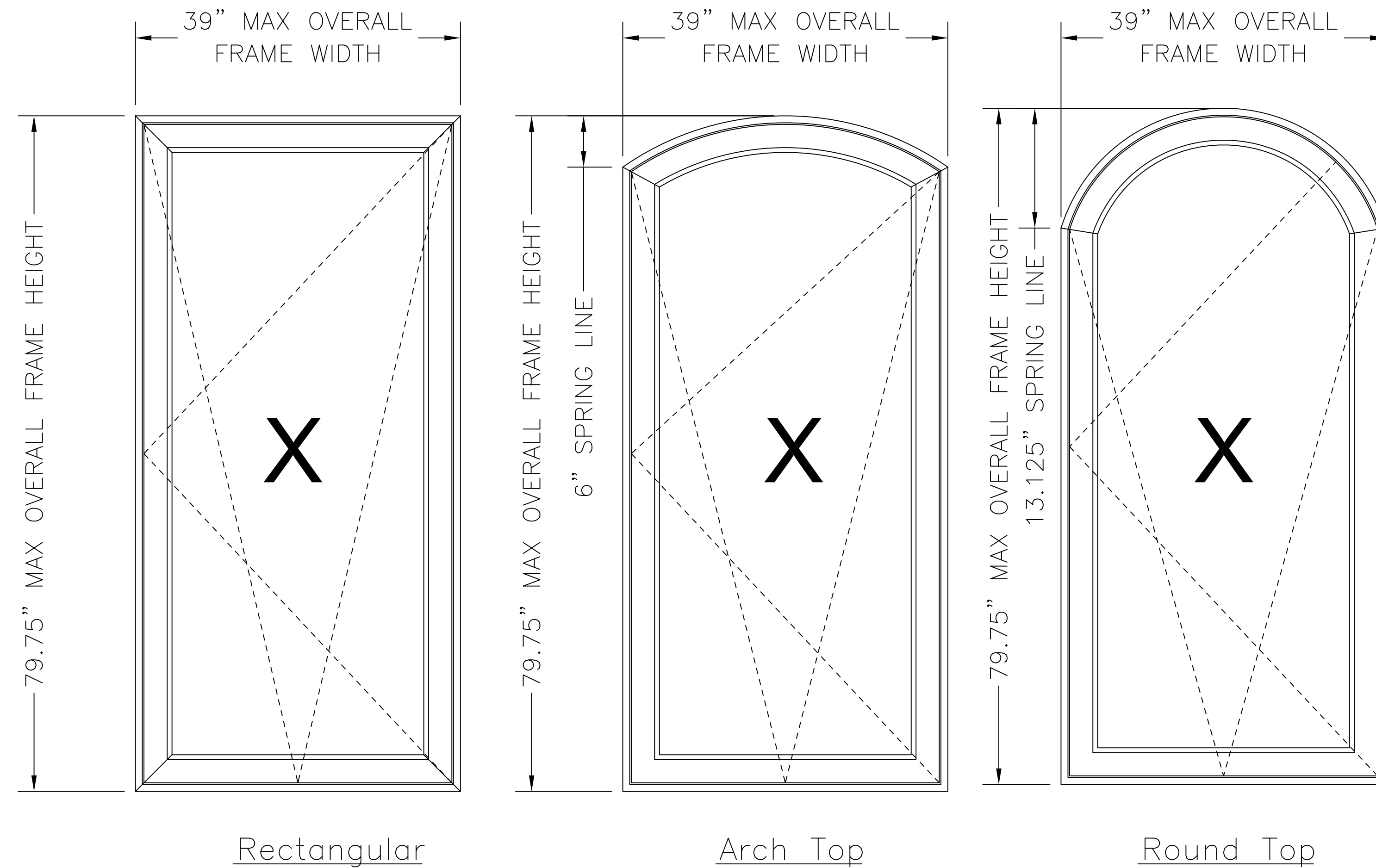


# CASEMENT WINDOW – INSWING / TILT-TURN – "IMPACT" BY OWW LLC

DESIGN PRESSURE = + 75.0 PSF, – 75.0 PSF

## GENERAL NOTES

1. This product has been evaluated and is in compliance with 7th Edition (2020) Florida Building Code (FBC) structural requirements including the "High Velocity Hurricane Zone" (HVHZ).
2. Product anchors shall be as listed and spaced as shown on details. Anchor embedment to base materials shall be beyond wall dressing or stucco. All anchors used shall be of a material or have a coating compatible with pressure treated wood if used, and all other window materials.
3. When used in the "HVHZ" this product complies with Section 1626 of the FBC and does not require an impact resistant covering.
4. The opening substrate materials (framing, masonry, bucks) are by others and must be properly designed and installed to transfer superimposed loads to the structure. For 2X stud framing construction, anchoring of these units shall be the same as that shown for 2X buck masonry construction. Wood bucks over masonry, if used, shall be pressure treated, with either a treatment or coating compatible with this product and anchors.
5. All window frame wood to be Mahogany (Specific Gravity = 0.50).
6. Site conditions that deviate from the details of this drawing require further engineering analysis by a licensed engineer or registered architect.
7. This product has been laboratory tested to meet the water infiltration requirements for "HVHZ." Sealing and flashing strategies for overall water infiltration resistance of the field-installed product shall be the responsibility of others and are not addressed by this document.



## TABLE OF CONTENTS

SHEET #	DESCRIPTION
1	Typical elevation, design pressures & general notes
2	Horizontal cross sections
3	Vertical cross sections
4	Hardware details
5	Buck and frame anchoring
6	Bill of materials, components & glazing details

TABLE 1. QUALIFIED ANCHOR INFORMATION

ID	SUBSTRATE	ANCHOR	MIN. EMBEDMENT	MIN. EDGE DISTANCE
A	SOLID UNCRACKED CONCRETE (2850 PSI MIN.)	1/4" ELCO COATED CARBON STEEL	1 3/8"	1"
B	GROUT-FILLED CMU (ASTM C-90) (JAMBS ONLY)	1/4" ELCO COATED CARBON STEEL	1 3/4"	2 1/2"
C	SOLID UNCRACKED CONCRETE (2000 PSI MIN.)	1/4" ITW COATED CARBON STEEL TAPCON	1 1/2"	1 1/2"
D	HOLLOW CMU (117 PCF MIN.) (JAMBS ONLY)	1/4" ITW COATED CARBON STEEL TAPCON	1"	2"
E	CONCRETE (3000 PSI MIN)	1/4" HILTI COATED CARBON STEEL OR STAINLESS STEEL KWIK-CON II	1"	2 1/2"
F	HOLLOW OR GROUT-FILLED CMU (ASTM C-90)	1/4" HILTI COATED CARBON STEEL OR STAINLESS STEEL KWIK-CON II	1"	2 1/2"
G	2x MIN. SOUTHERN PINE WOOD (G=0.55 MIN)	#12 GRADE 5 WOOD SCREW	1 1/2"	1"
H	16 GAUGE (0.060") MIN. STEEL STUD (33 KSI YIELD MIN.) OR 1/8" MIN. ALUMINUM (6063-T5)	#14 ITW TEKS SELF-DRILLING SCREW	FULL + 3 THREADS	1/2"



12/18/2020

TE&C  
LUCAS A. TURNER, P.E. FL PE 58201  
TURNER ENGINEERING & CONSULTING, INC.  
FBPE COA #29779 PH. 941-380-1574  
2428 OLD NATCHEZ TRACE TRAIL  
CAMDEN, TN 38320

OWW LLC  
3001 Tuxedo Ave., West Palm Beach, FL 33405  
Ph. 561-478-7233 Fax 561-478-7858

Product: WOOD INSWING / TILT-TURN CASEMENT WINDOW

TYPICAL ELEVATION, DESIGN PRESSURES & GENERAL NOTES

Date: 10-5-15

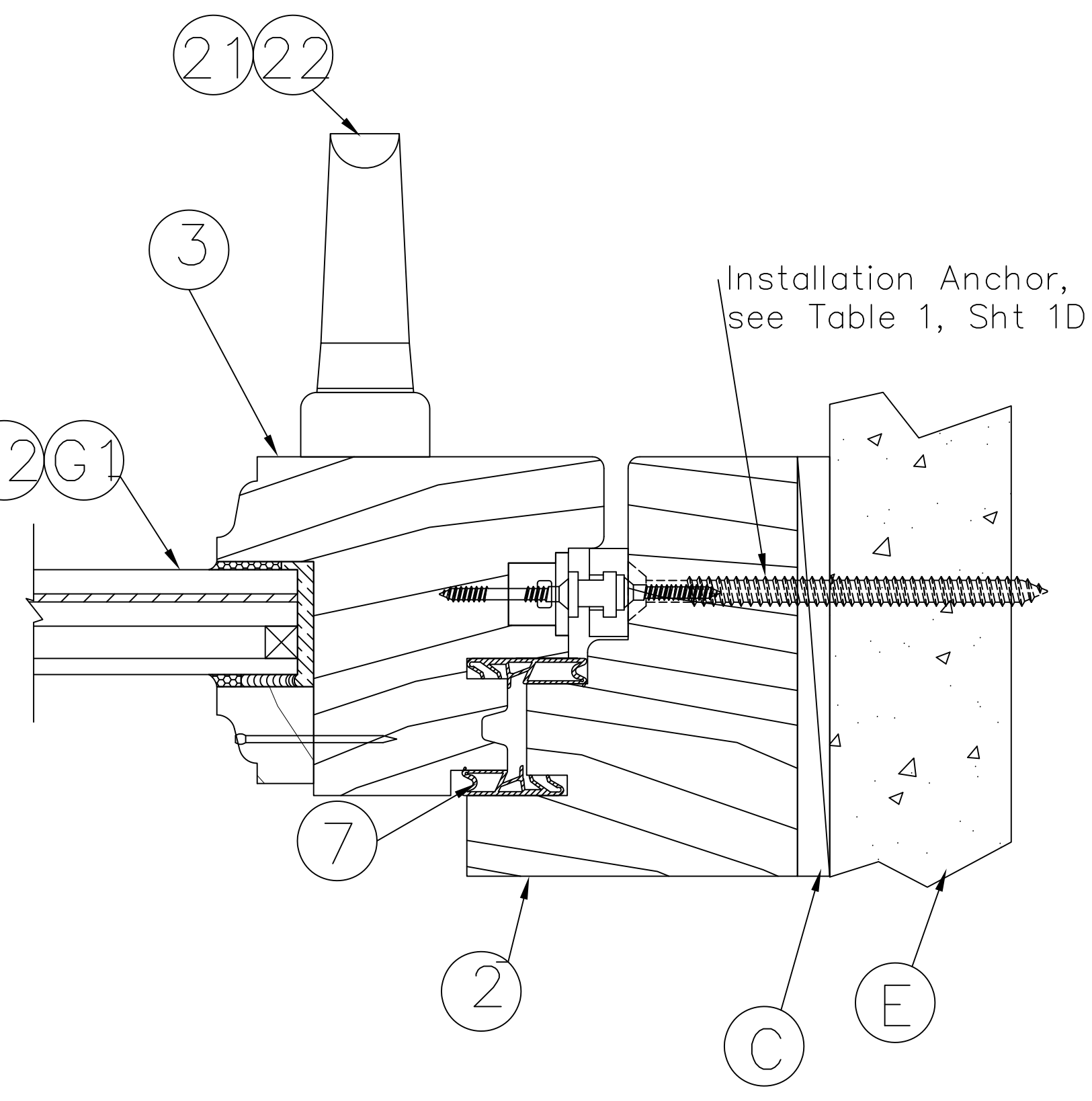
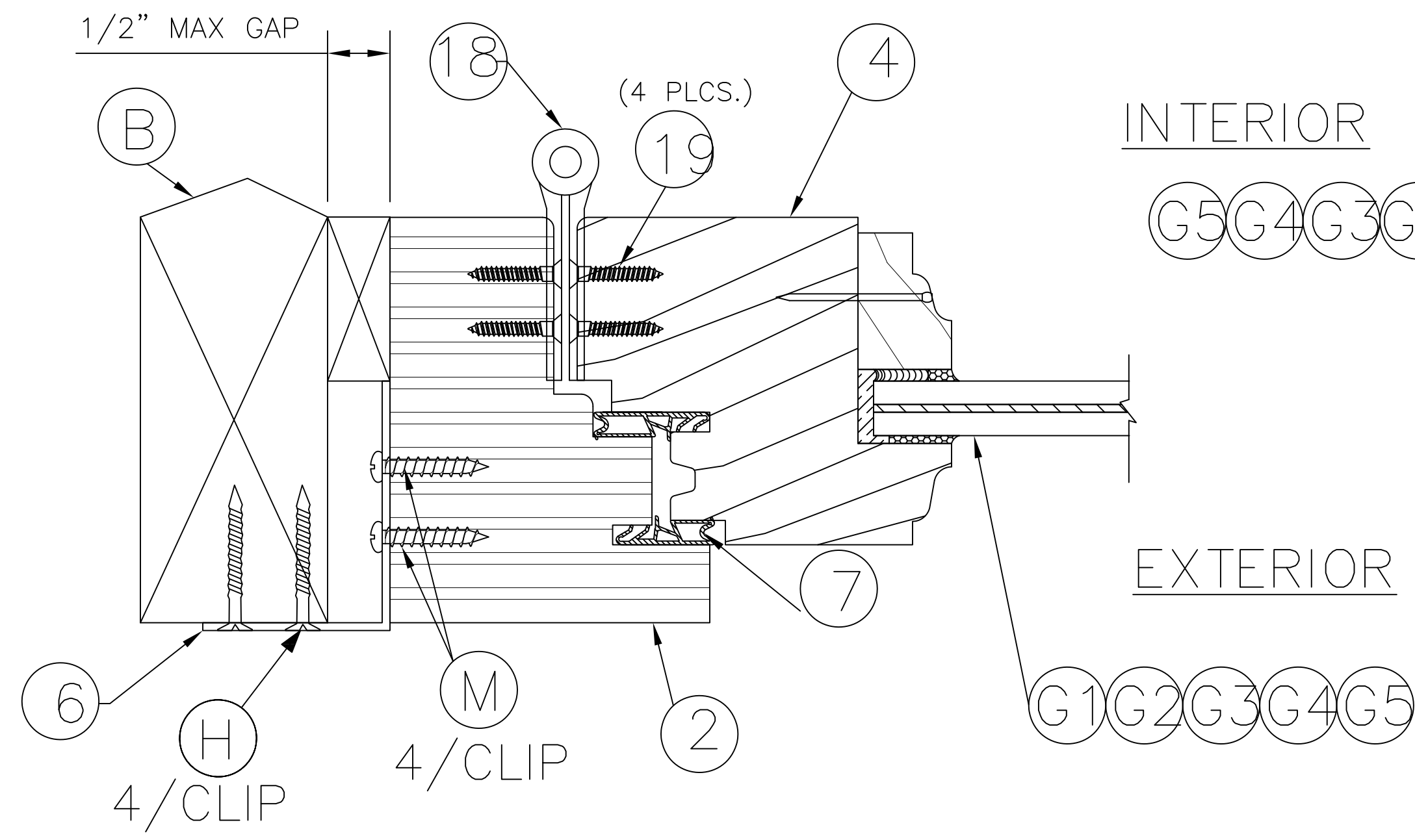
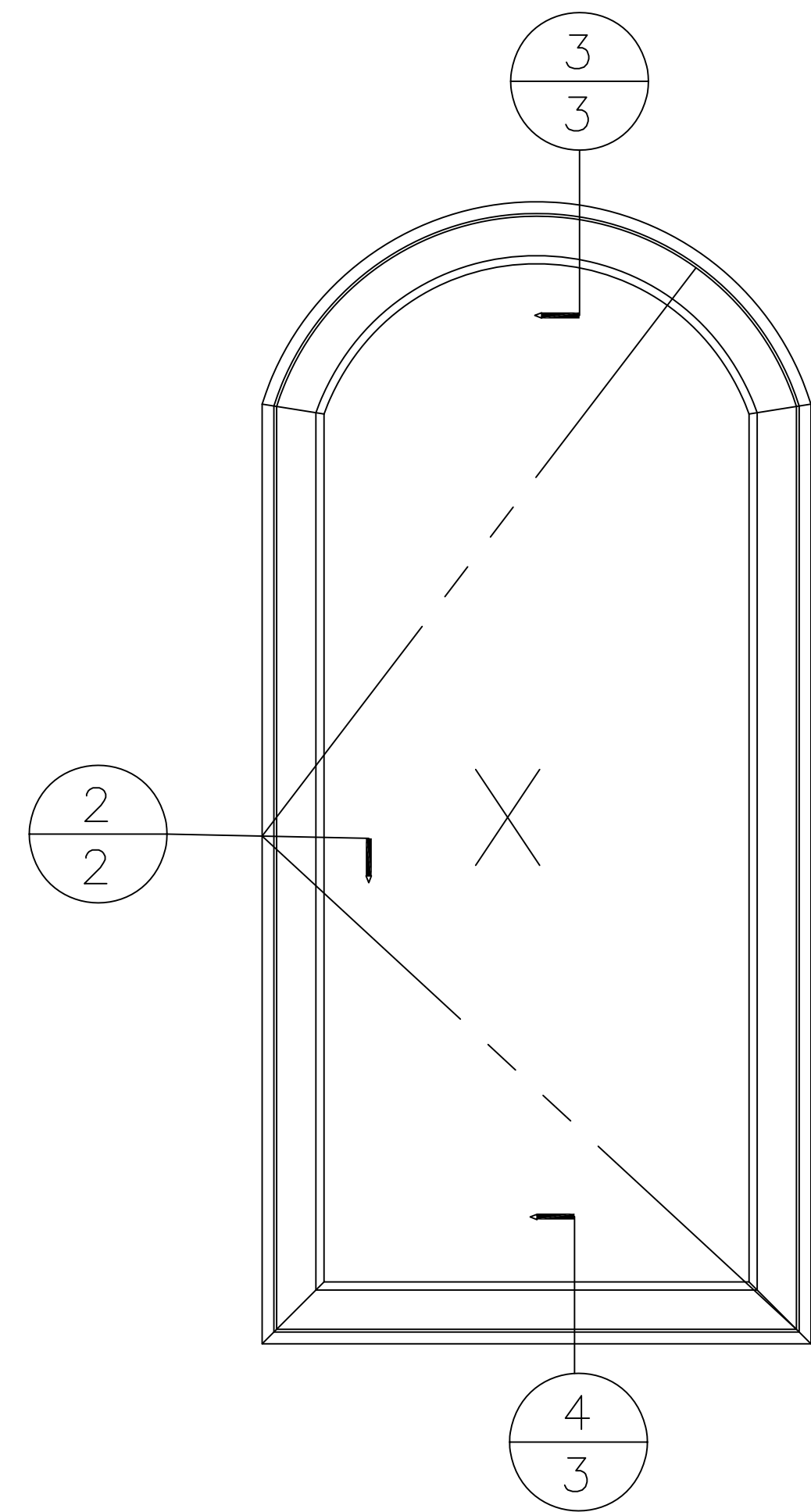
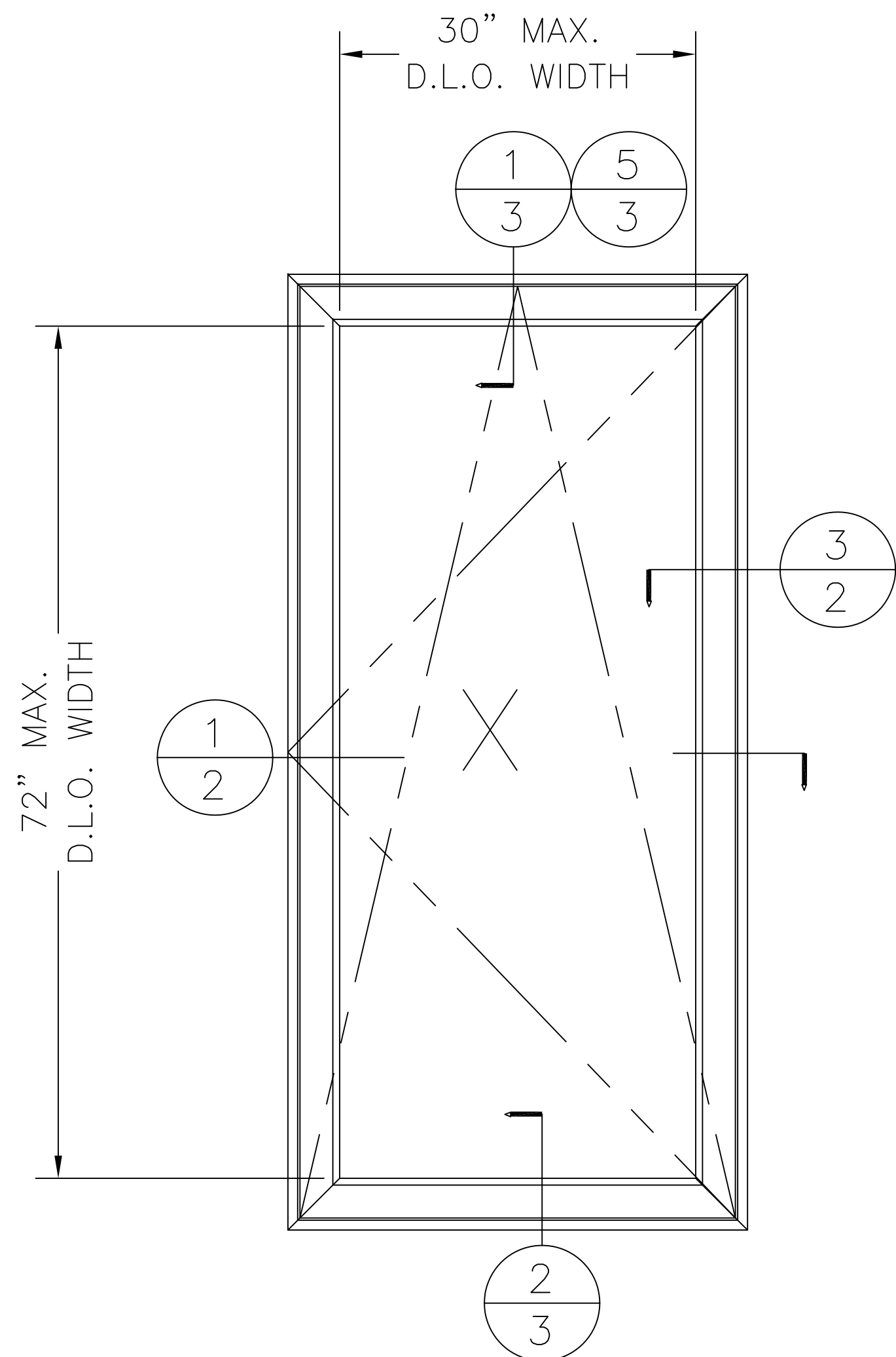
Scale: None

Drawn: JDS

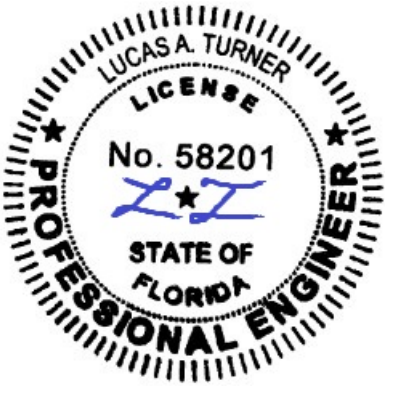
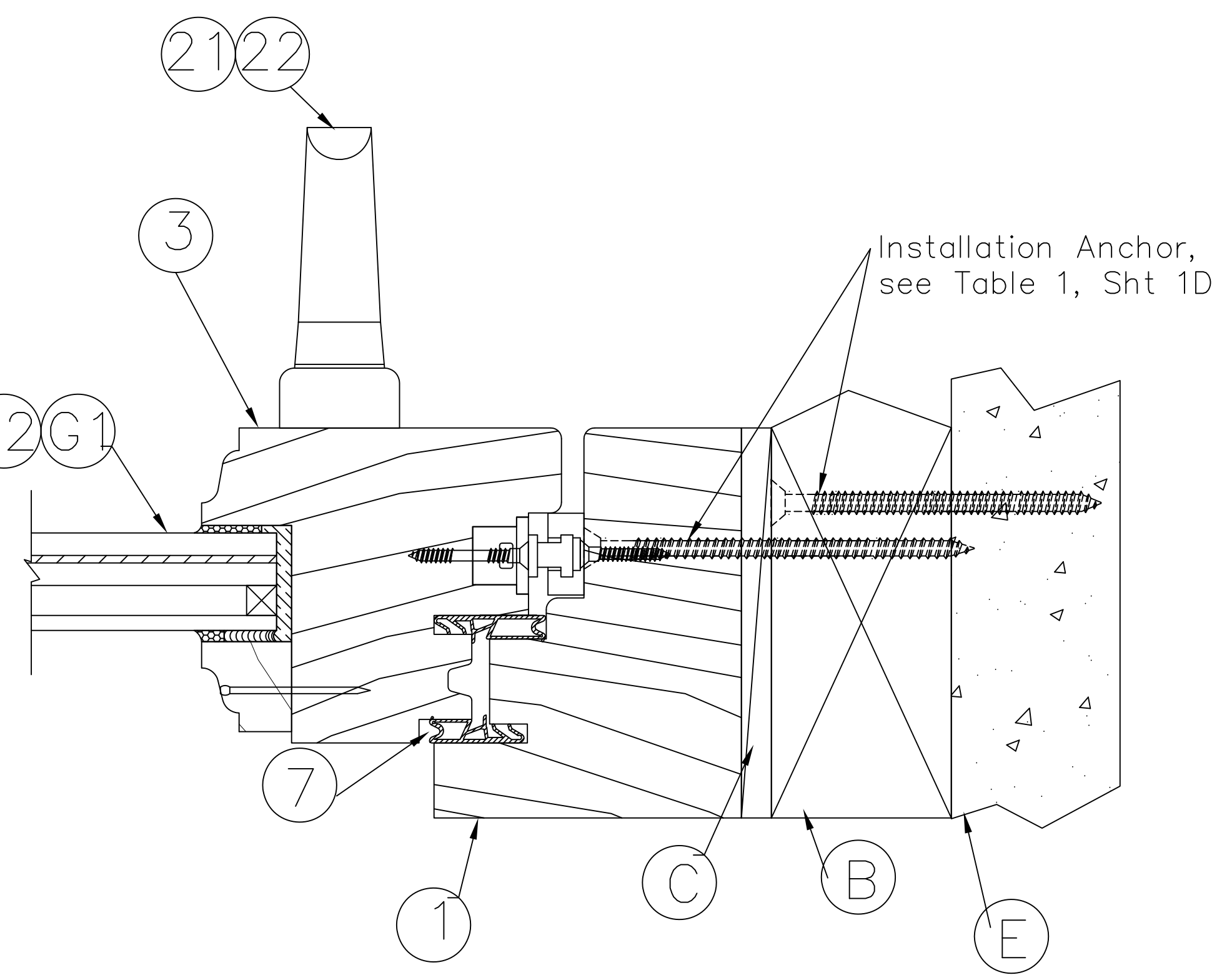
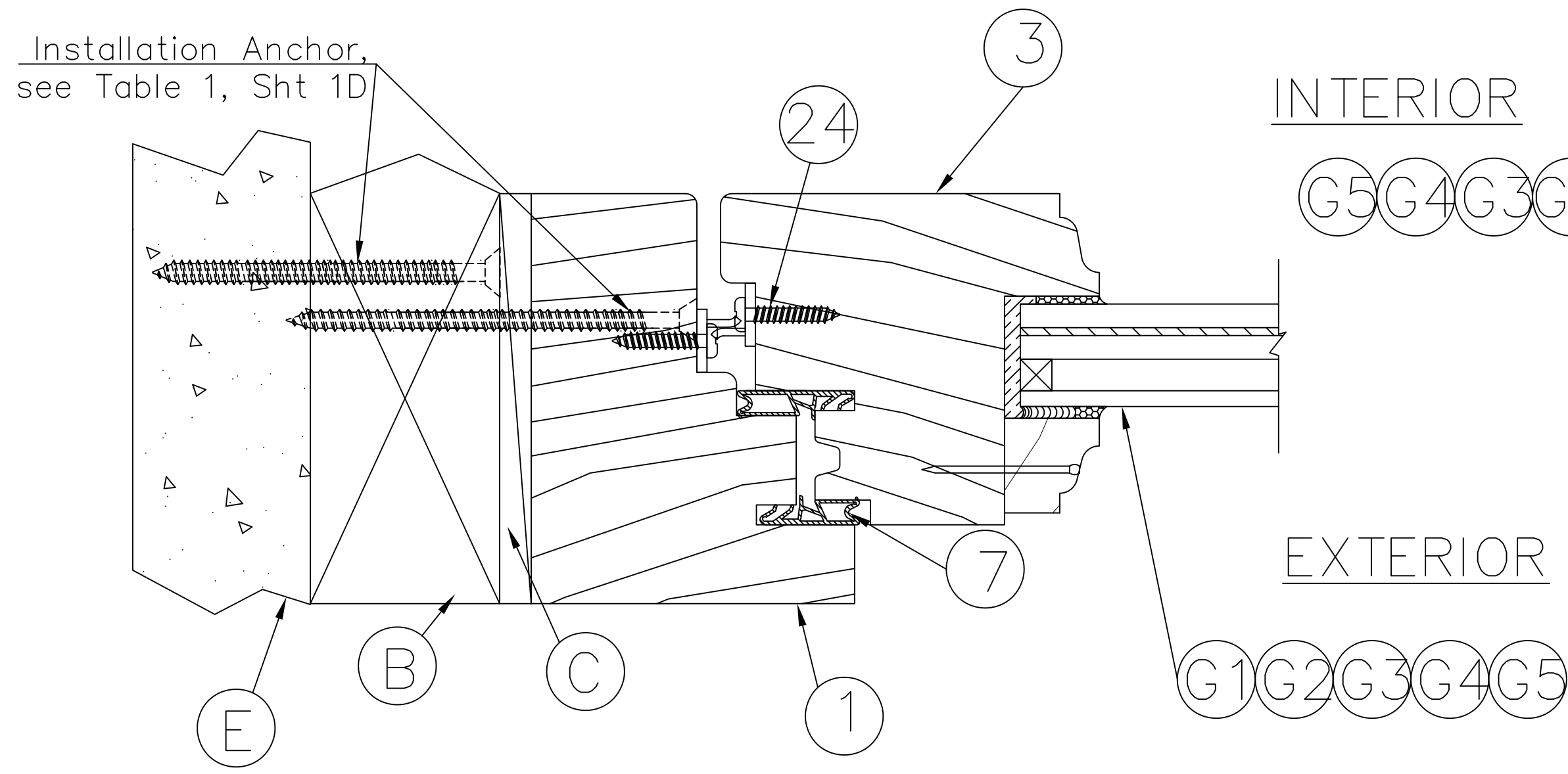
Dwg: CA-TT

FL34942.2

Sheet No.  
1D OF 6



NOTE: GLAZING DETAIL A OR B  
MAY BE USED FOR ALL DETAILS



12/18/2020

TE&C  
LUCAS A. TURNER, P.E. FL PE 58201  
TURNER ENGINEERING & CONSULTING, INC.  
FBPE COA #29779 PH. 941-380-1574  
2428 OLD NACHEZ TRACE TRAIL  
CAMDEN, TN 38320

OWW LLC  
3001 Tuxedo Ave., West Palm Beach, FL 33405  
Ph. 561-478-7233 Fax 561-478-7858

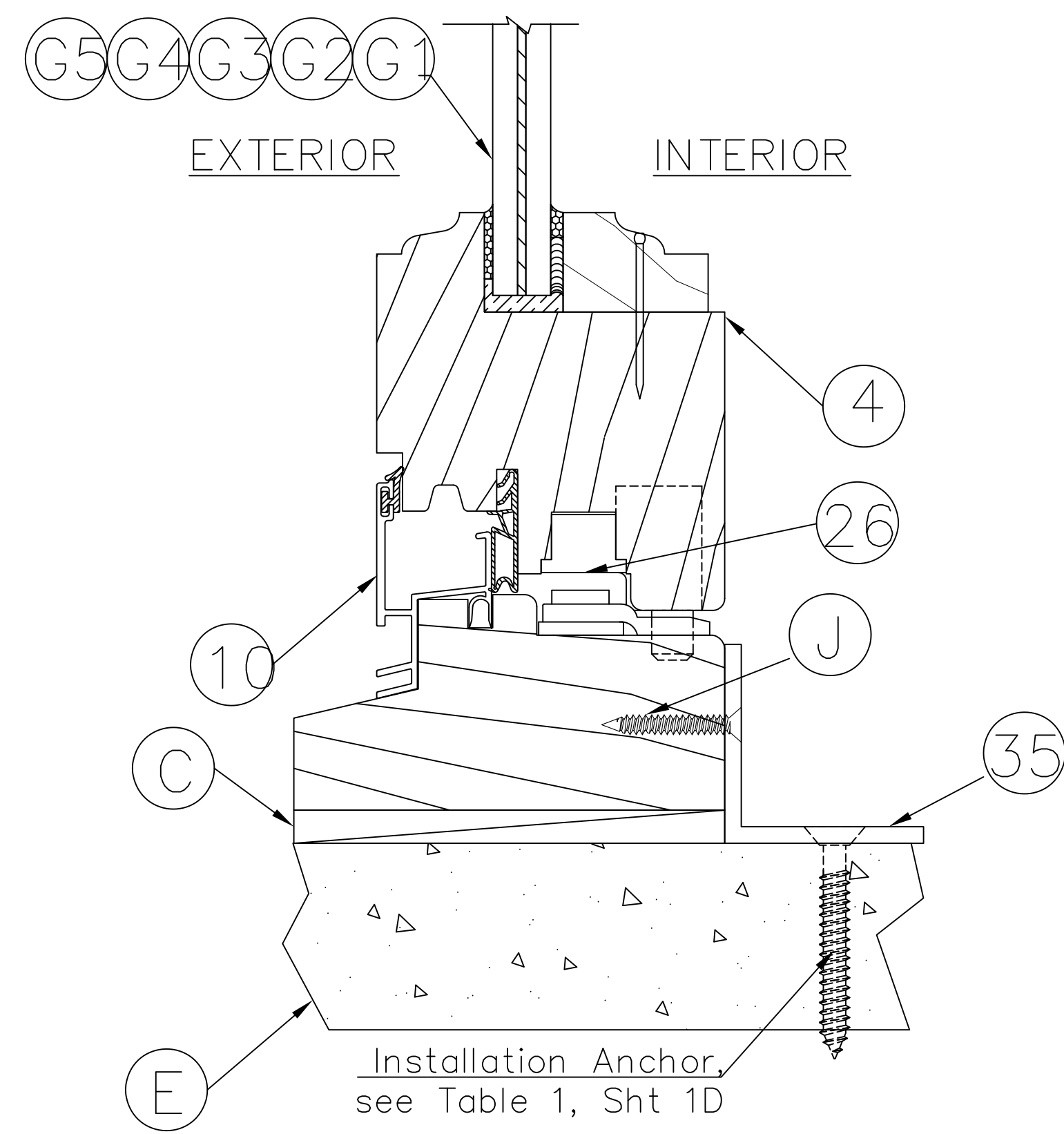
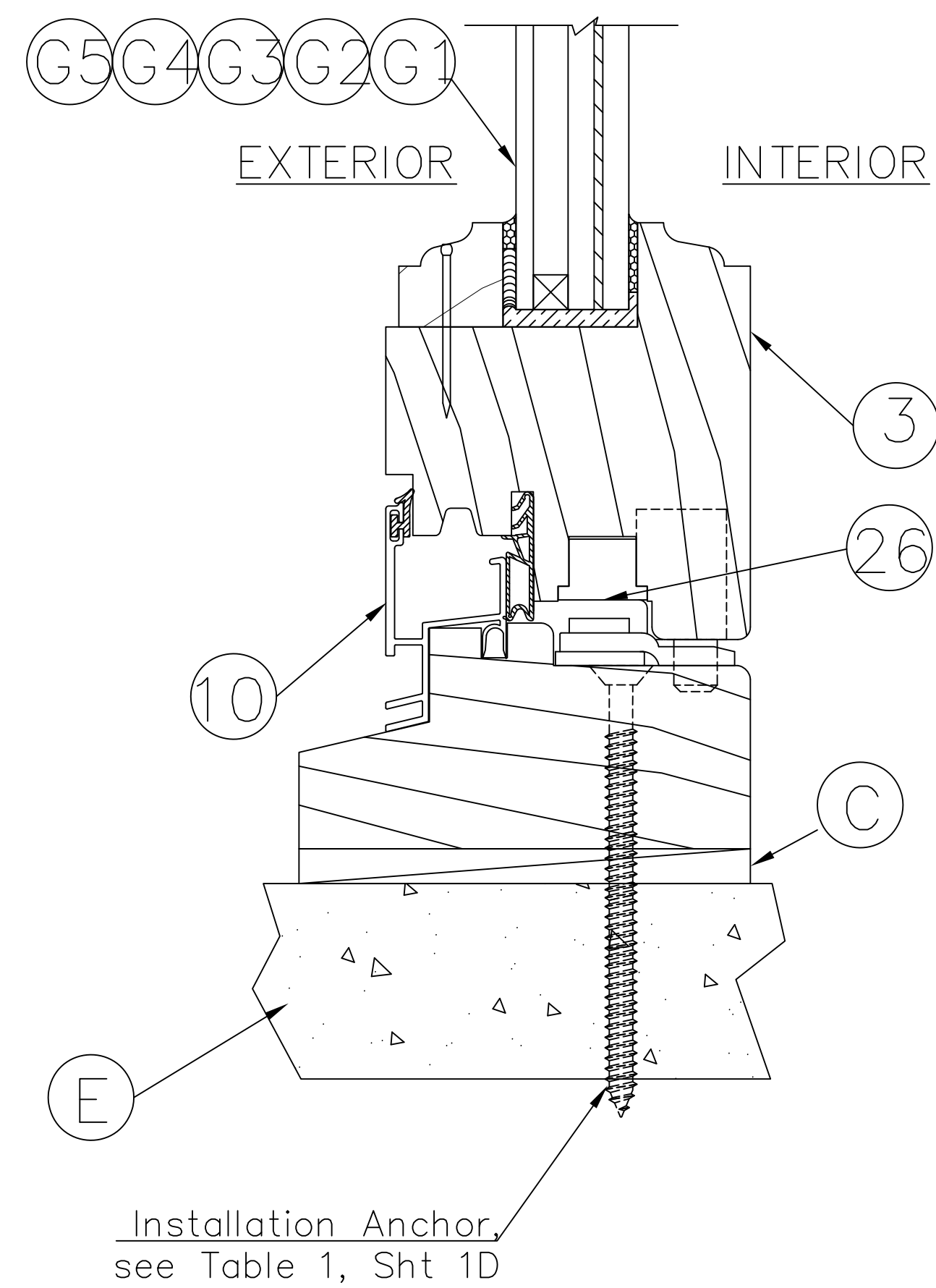
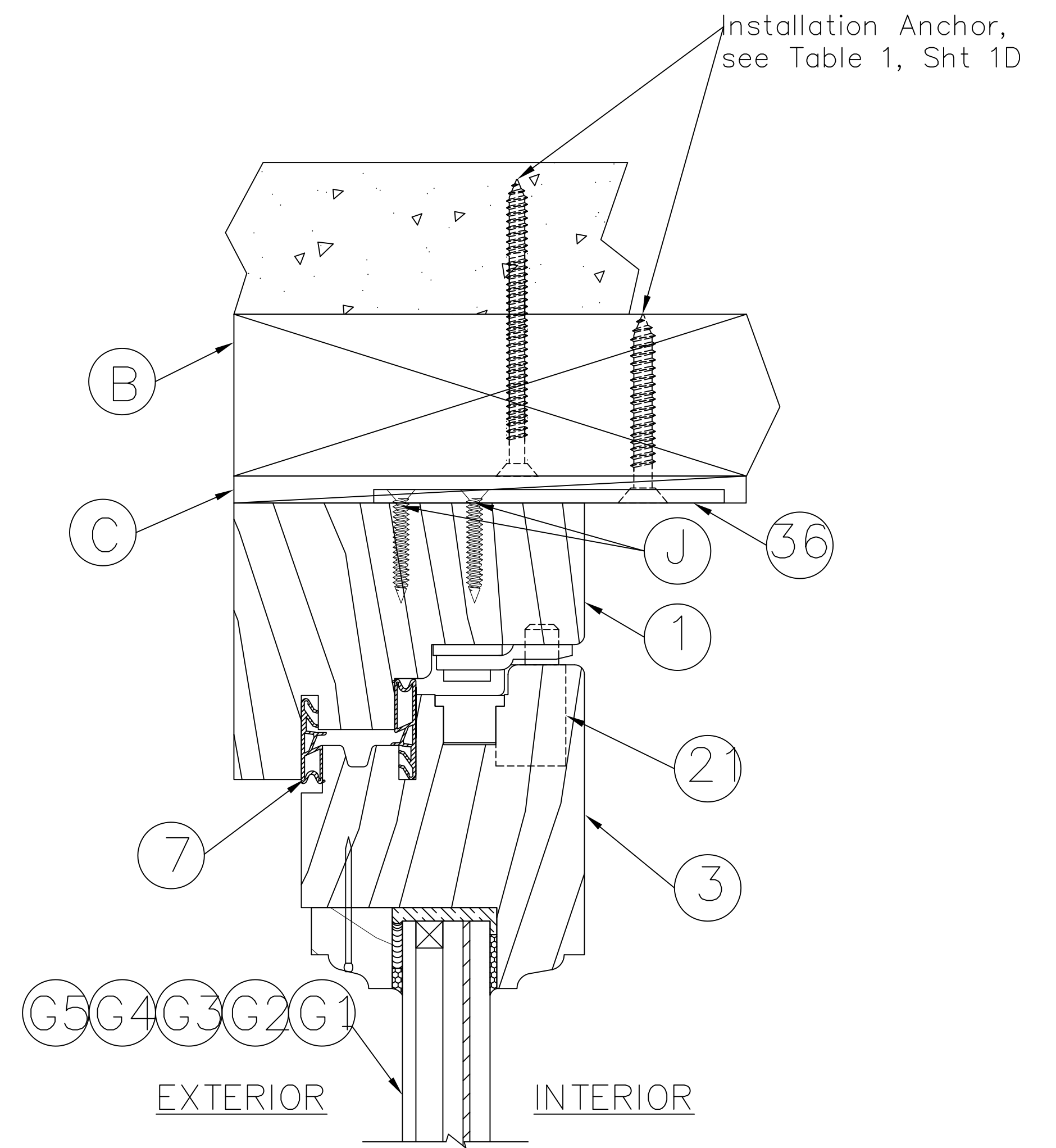
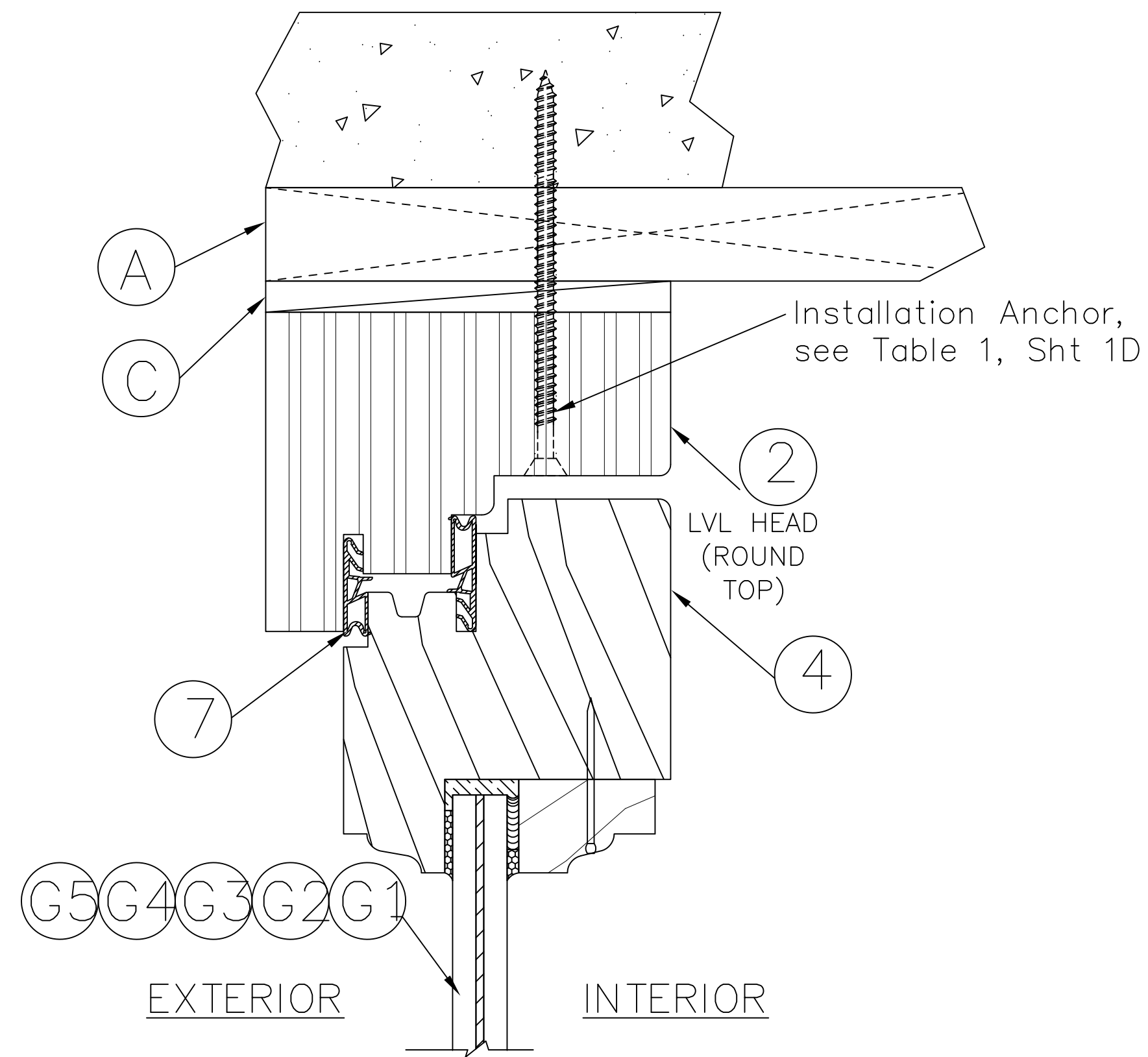
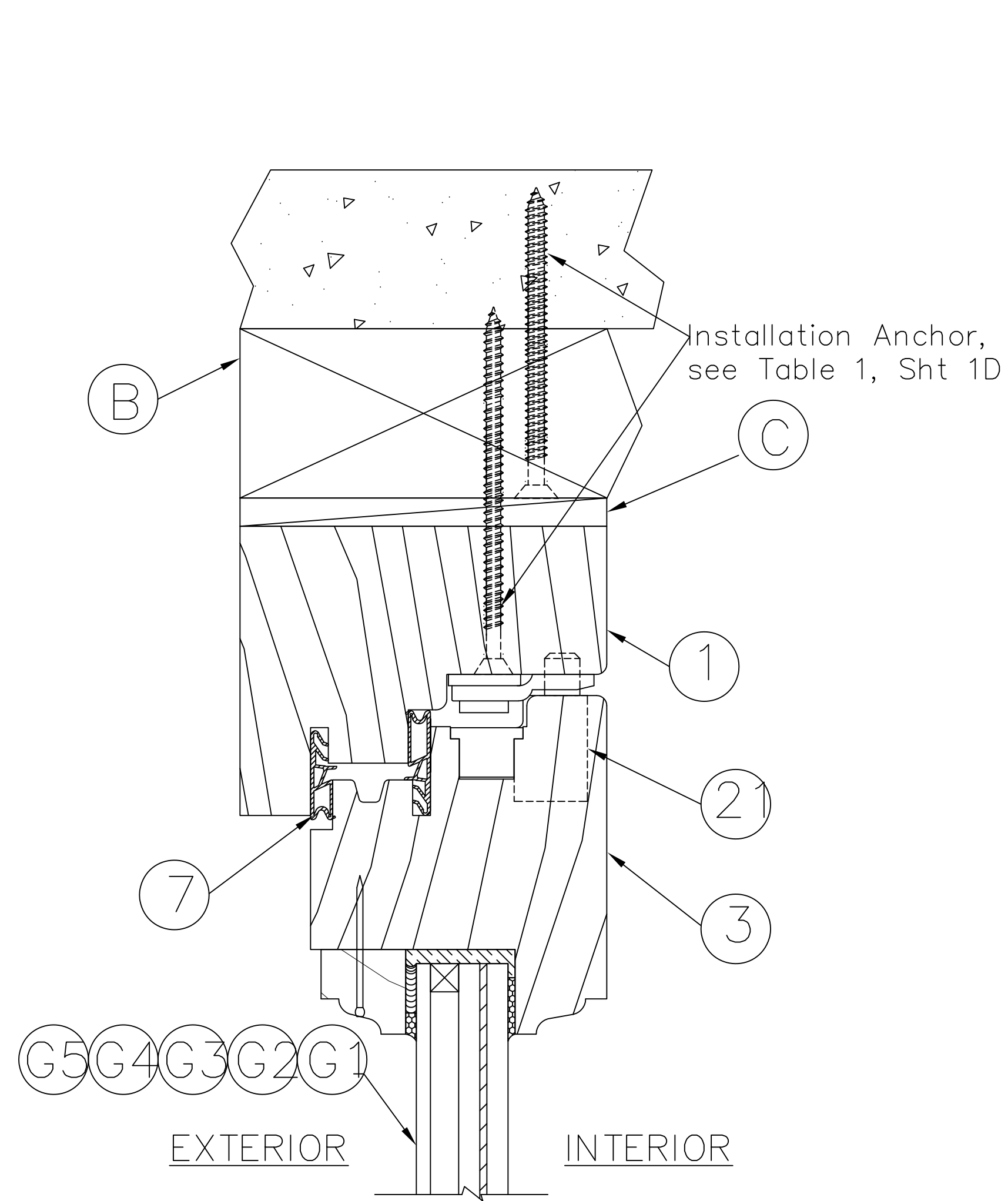
Product: WOOD INSWING / TILT-TURN CASEMENT WINDOW

HORIZONTAL  
CROSS SECTIONS

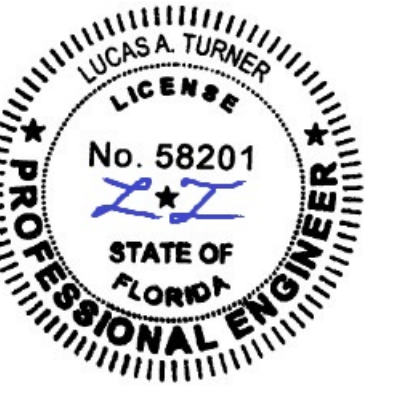
Date: 10-5-15  
Scale: None  
Drawn: JDS

Dwg: CA-TT  
FL34942.2  
Sheet No.  
2D OF 6





NOTE: GLAZING DETAIL A OR B MAY BE USED FOR ALL DETAILS



12/18/2020

TE&C  
 LUCAS A. TURNER, P.E. FL PE 58201  
 TURNER ENGINEERING & CONSULTING, INC.  
 FBPE COA #29779 PH. 941-380-1574  
 2428 OLD NACHEZ TRACE TRAIL  
 CAMDEN, TN 38320

OWW LLC  
 3001 Tuxedo Ave., West Palm Beach, FL 33405  
 Ph. 561-478-7233 Fax 561-478-7858

Product: WOOD INSWING / TILT-TURN CASEMENT WINDOW

VERTICAL CROSS SECTIONS

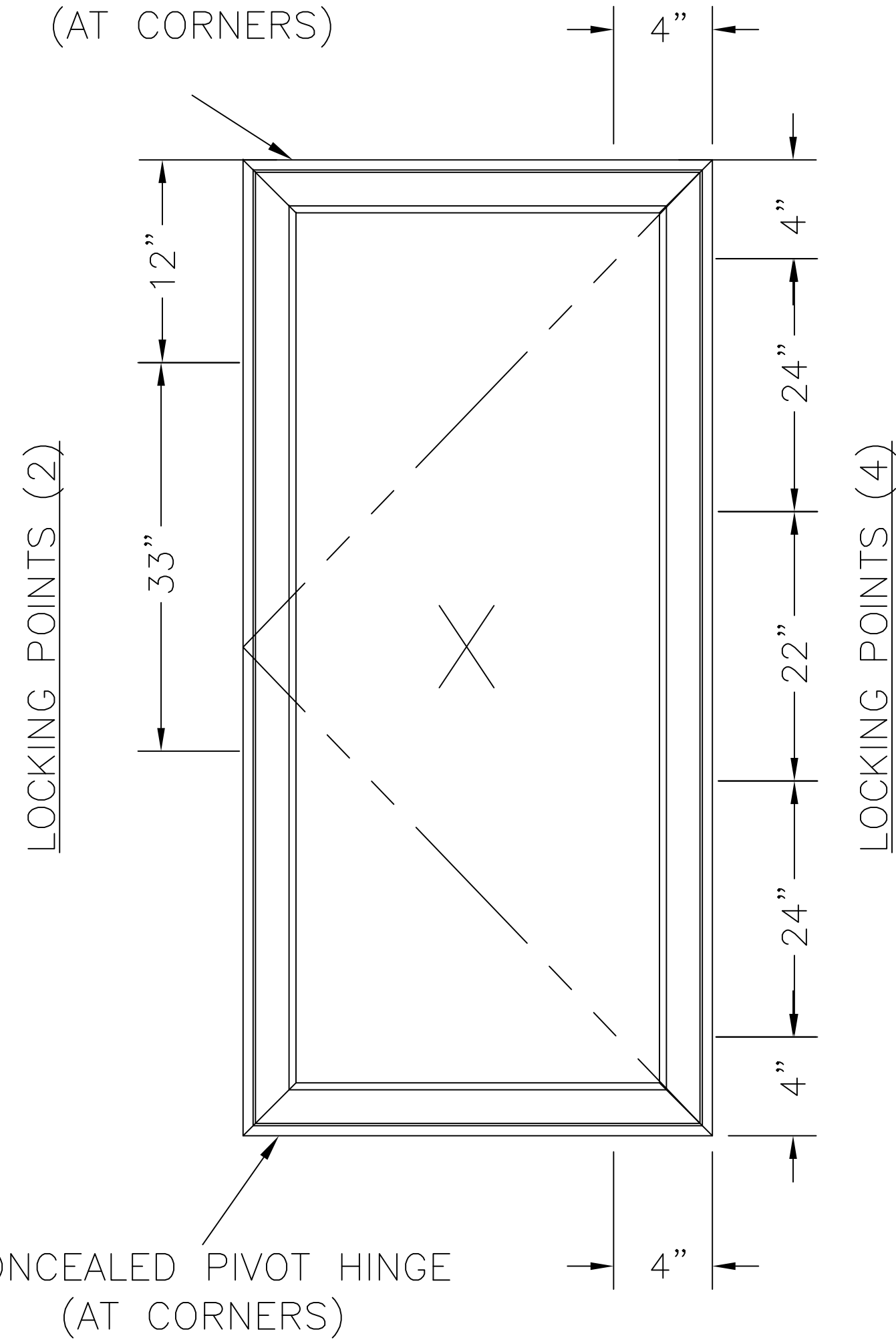
Date: 10-5-15  
 Scale: None  
 Drawn: JDS

Dwg: CA-TT

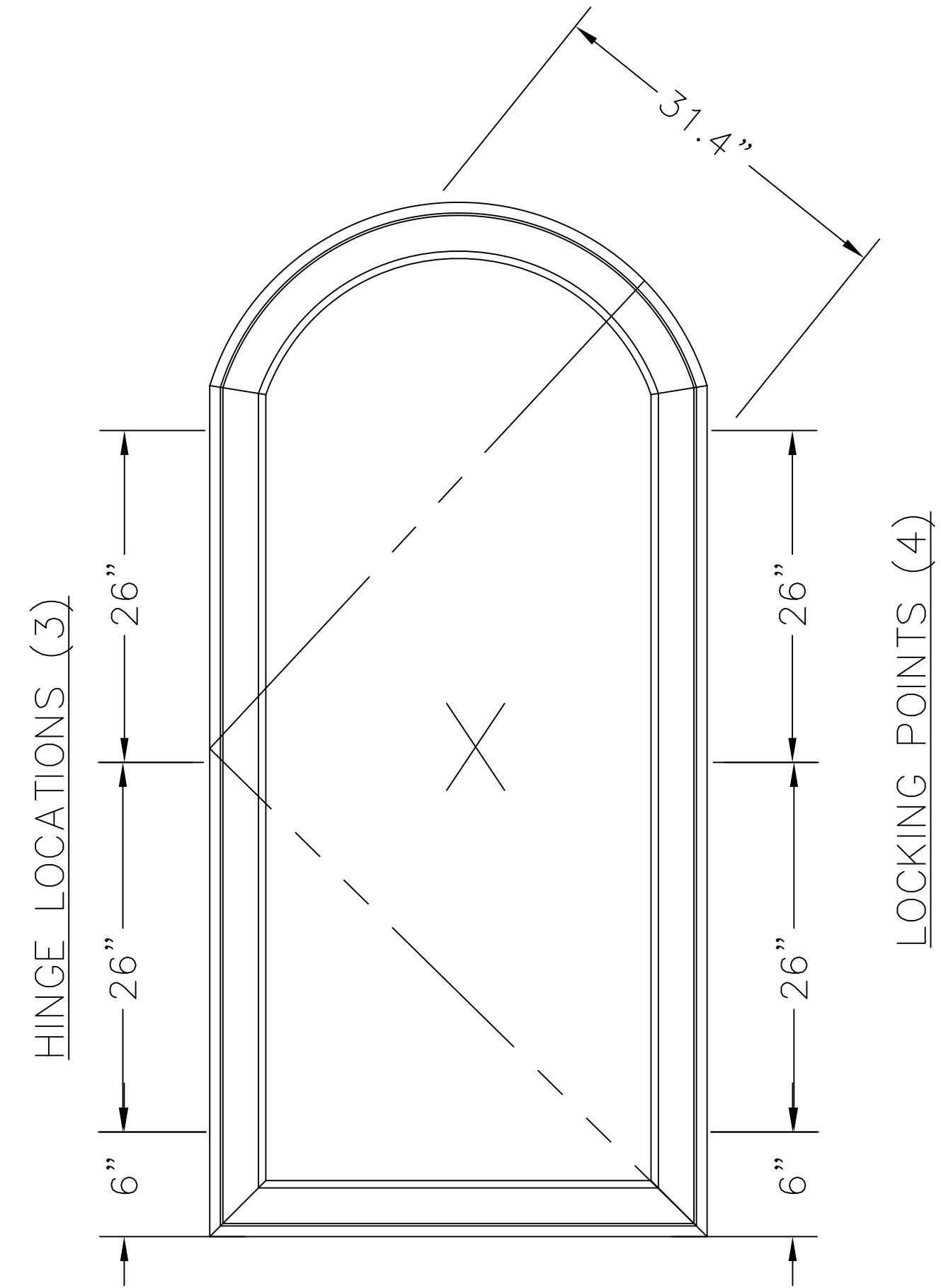
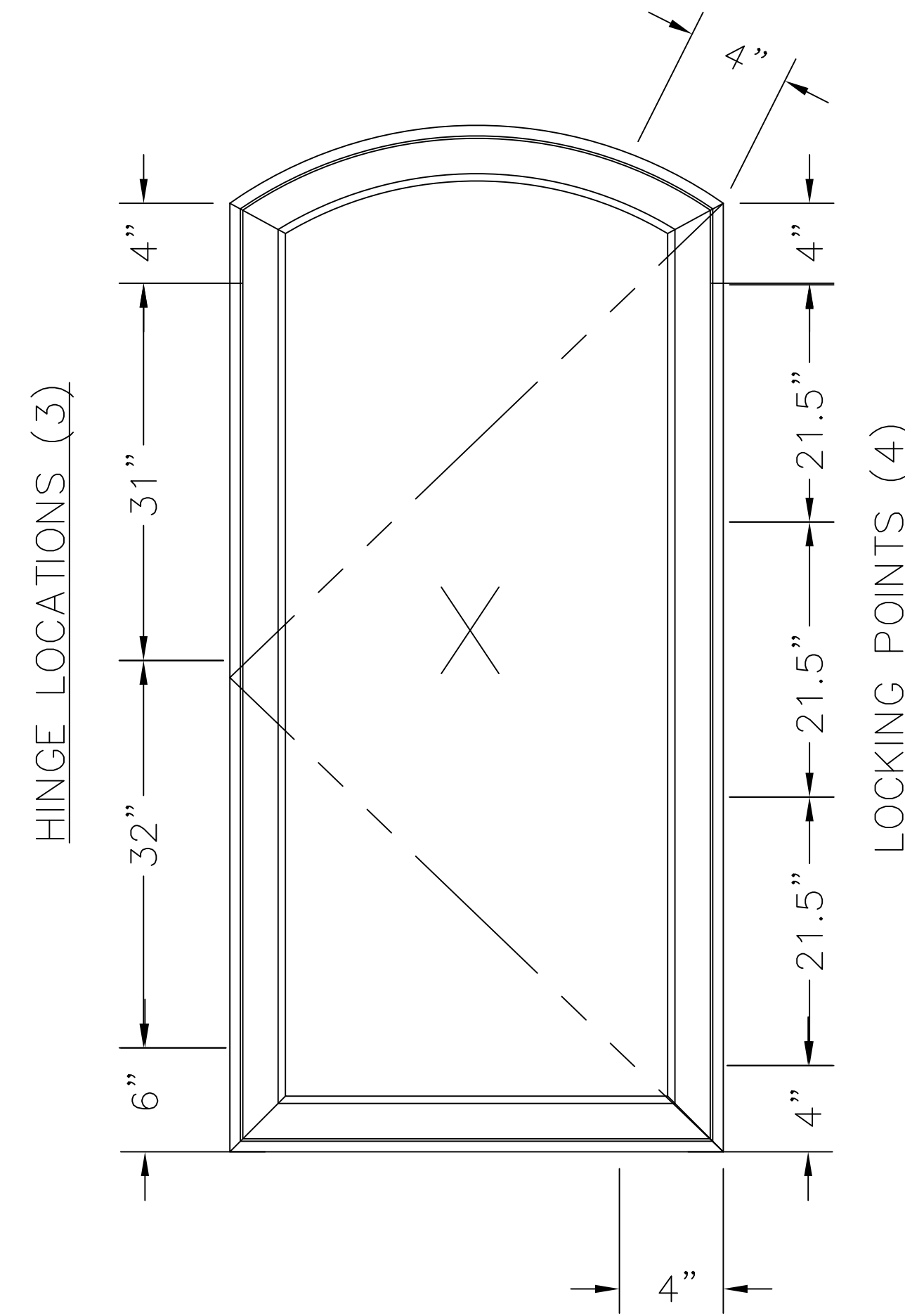
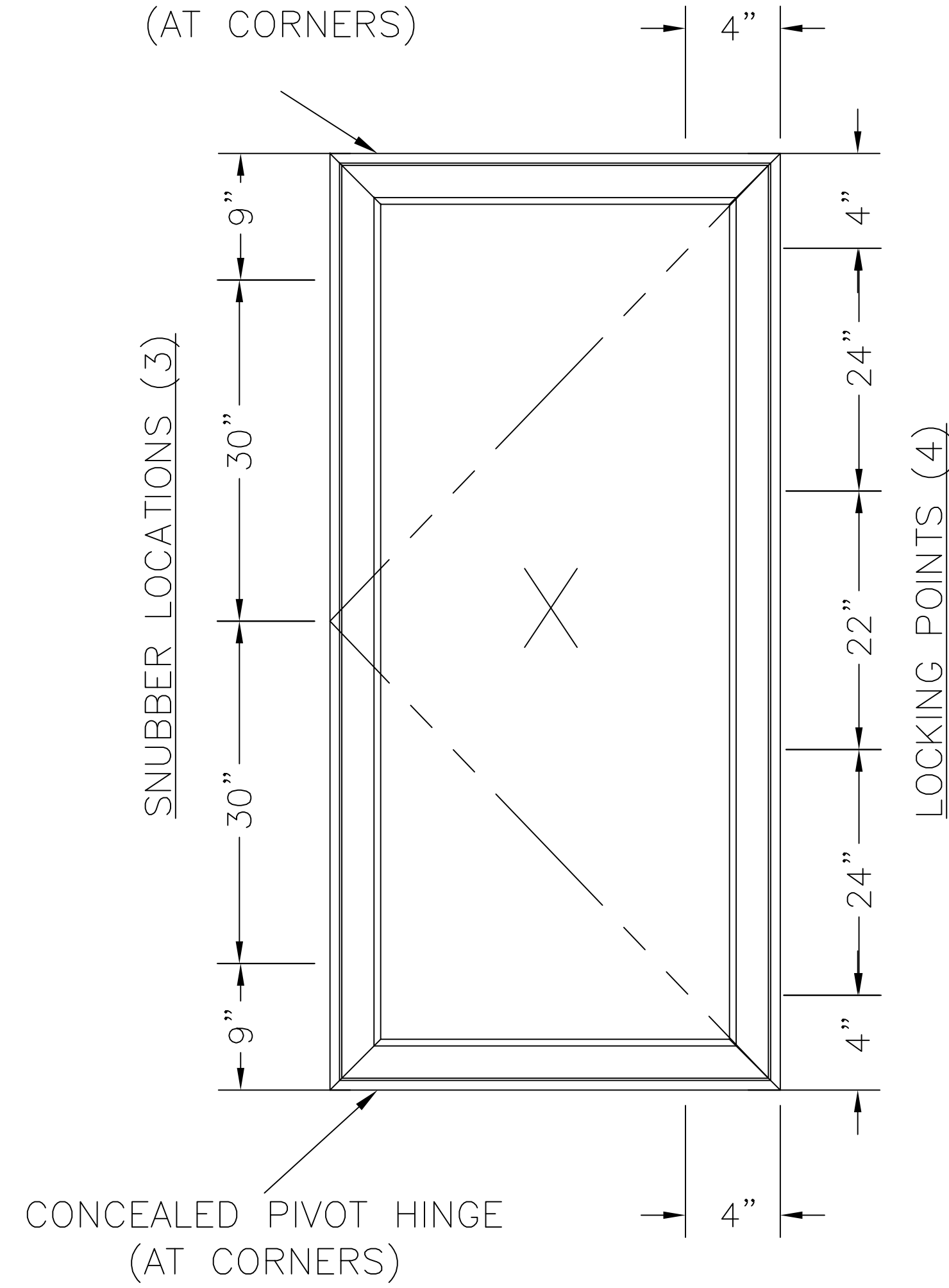
FL34942.2

Sheet No.  
 3D OF 6

CONCEALED PIVOT HINGE  
(AT CORNERS)



CONCEALED PIVOT HINGE  
(AT CORNERS)



HARDWARE (TILT-TURN)

DESCRIPTION	QTY.	MANUFACTURER
MULTI-POINT LOCK	1	GU CONTURA
CONCEALED HINGES	2	GU CONTURA

HARDWARE

DESCRIPTION	QTY.	MANUFACTURER
MULTI-POINT LOCK	1	GU (CONTURA)
CONCEALED HINGES	2	GU (CONTURA)
SNUBBERS	3	GU

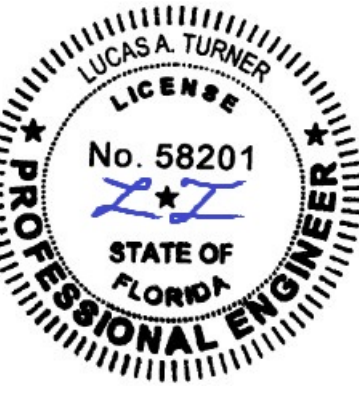
HARDWARE

DESCRIPTION	QTY.	MANUFACTURER
MULTI-POINT LOCK	1	SEGENIA (FAVORIT-312)
CONCEALED HINGES	3	SOSS (#212)

HARDWARE

DESCRIPTION	QTY.	MANUFACTURER
MULTI-POINT LOCK	1	GU (CONTURA)
3.5"X3.5" BUTT HINGES	3	McKINNEY

HARDWARE OPTIONS



12/18/2020

TE&C  
LUCAS A. TURNER, P.E. FL PE 58201  
TURNER ENGINEERING & CONSULTING, INC.  
FBPE COA #29779 PH. 941-380-1574  
2428 OLD NACHEZ TRACE TRAIL  
CAMDEN, TN 38320

OWW LLC  
3001 Tuxedo Ave., West Palm Beach, FL 33405  
Ph. 561-478-7233 Fax 561-478-7858

Product: WOOD INSWING / TILT-TURN CASEMENT WINDOW

HARDWARE DETAILS

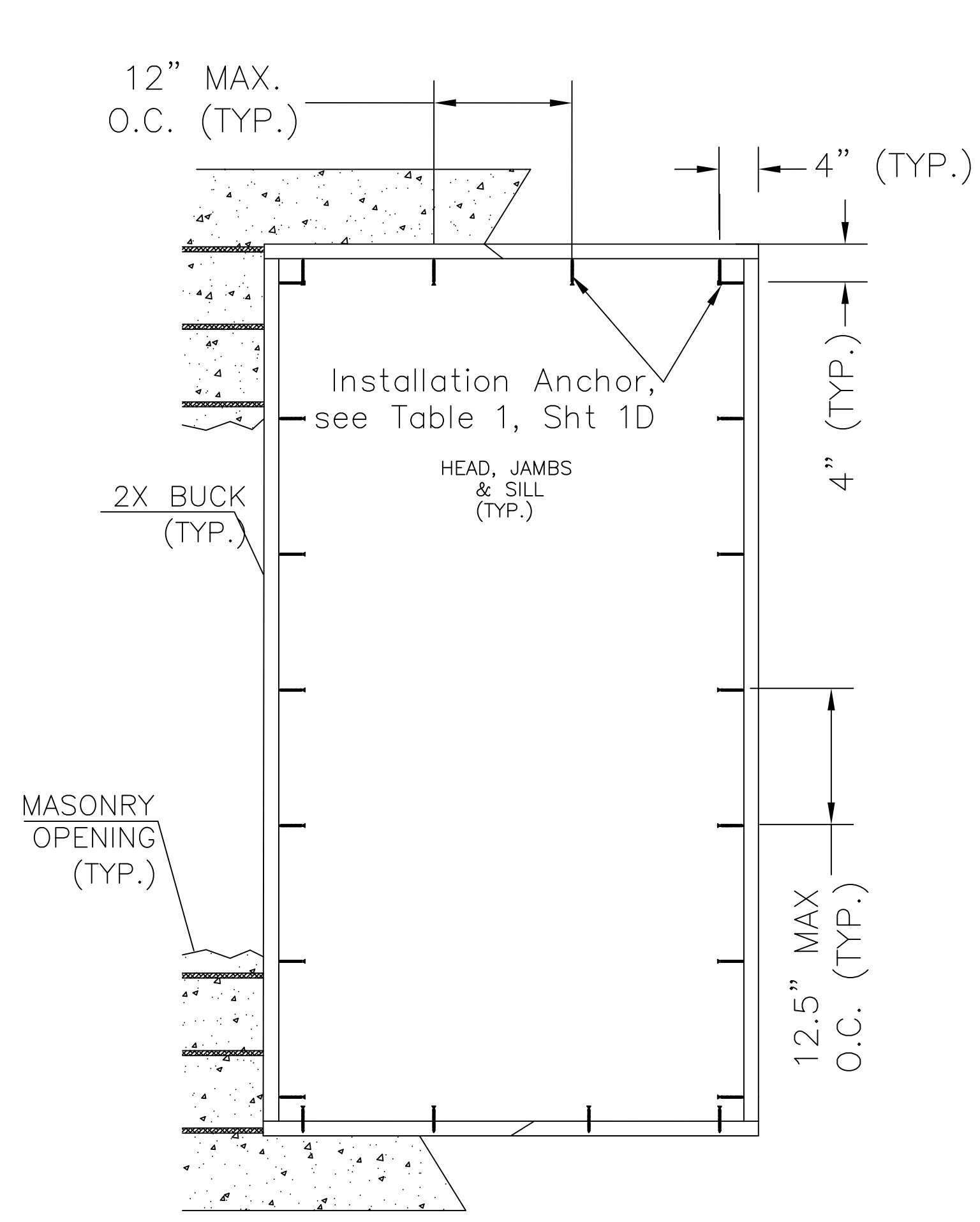
Date: 10-5-15  
Scale: None  
Drawn: JDS

Dwg: CA-TT

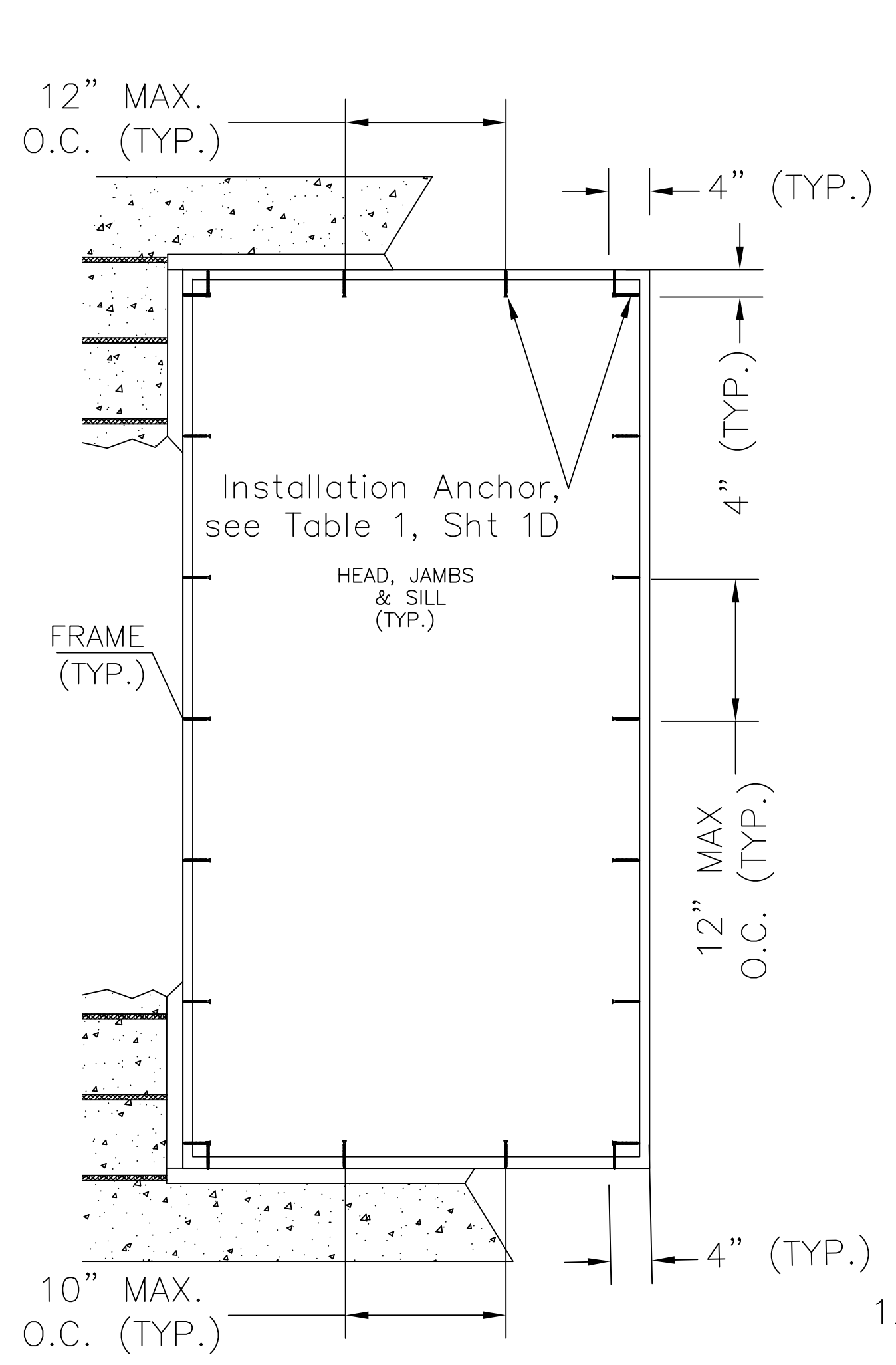
FL34942.2

Sheet No.  
4D OF 6

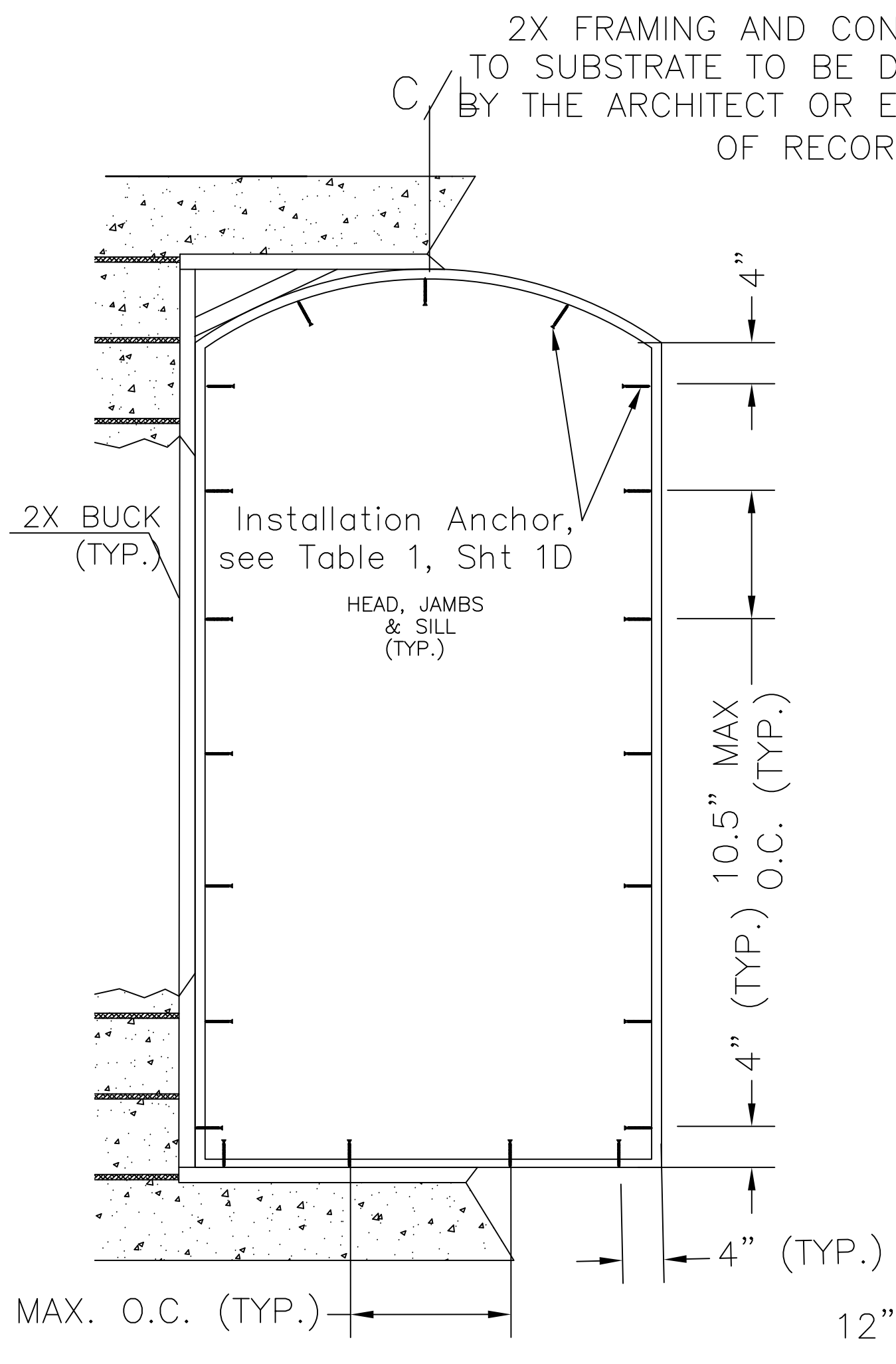




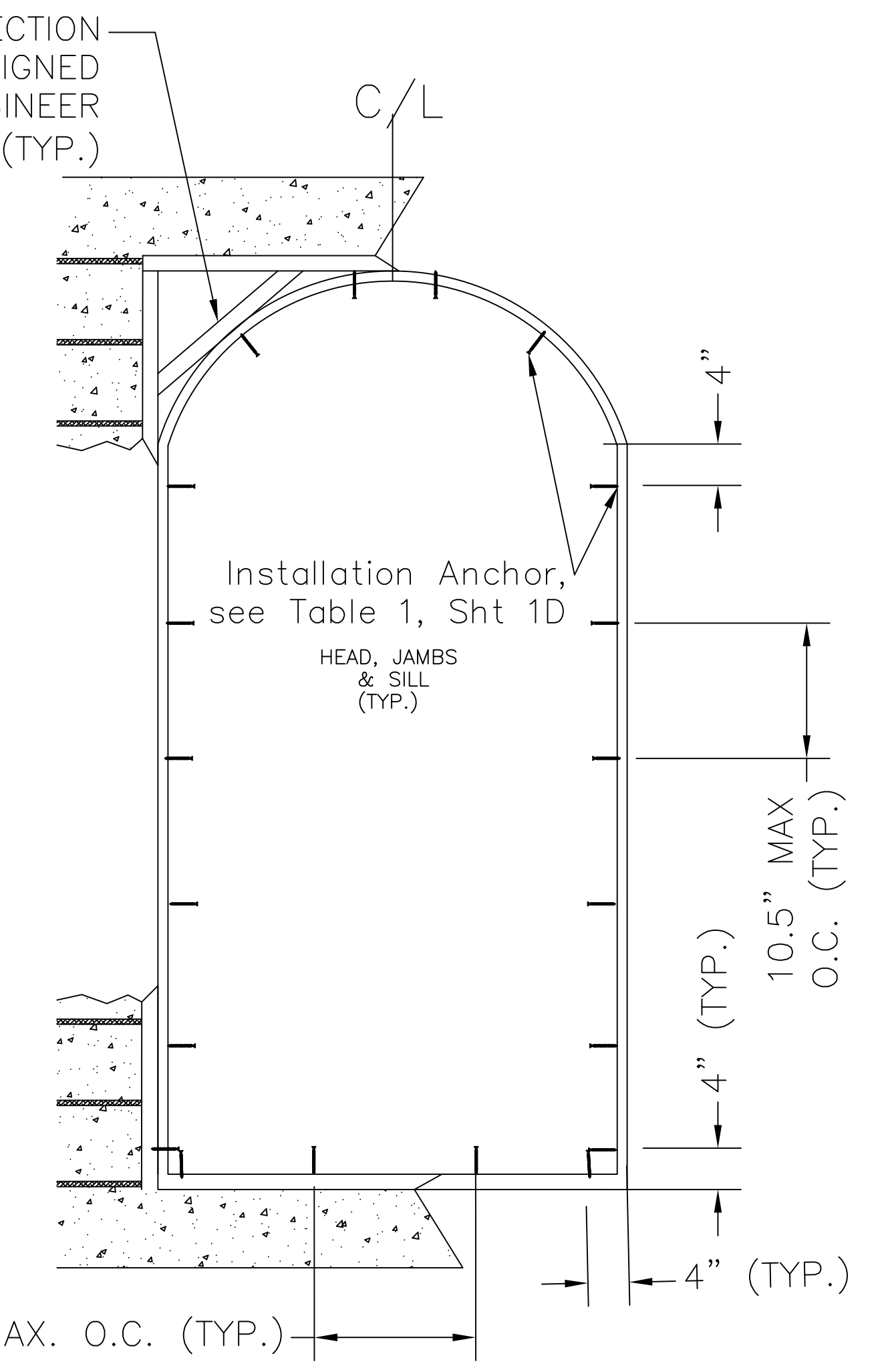
FRAME ANCHORING  
Masonry construction



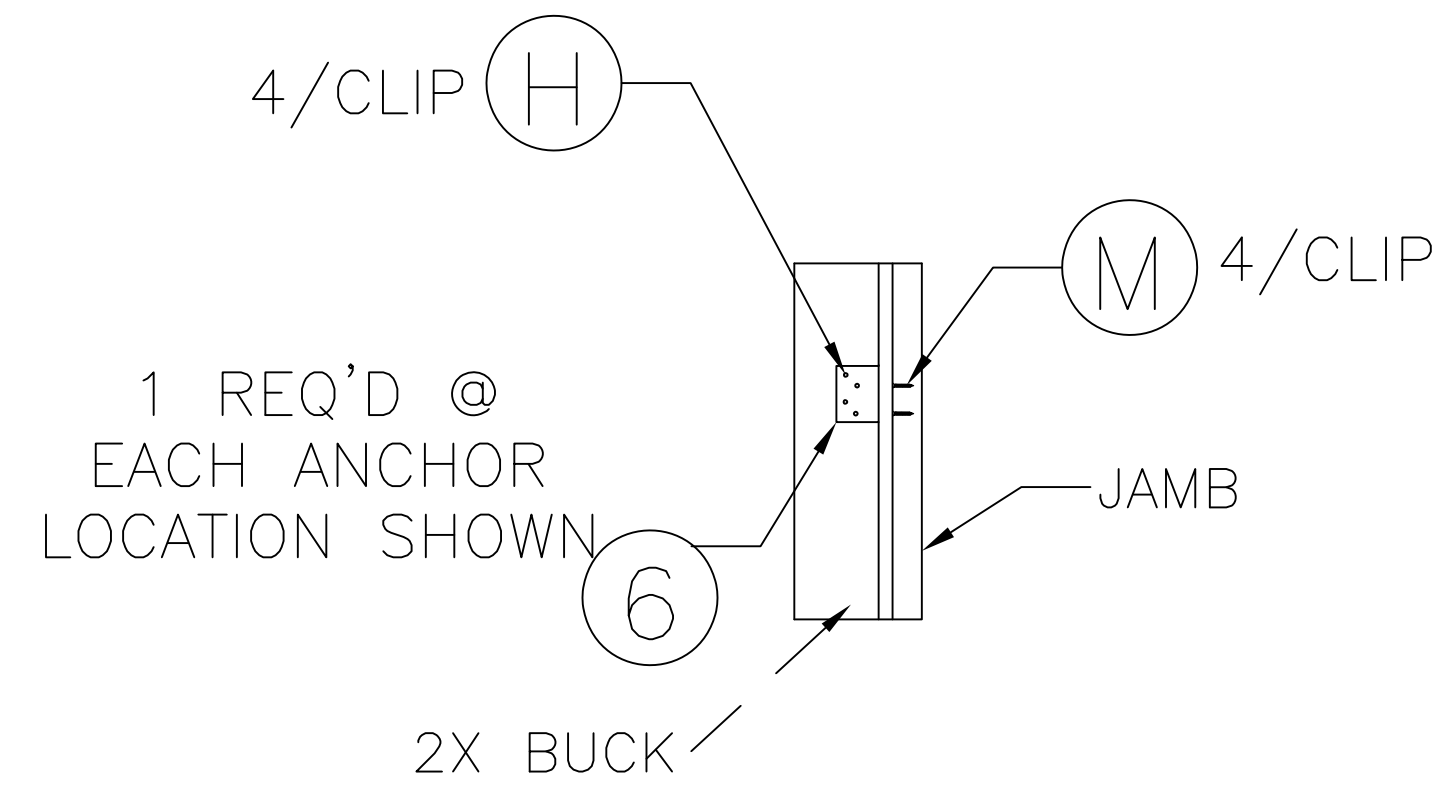
FRAME ANCHORING  
Rectangular



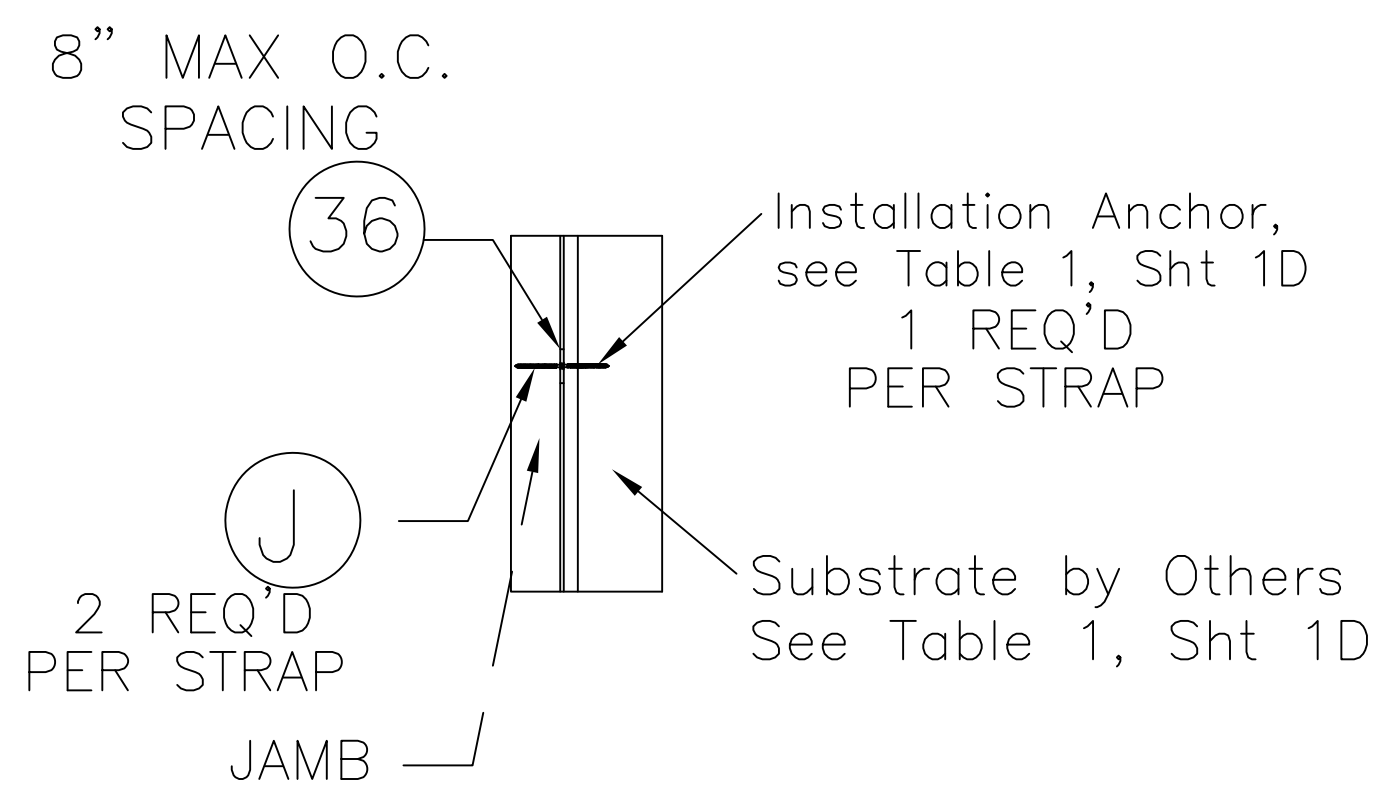
FRAME ANCHORING  
Arch Top



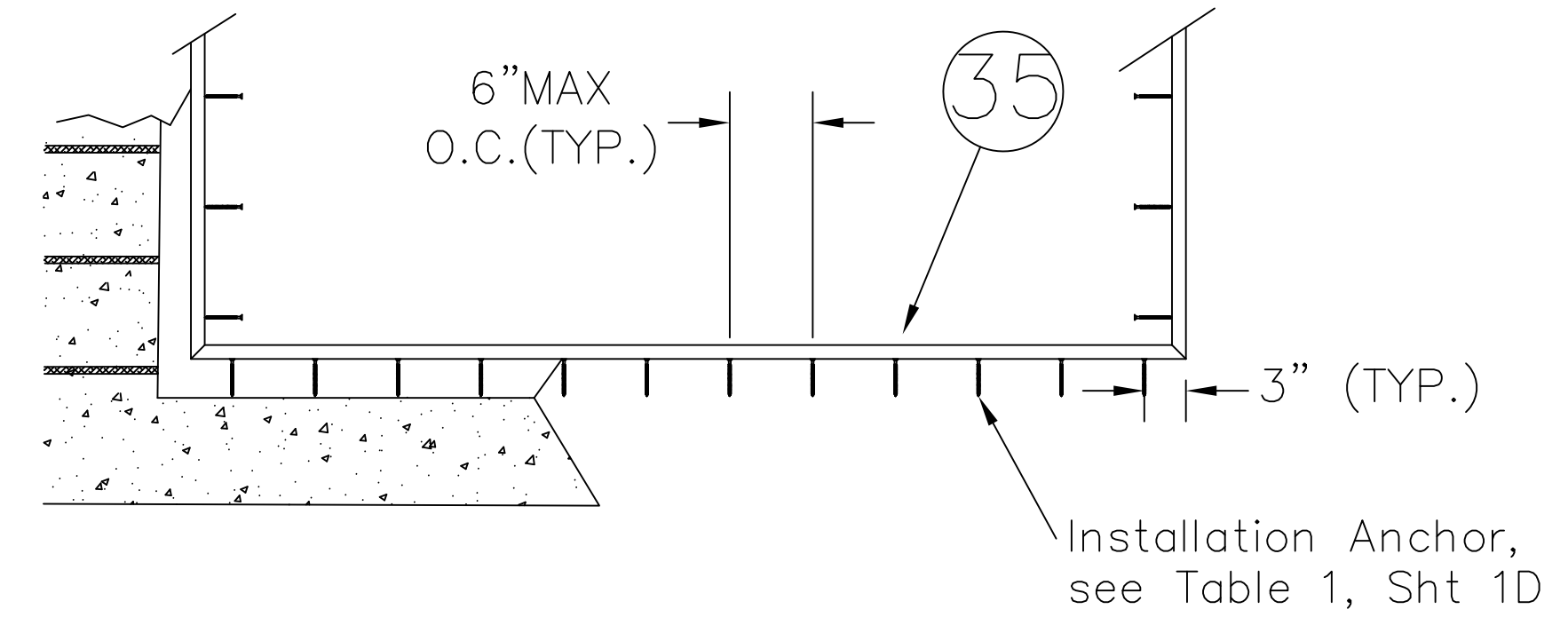
FRAME ANCHORING  
Round Top



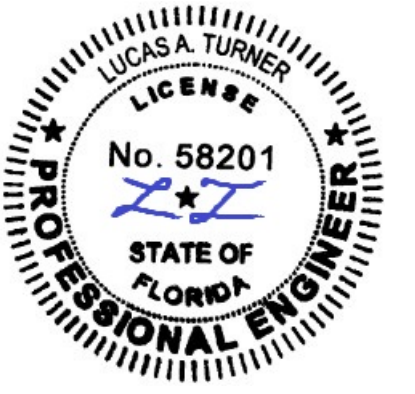
ANCHOR CLIP DETAIL



ALTERNATE STEEL STRAP ANCHORING



ALTERNATE ALUMINUM SILL ANCHORING



12/18/2020

TE&C  
LUCAS A. TURNER, P.E. FL PE 58201  
TURNER ENGINEERING & CONSULTING, INC.  
FBPE COA #29779 PH. 941-380-1574  
2428 OLD NACHEZ TRACE TRAIL  
CAMDEN, TN 38320

OWW LLC  
3001 Tuxedo Ave., West Palm Beach, FL 33405  
Ph. 561-478-7233 Fax 561-478-7858

Product: WOOD INSWING / TILT-TURN CASEMENT WINDOW

BUCK & FRAME ANCHORING

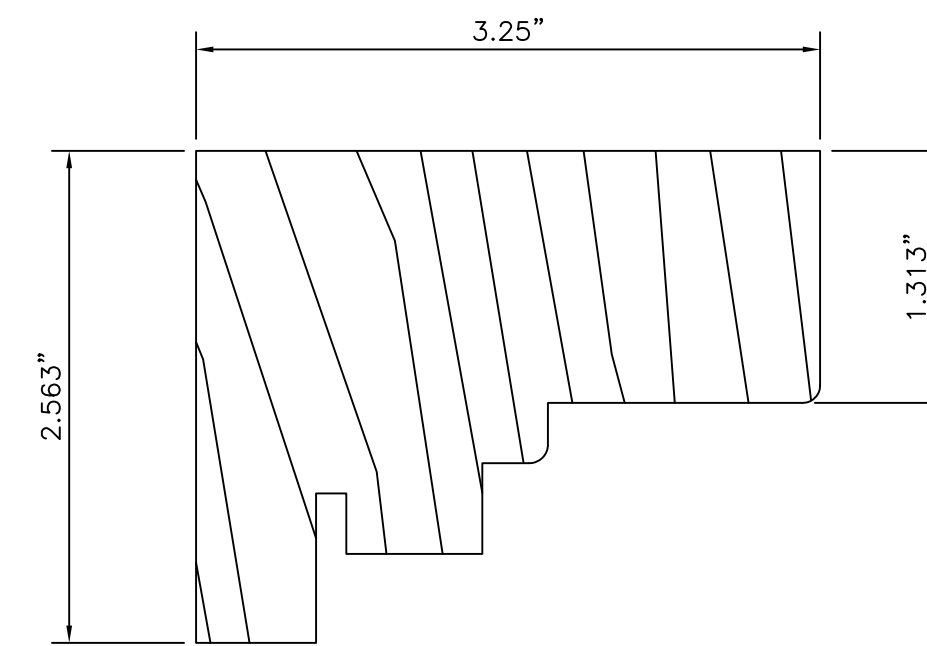
Date: 10-5-15  
Scale: None  
Drawn: JDS

Dwg: CA-TT  
FL34942.2  
Sheet No.  
5D OF 6

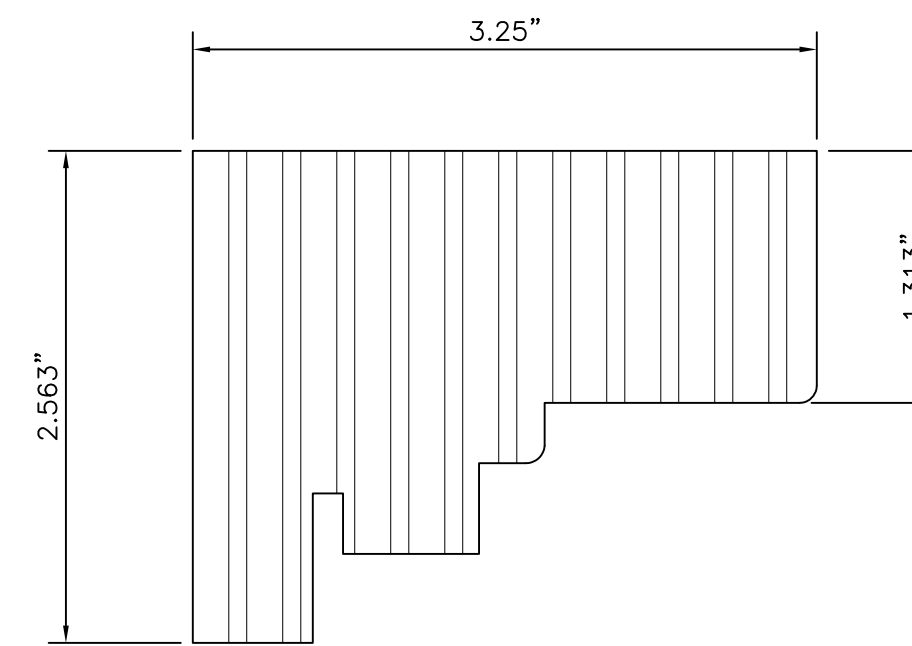
BILL OF MATERIALS

TEM #	DESCRIPTION	MATERIAL
A	1X BUCK (SG>=0.55)	WOOD
B	2X BUCK (SG>=0.55)	WOOD
C	1/4" MAX.SHIM SPACE	-
E	MASONARY - 3,000 PSI MIN. CONCRETE CONFORMING TO ACI 301 OR HOLLOW BLOCK CONFORMING TO ASTM C90	CONCRETE
H	#8 X 1-1/2" PFH WOOD SCREW	STEEL
J	#10 X 1-1/2" PFH WOOD SCREW	STEEL
M	#8 X 3/4" PPH SMS	STEEL
1	FRAME	WOOD
2	FRAME	LVL
3	SASH - OUTSIDE GLAZING BEAD	WOOD
3	SASH - INSIDE GLAZING BEAD	WOOD
4	GLAZING BEAD (I.G.)	WOOD
5	GLAZING BEAD (MONO.)	WOOD
6	ANCHOR BRACKET (SIMPSON STRONG-TIE A23Z)	STEEL
7	WEATHERSTRIP (GU ACF 6950)	-
8	WEATHERSTRIP (SEALMAX TIMBERSEAL)	-
10	DRAINAGE CHANNEL (2090 SERIES)	ALUM
18	3.5" X 3.5" BUTT HINGE	STEEL
19	#10 X 1" PFH WOOD SCREWS	STEEL
21	MULTI-POINT LOCK (GU CONTURA)	-
22	MULTI-POINT LOCK (SEGENIA FAVORIT-312)	-
24	SNUBBERS (GU)	STEEL
26	CONCEALED PIVOT HINGE (GU)	STEEL
35	ALUMINUM SILL ANCHOR	ALUM
36	STEEL ANCHOR STRIP	STEEL

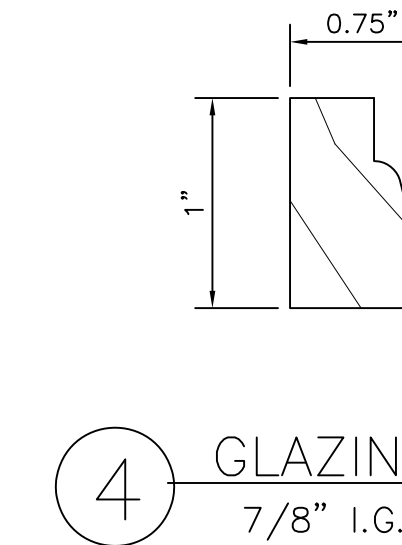
NOTE: ALL WINDOW FRAME WOOD: MAHOGANY (MIN. SG=0.50)



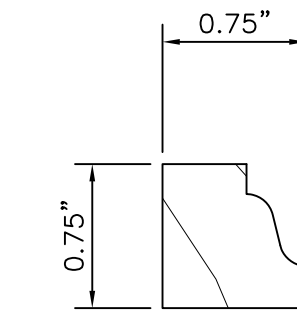
1 FRAME



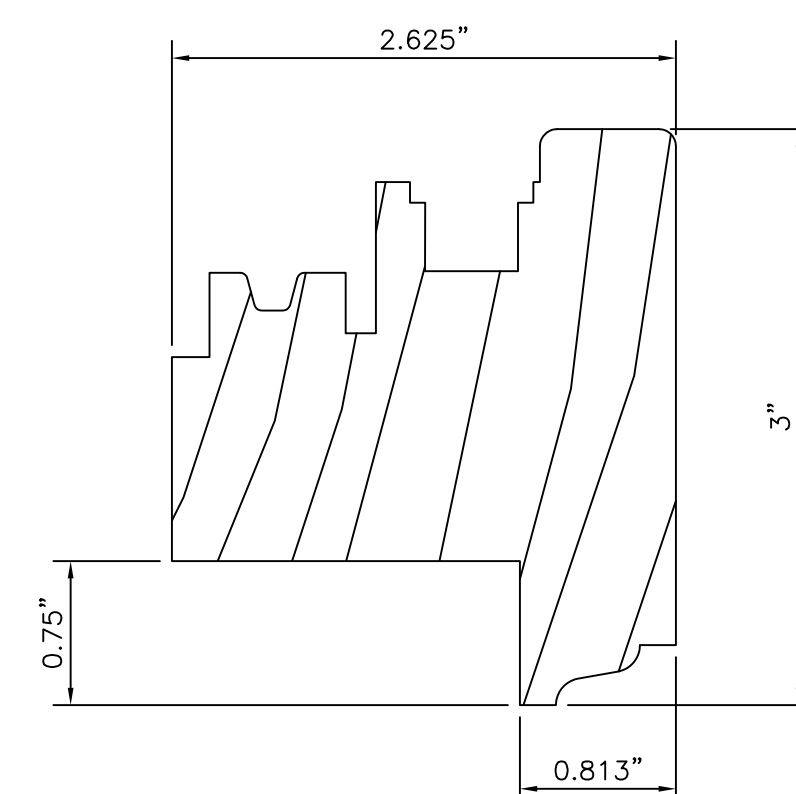
2 FRAME



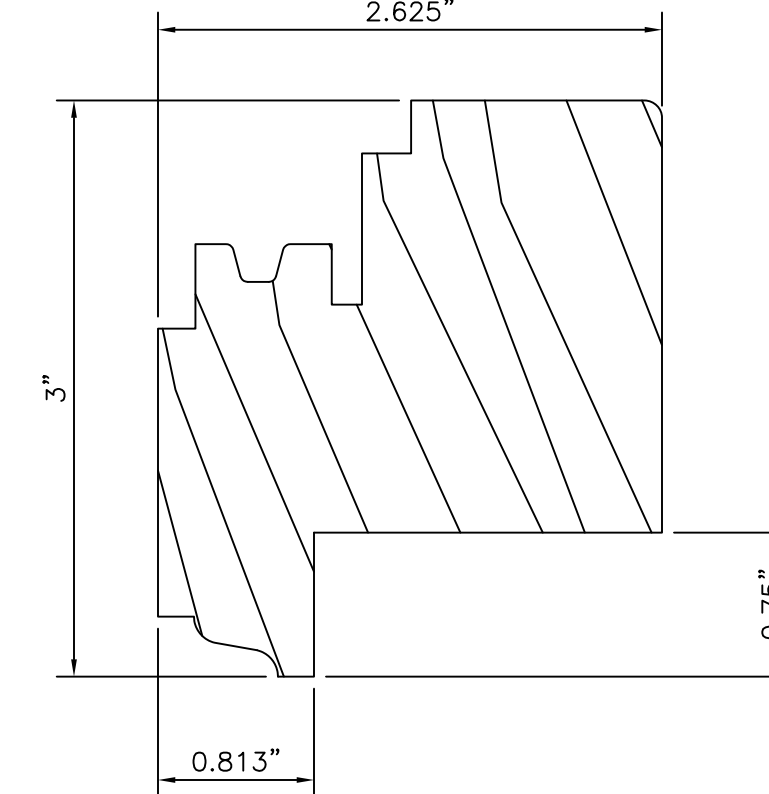
4 GLAZING BEAD  
7/8" I.G.



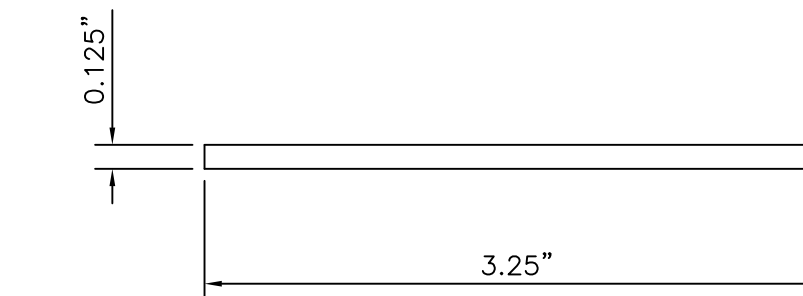
5 GLAZING BEAD  
7/16" MONO.



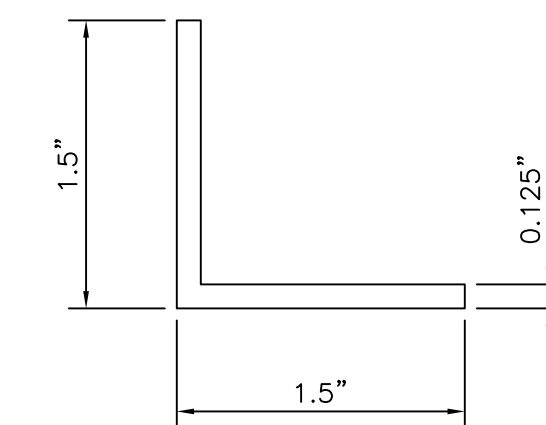
3 SASH - OUTSIDE GLAZING BEAD



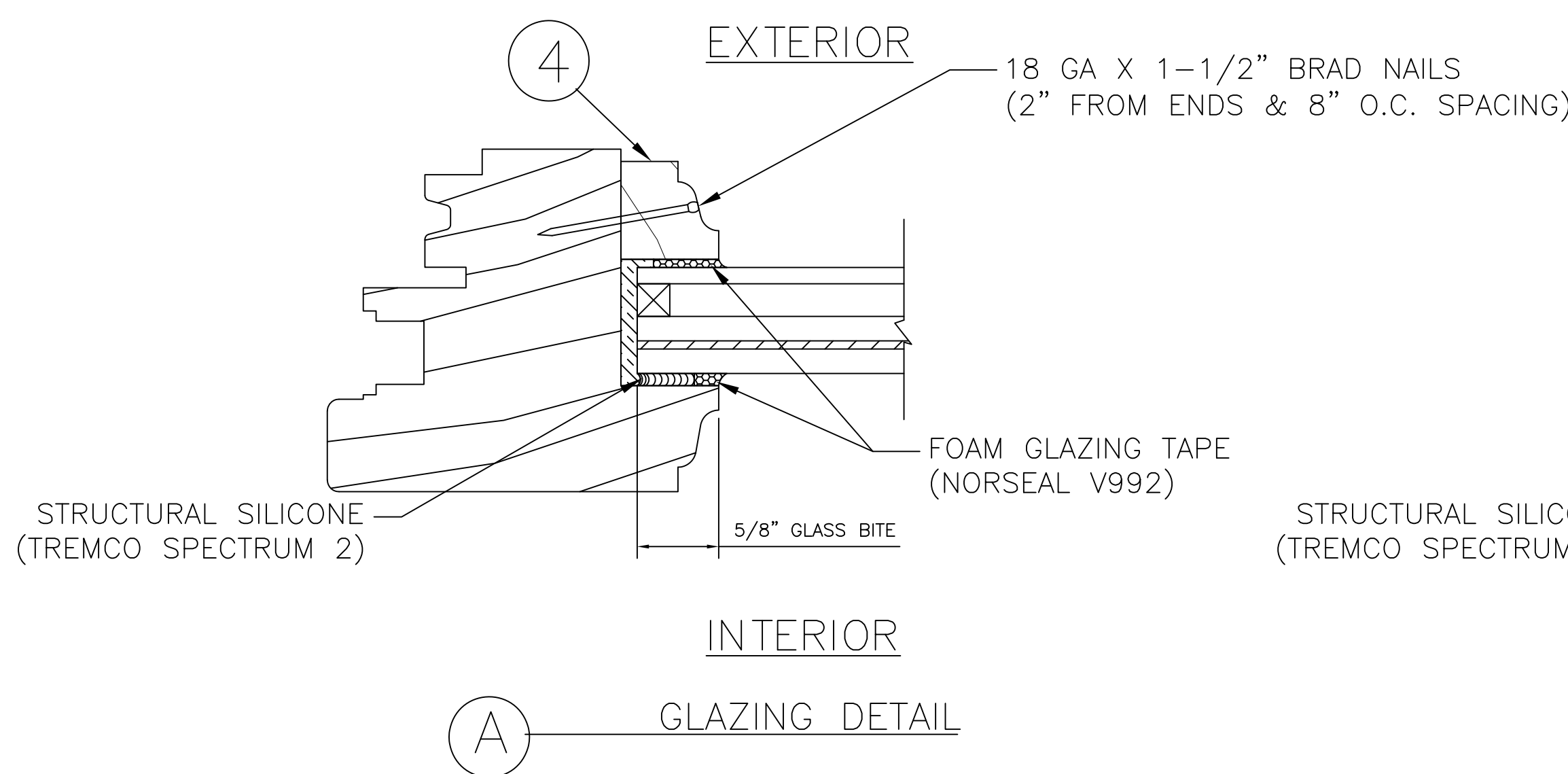
3A SASH - INSIDE GLAZING BEAD



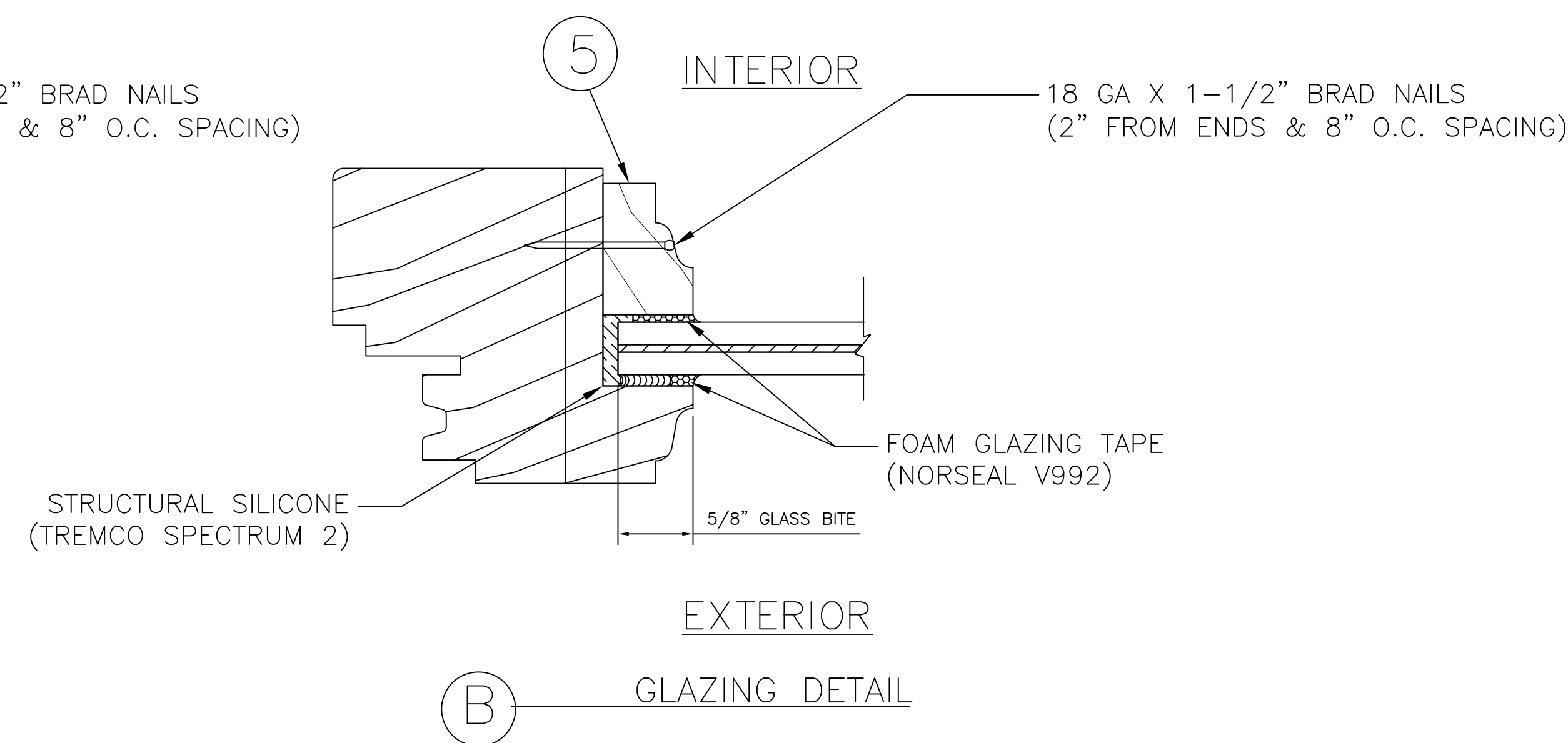
36 STEEL ANCHOR STRIP  
1.25" Wide



35 ALUMINUM ANCHOR  
Full Length



A GLAZING DETAIL



B GLAZING DETAIL

GLASS TYPES AND STRUCTURE

- A 15/16" (NOM.) LAMINATED INSULATING GLASS  
1/8" EXTERIOR HEAT STRENGTHENED (IN HVHZ, ALLOWED ONLY WITHIN 30 FT OF GRADE) OR FULLY TEMPERED /  
1/4" AIR SPACE WITH ALUMINUM SPACER /  
3/16" ANNEALED  
.075" INTERLAYER: SAFLEX CP BY EASTMAN CHEMICAL COMPANY /  
3/16" ANNEALED
- B 7/16" (NOM.) STORM GLASS  
3/16" HEAT STRENGTHENED /  
.075" INTERLAYER: SAFLEX CP BY EASTMAN CHEMICAL COMPANY /  
3/16" HEAT STRENGTHENED



12/18/2020

TE&C  
LUCAS A. TURNER, P.E. FL PE 58201  
TURNER ENGINEERING & CONSULTING, INC.  
FBPE COA #29779 PH. 941-380-1574  
2428 OLD NATCHEZ TRACE TRAIL  
CAMDEN, TN 38320

OWW LLC  
3001 Tuxedo Ave., West Palm Beach, FL 33405  
Ph. 561-478-7233 Fax 561-478-7858

Product: WOOD INSWING / TILT-TURN CASEMENT WINDOW  
Date: 10-5-15  
Scale: None  
Drawn: JDS  
BILL OF MATERIALS, COMPONENTS & GLAZING DETAILS

Dwg: CA-TT  
FL34942.2  
Sheet No.  
6D OF 6