

SERIES 4500
 ARCH DOUBLE HUNG WINDOW – BALANCE – "IMPACT"
 BY OWW LLC

DESIGN PRESSURE = VARIES – SEE CHART AT BOTTOM OF THIS SHEET

GENERAL NOTES

1. This product has been evaluated and is in compliance with 7th Edition (2020) Florida Building Code (FBC) structural requirements including the "High Velocity Hurricane Zone" (HVHZ).
2. Product anchors shall be as listed and spaced as shown on details. Anchor embedment to base materials shall be beyond wall dressing or stucco. All anchors used shall be of a material or have a coating compatible with pressure treated wood if used, and all other window materials.
3. When used in the "HVHZ" this product complies with Section 1626 of the FBC and does not require an impact resistant covering.
4. The opening substrate materials (framing, masonry, bucks) are by others and must be properly designed and installed to transfer superimposed loads to the structure. For 2X stud framing construction, anchoring of these units shall be the same as that shown for 2X buck masonry construction. Wood bucks over masonry, if used, shall be pressure treated, with either a treatment or coating compatible with this product and anchors.
5. All window frame wood to be Sapele (Specific Gravity = 0.55).
6. Site conditions that deviate from the details of this drawing require further engineering analysis by a licensed engineer or registered architect.
7. This product has been laboratory tested to meet the water infiltration requirements for "HVHZ." Sealing and flashing strategies for overall water infiltration resistance of the field-installed product shall be the responsibility of others and are not addressed by this document.

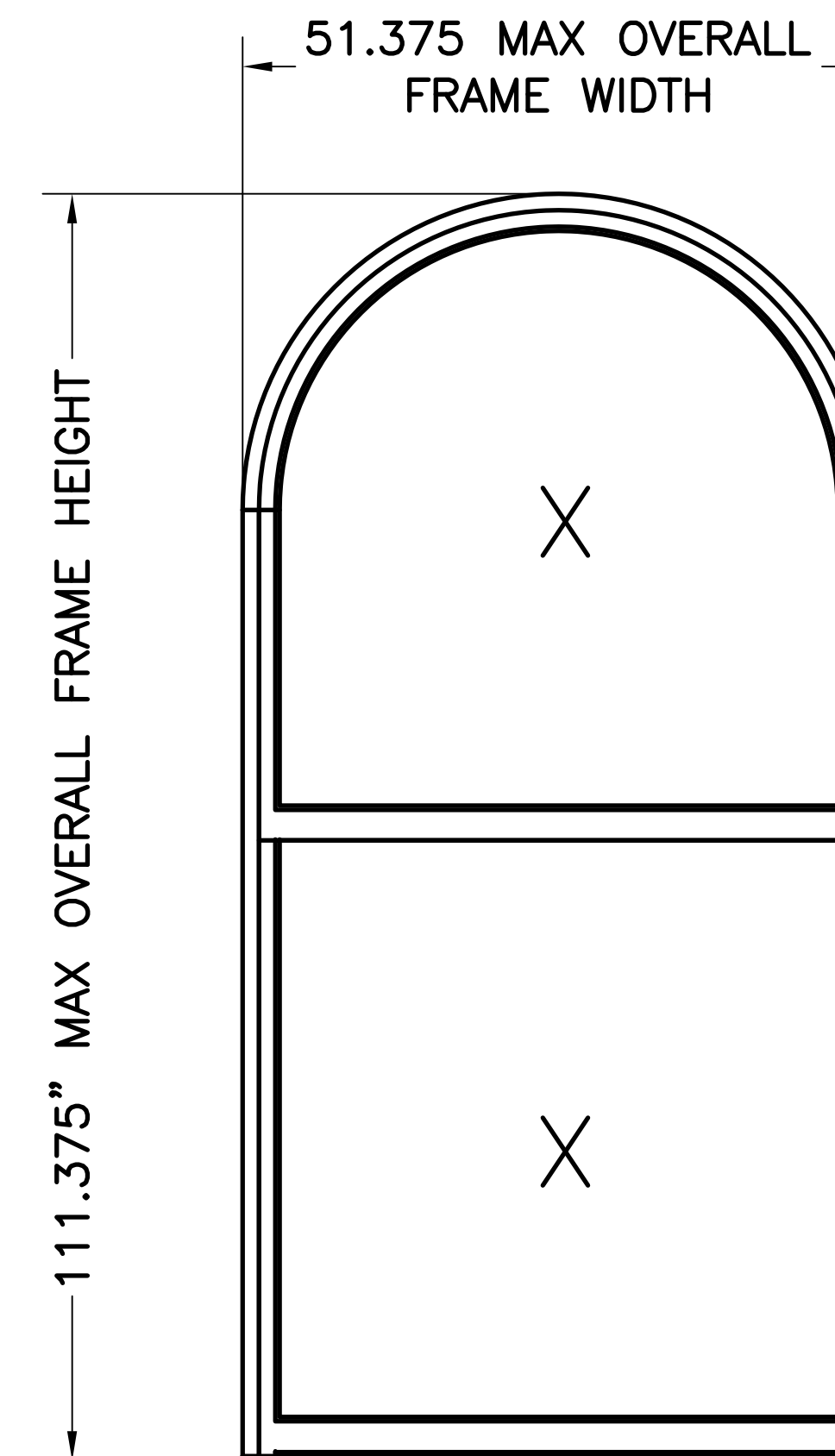


TABLE OF CONTENTS	
SHEET #	DESCRIPTION
1	Typical elevation, design pressures & general notes
2	Horizontal cross sections
3	Vertical cross sections
4	Frame details
5	Buck and frame anchoring
6	Components
7	Bill of materials, components & glazing details

TABLE 1. QUALIFIED ANCHOR INFORMATION

ID	SUBSTRATE	ANCHOR	MIN. EMBEDMENT	MIN. EDGE DISTANCE
A	SOLID UNCRACKED CONCRETE (2850 PSI MIN.)	1/4" ELCO COATED CARBON STEEL	1 3/8"	1"
B	GROUT-FILLED CMU (ASTM C-90) (JAMBS ONLY)	1/4" ELCO COATED CARBON STEEL	1 3/4"	2 1/2"
C	SOLID UNCRACKED CONCRETE (2000 PSI MIN.)	1/4" ITW COATED CARBON STEEL TAPCON	1 1/2"	1 1/2"
D	HOLLOW CMU (117 PCF MIN.) (JAMBS ONLY)	1/4" ITW COATED CARBON STEEL TAPCON	1"	2"
E	CONCRETE (3000 PSI MIN)	1/4" HILTI COATED CARBON STEEL OR STAINLESS STEEL KWIK-CON II	1"	2 1/2"
F	HOLLOW OR GROUT-FILLED CMU (ASTM C-90)	1/4" HILTI COATED CARBON STEEL OR STAINLESS STEEL KWIK-CON II	1"	2 1/2"
G	2x MIN. SOUTHERN PINE WOOD (G=0.55 MIN)	#12 GRADE 5 WOOD SCREW	1 1/2"	1"
H	16 GAUGE (0.060") MIN. STEEL STUD (33 KSI YIELD MIN.) OR 1/8" MIN. ALUMINUM (6063-T5)	#14 ITW TEKS SELF-DRILLING SCREW	FULL + 3 THREADS	1/2"

OVERALL FRAME DIMENSION	OVERALL D.L.O DIMENSION	GLASS TYPE	DESIGN PRESSURE (PSF)	
			POSITIVE	NEGATIVE
51.375" X 111.375"	43.0" X 50.5"	G1	+ 50.0	- 50.0
		G2	+ 60.0	- 65.0



02/16/2021

TE&C
 LUCAS A. TURNER, P.E. FL PE 58201
 TURNER ENGINEERING & CONSULTING, INC.
 FBPE COA #29779 PH. 941-380-1574
 2428 OLD NATORCHEZ TRACE TRAIL
 CAMDEN, TN 38320

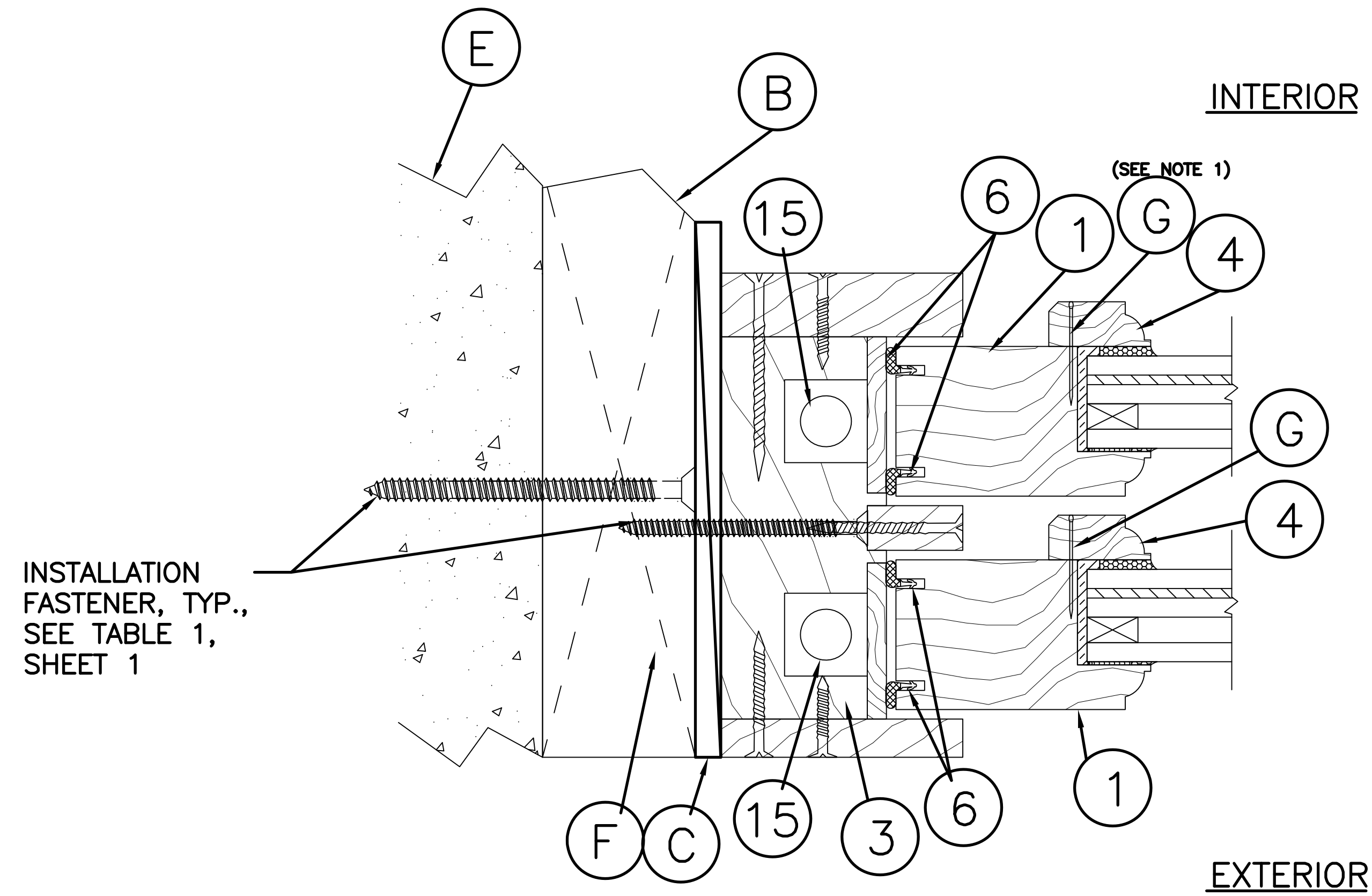
OWW LLC
 3001 Tuxedo Ave., West Palm Beach, FL 33405
 Ph. 561-478-7233 Fax 561-478-7858

HUNG BALANCE WINDOW
 TYPICAL ELEVATION, DESIGN PRESSURES & GENERAL NOTES

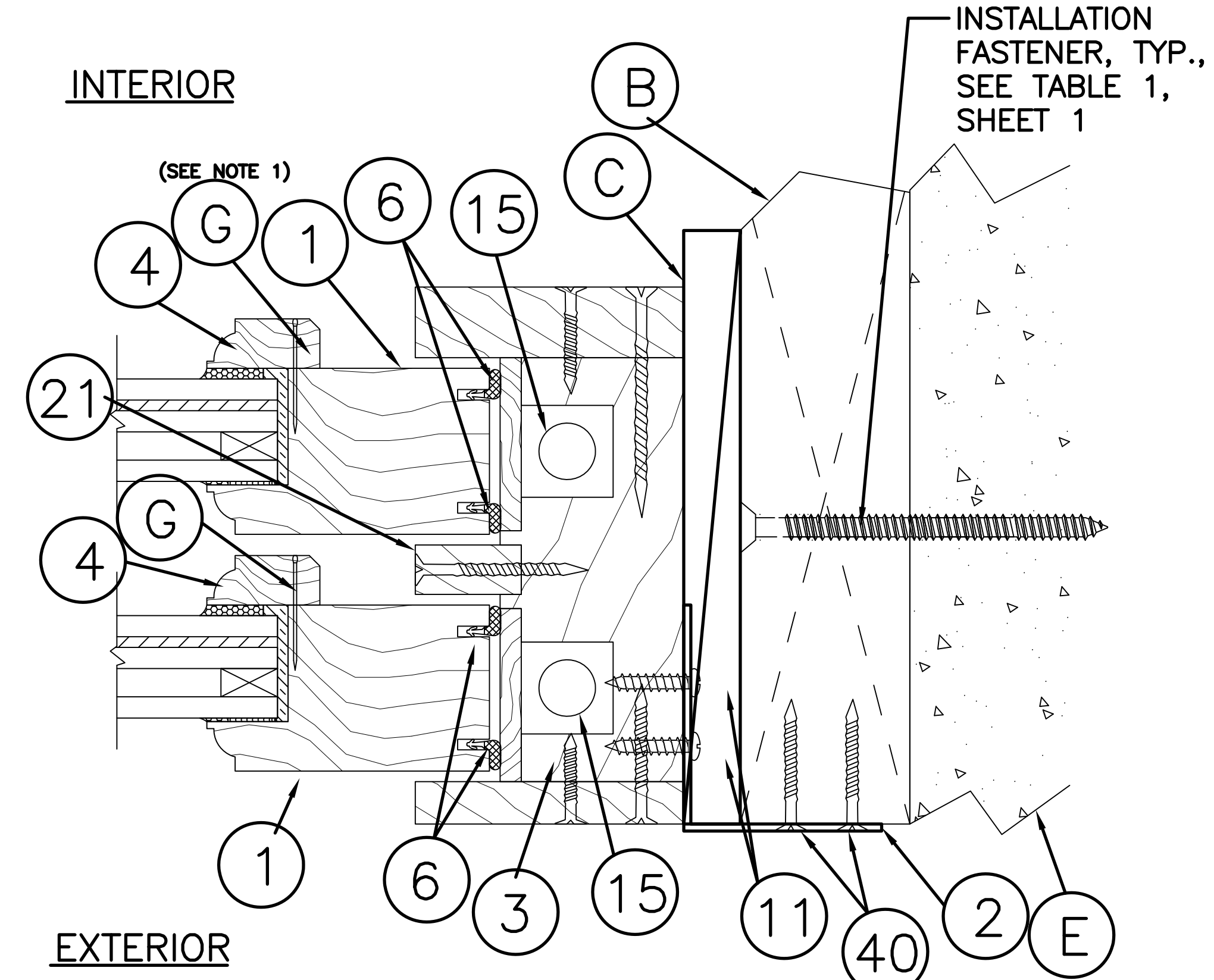
Product: SERIES 4500 ARCH TOP DOUBLE HUNG BALANCE WINDOW
 Date: 05-07-14
 Scale: None
 Drawn: JDS

Dwg. DH-ArchBal
 FL34941.3

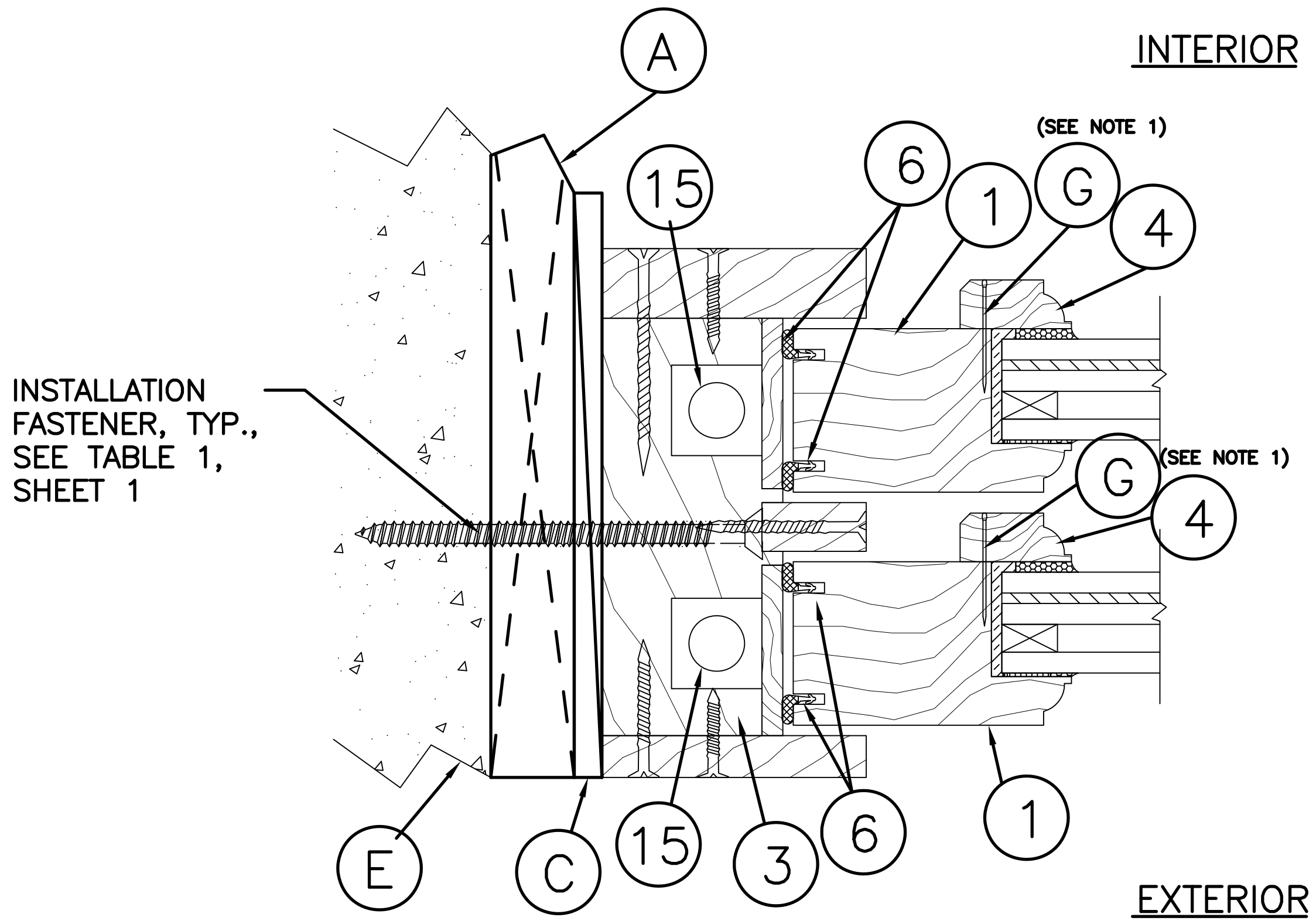
Sheet No.
 1D OF 7



2
2 HORIZONTAL CROSS SECTION
2X Buck Construction
(Thru-the-Frame Installation)



3
2 HORIZONTAL CROSS SECTION
2X Buck Construction
(Anchor Clip Installation)



1
2 HORIZONTAL CROSS SECTION
1X Buck Construction
(Thru-the-Frame Installation)

NOTE:
1. Item #G located 1" from each end then 10" on center.



02/16/2021

TE&C
LUCAS A. TURNER, P.E. FL PE 58201
TURNER ENGINEERING & CONSULTING, INC.
FBPE COA #29779 PH. 941-380-1574
2428 OLD NATCHEZ TRACE TRAIL
CAMDEN, TN 38320

OWW LLC
3001 Tuxedo Ave., West Palm Beach, FL 33405
Ph. 561-478-7233 Fax 561-478-7858

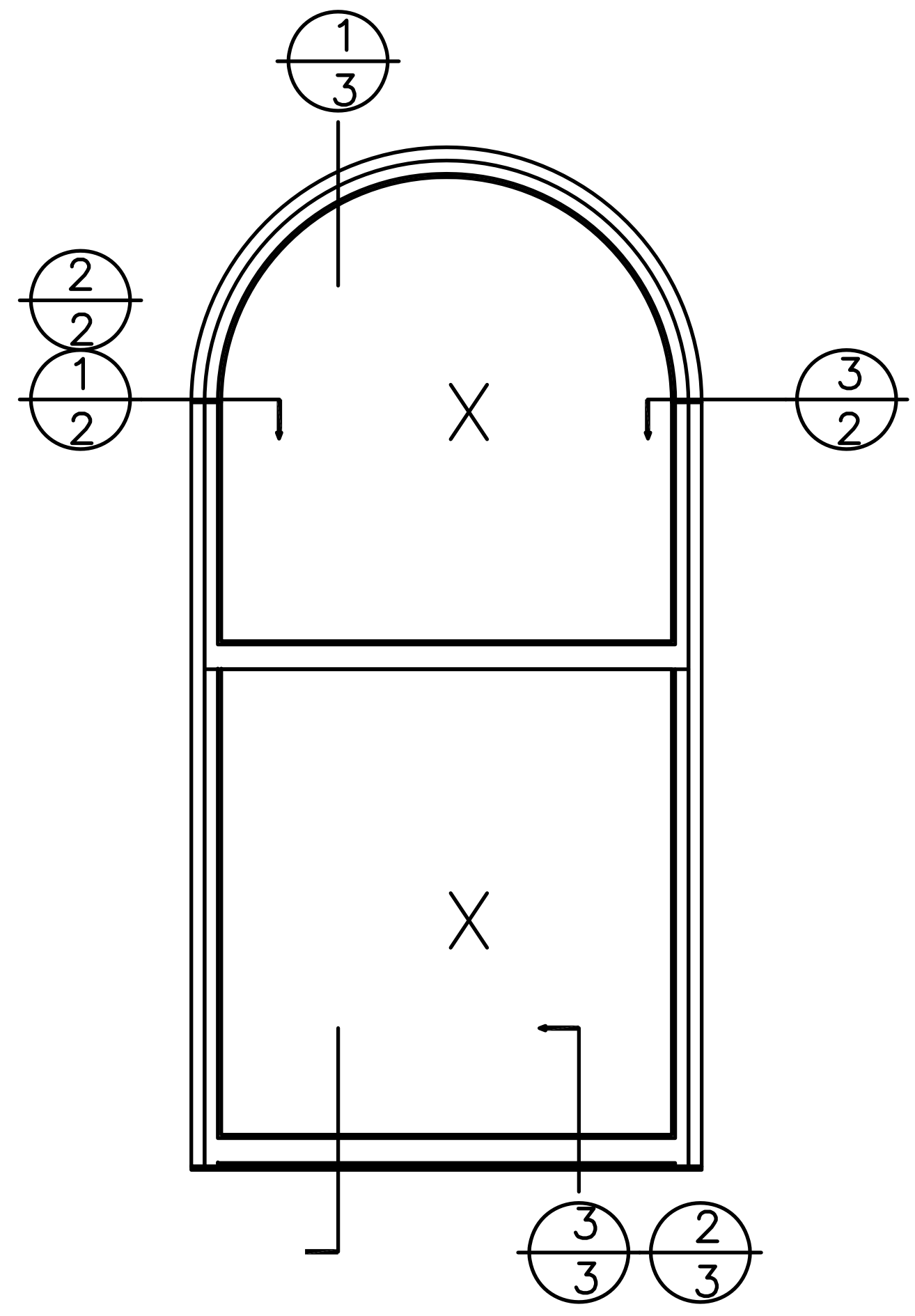
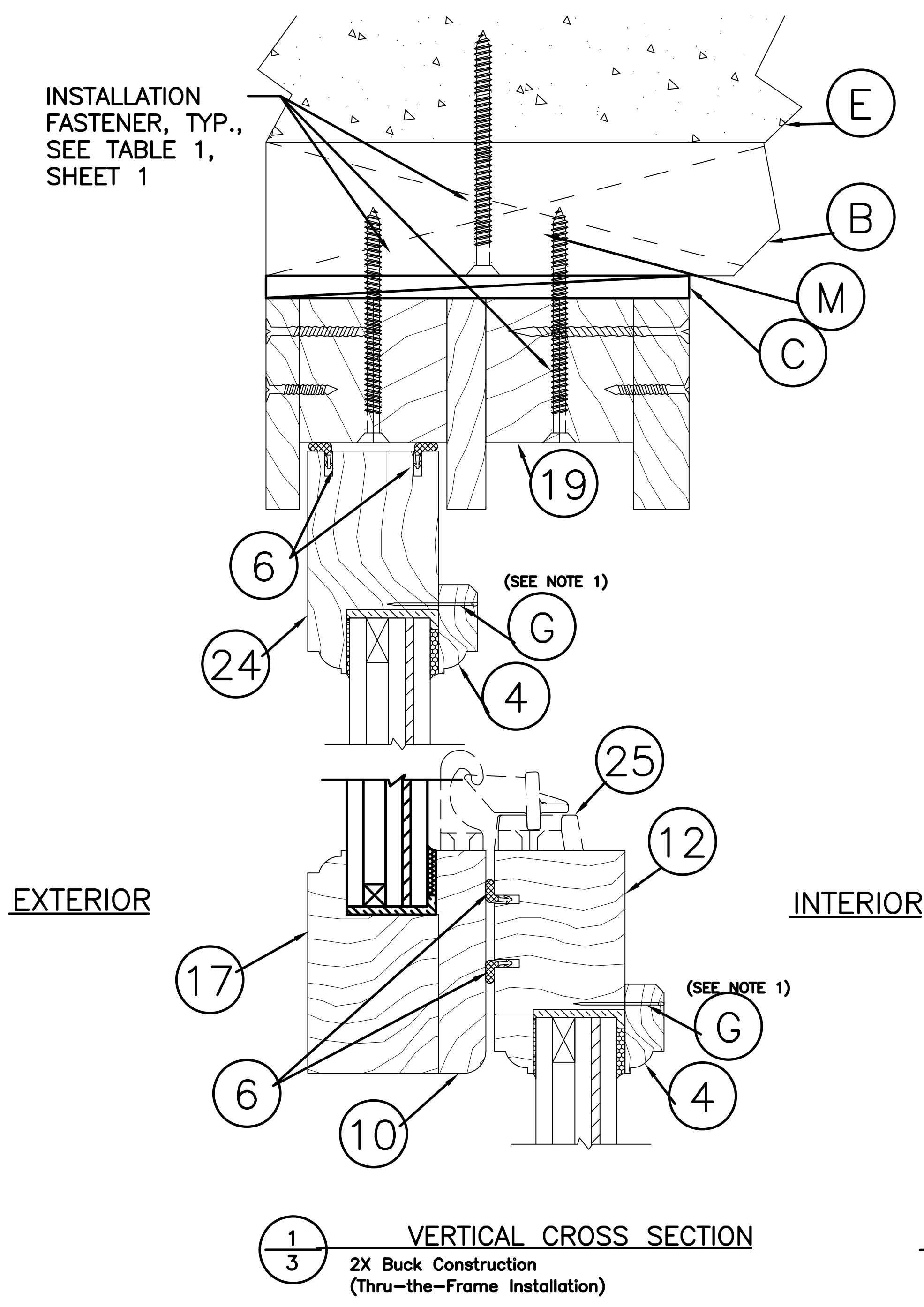
Product: SERIES 4500
ARCH TOP DOUBLE HUNG BALANCE WINDOW

HORIZONTAL
CROSS SECTIONS

Date: 05-07-14
Scale: None
Drawn: JDS

Dwg. DH-ArchBal
FL34941.3
Sheet No.
2D OF 7

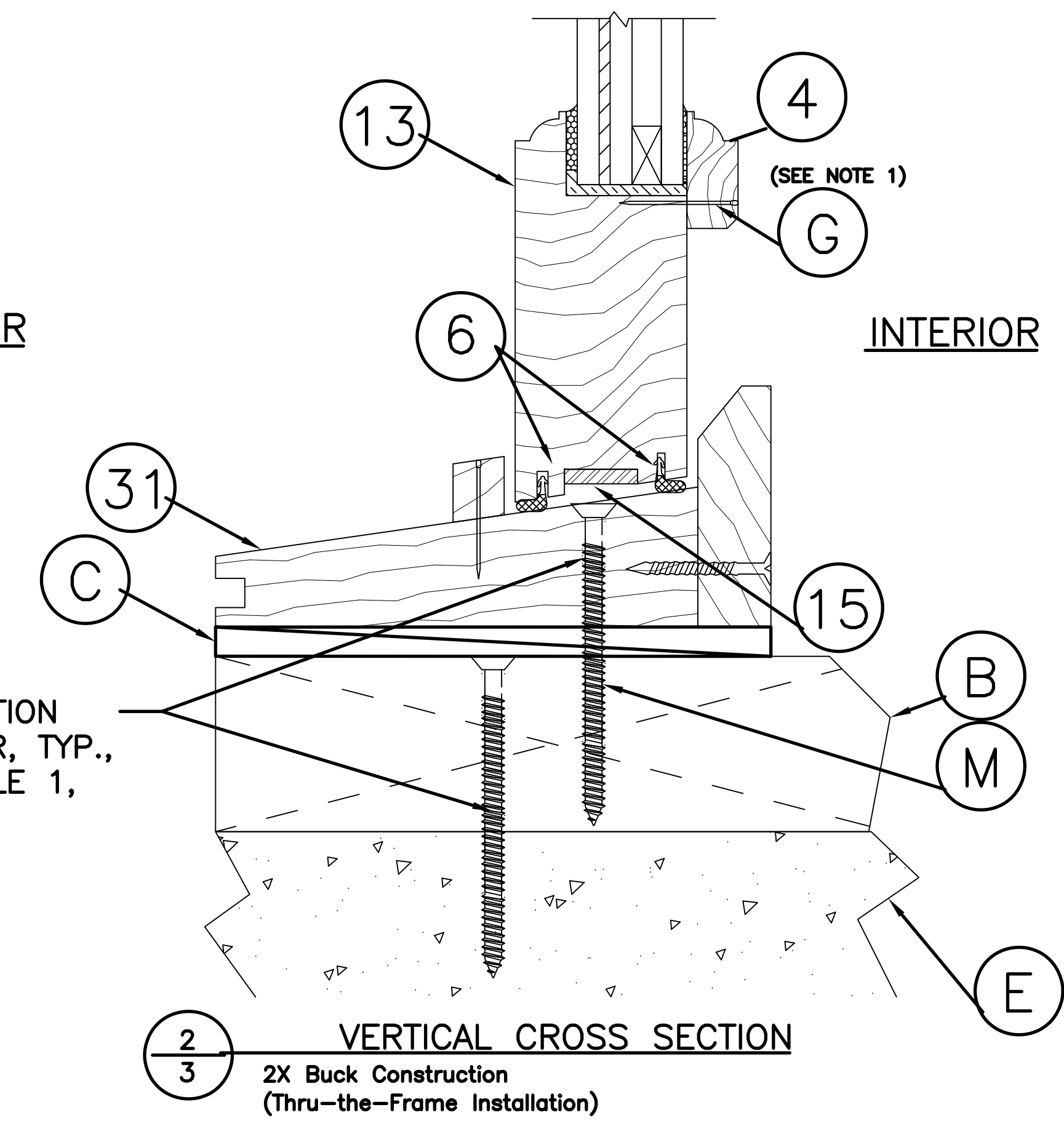
INSTALLATION FASTENER, TYP., SEE TABLE 1, SHEET 1



NOTE:
1. Item #G located 1" from each end then 10" on center.

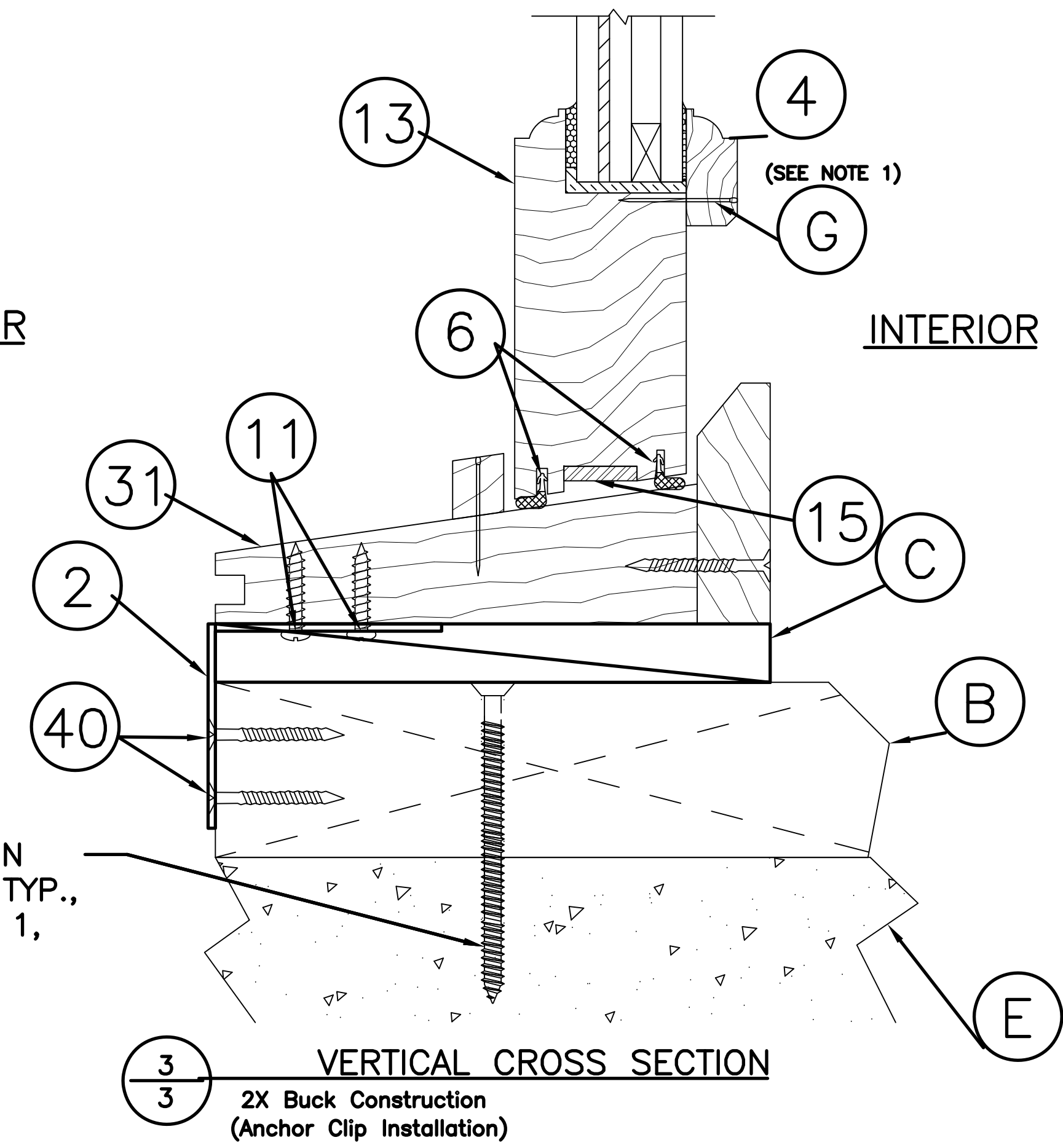
EXTERIOR

INSTALLATION FASTENER, TYP., SEE TABLE 1, SHEET 1



EXTERIOR

INSTALLATION FASTENER, TYP., SEE TABLE 1, SHEET 1



02/16/2021

TE&C
LUCAS A. TURNER, P.E. FL PE 58201
TURNER ENGINEERING & CONSULTING, INC.
FBPE COA #29779 PH. 941-380-1574
2428 OLD NATCHEZ TRACE TRAIL
CAMDEN, TN 38320

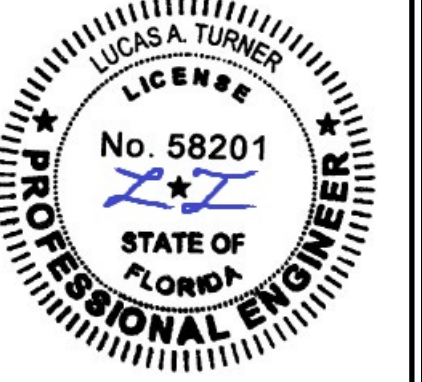
OWW LLC
3001 Tuxedo Ave., West Palm Beach, FL 33405
Ph. 561-478-7233 Fax 561-478-7858

Product: SERIES 4500
ARCH TOP DOUBLE HUNG BALANCE WINDOW

VERTICAL CROSS SECTIONS

Date: 05-07-14
Scale: None
Drawn: JDS

Dwg. DH-ArchBal
FL34941.3
Sheet No. 3D OF 7



02/16/2021

TE&C
LUCAS A. TURNER, P.E. FL PE 58201
TURNER ENGINEERING & CONSULTING, INC.
FBPE COA #29779 PH. 941-380-1574
2428 OLD NATCHEZ TRACE TRAIL
CAMDEN, TN 38320

OWW LLC
3001 Tuxedo Ave., West Palm Beach, FL 33405
Ph. 561-478-7233 Fax 561-478-7858

Product: SERIES 4500
ARCH TOP DOUBLE HUNG BALANCE WINDOW

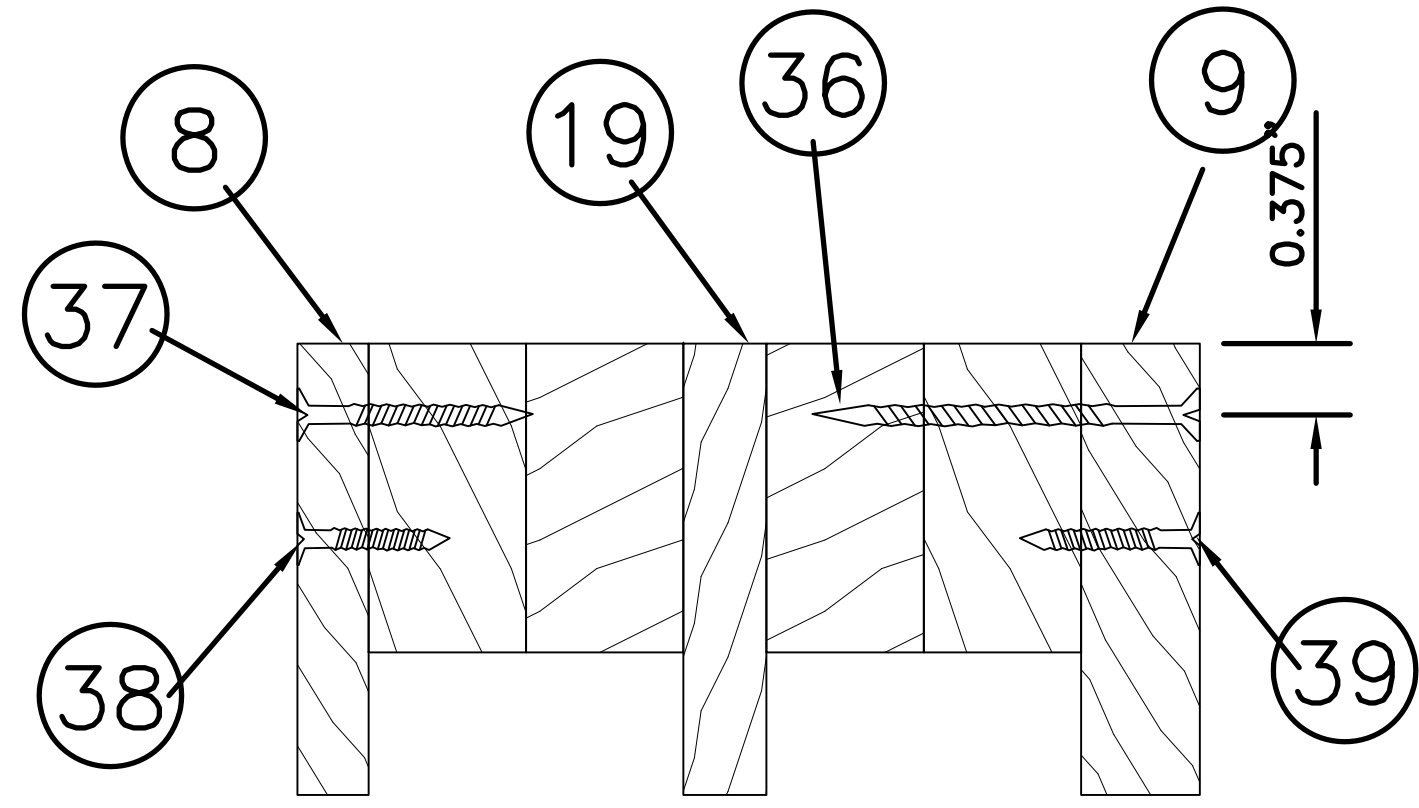
FRAME DETAILS

Date: 05-07-14
Scale: None
Drawn: JDS

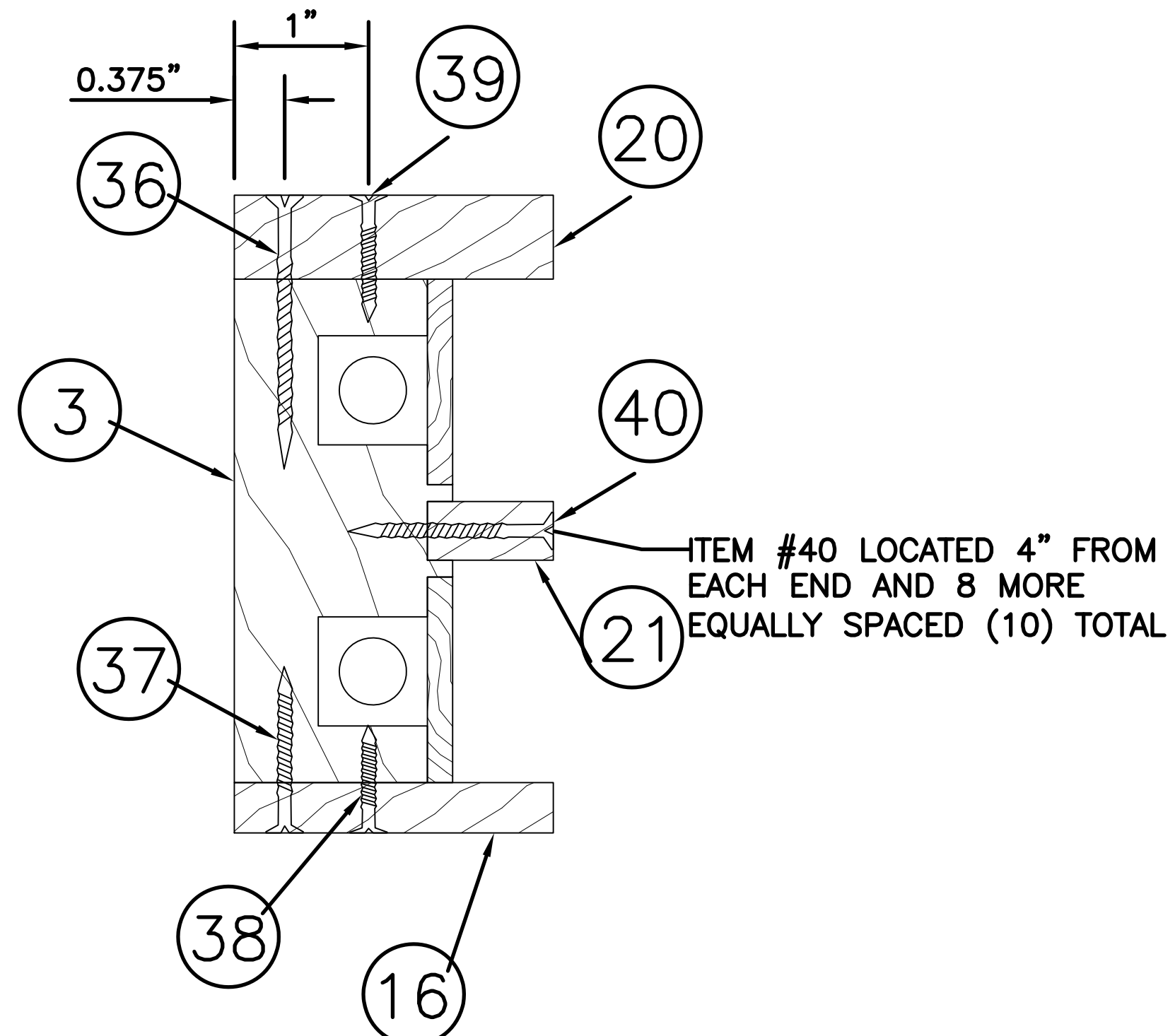
Dwg. DH-ArchBal

FL34941.3

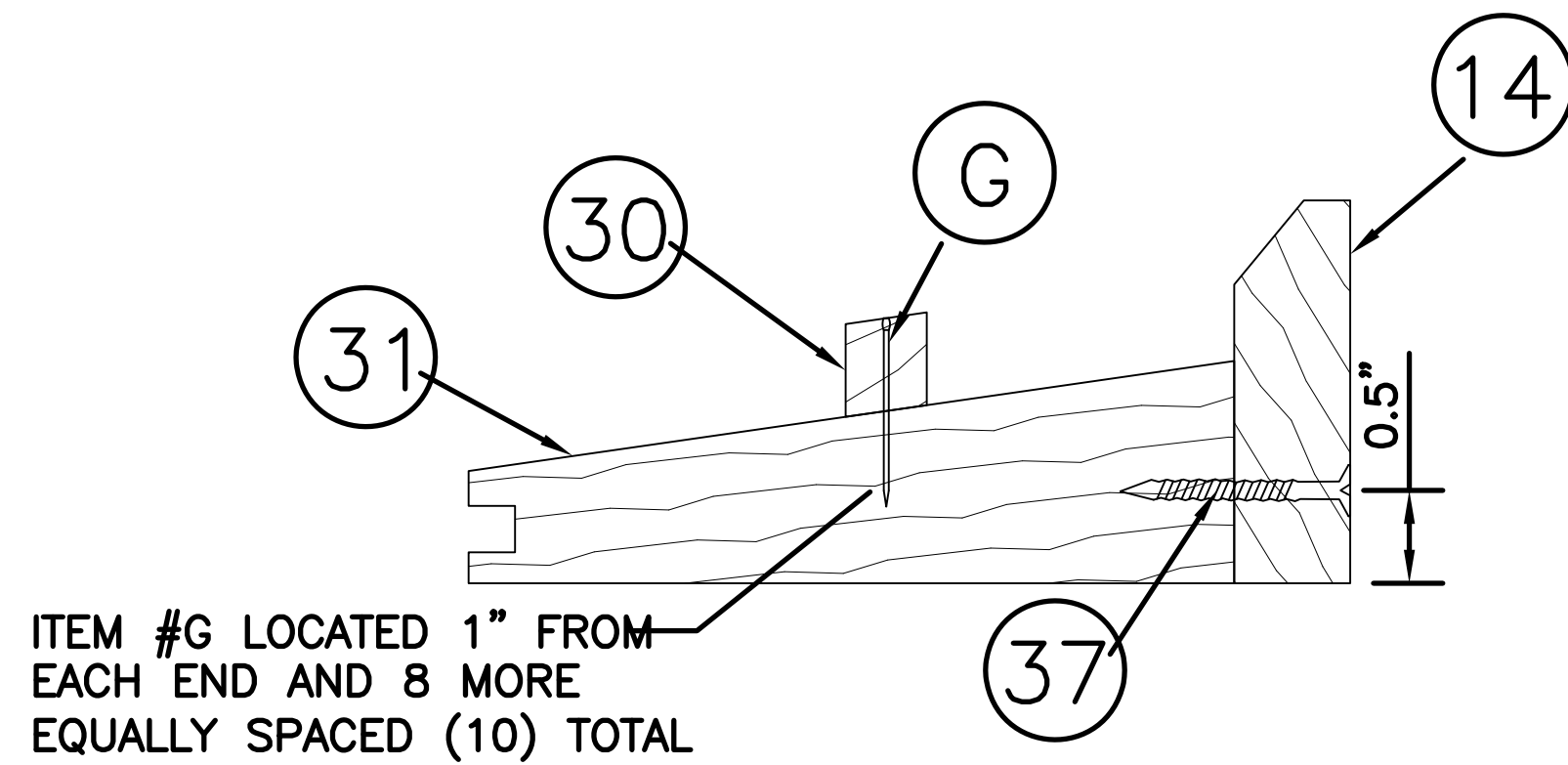
Sheet No.
4D OF 7



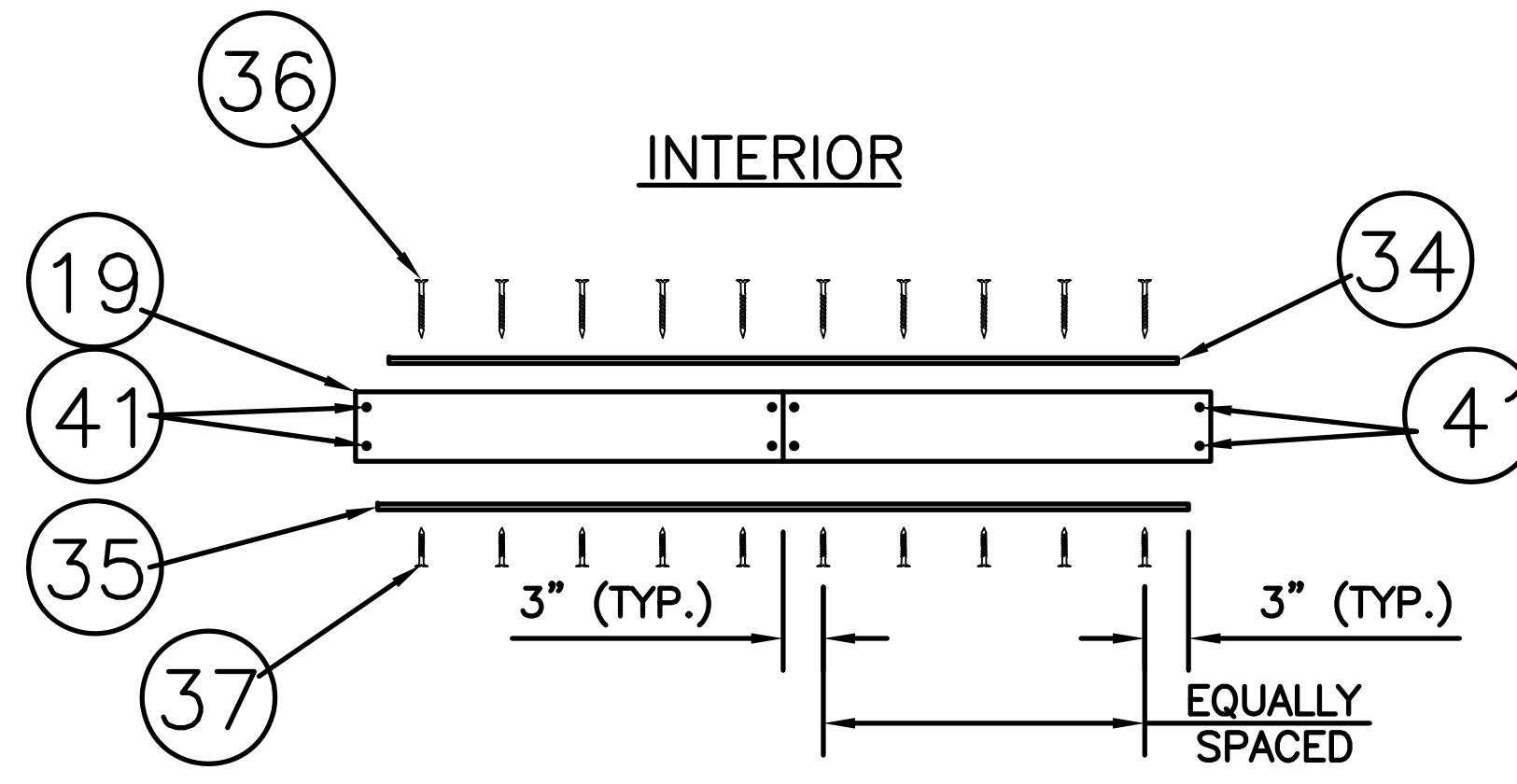
SECTION A-A



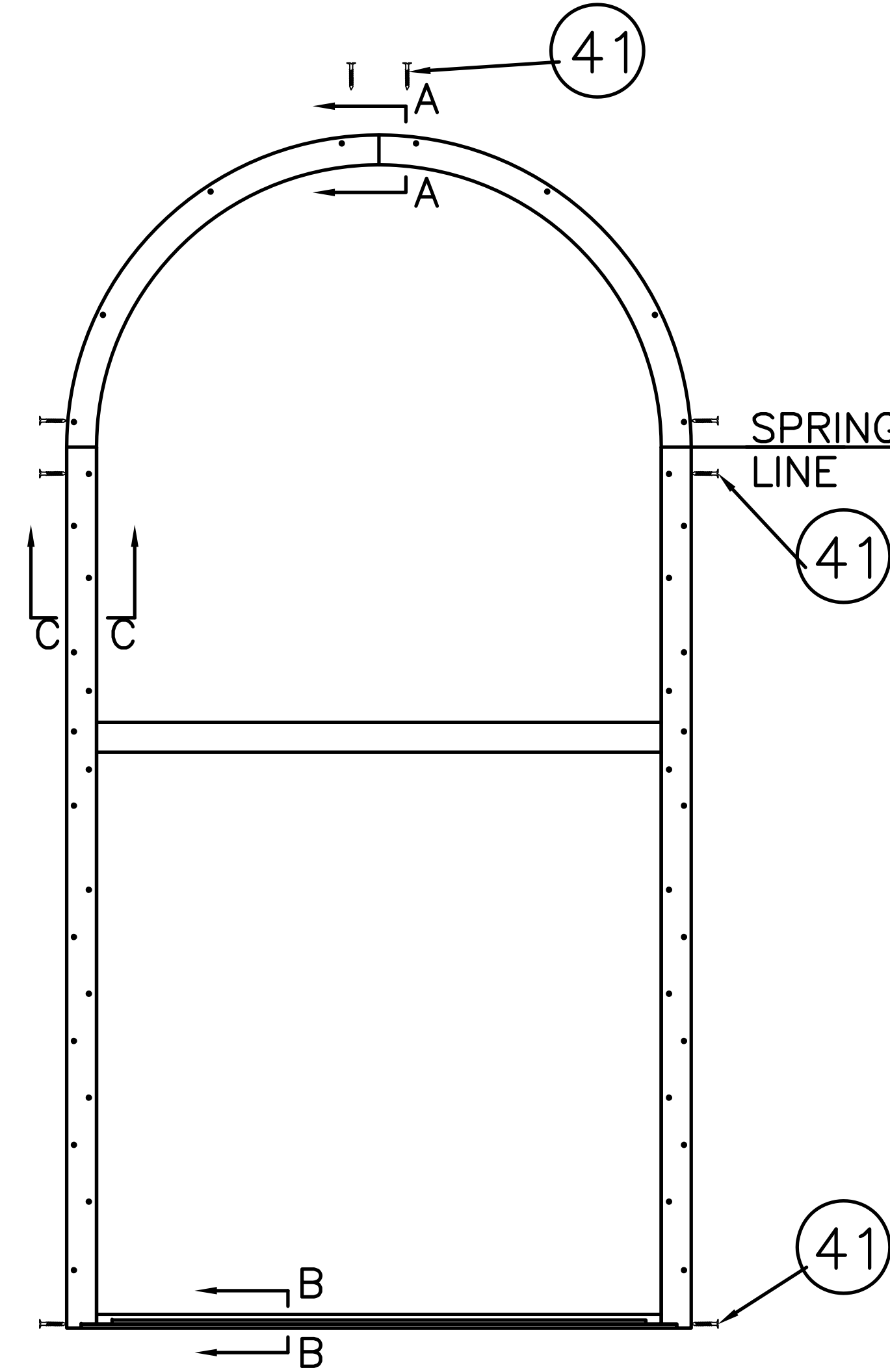
SECTION C-C



SECTION B-B

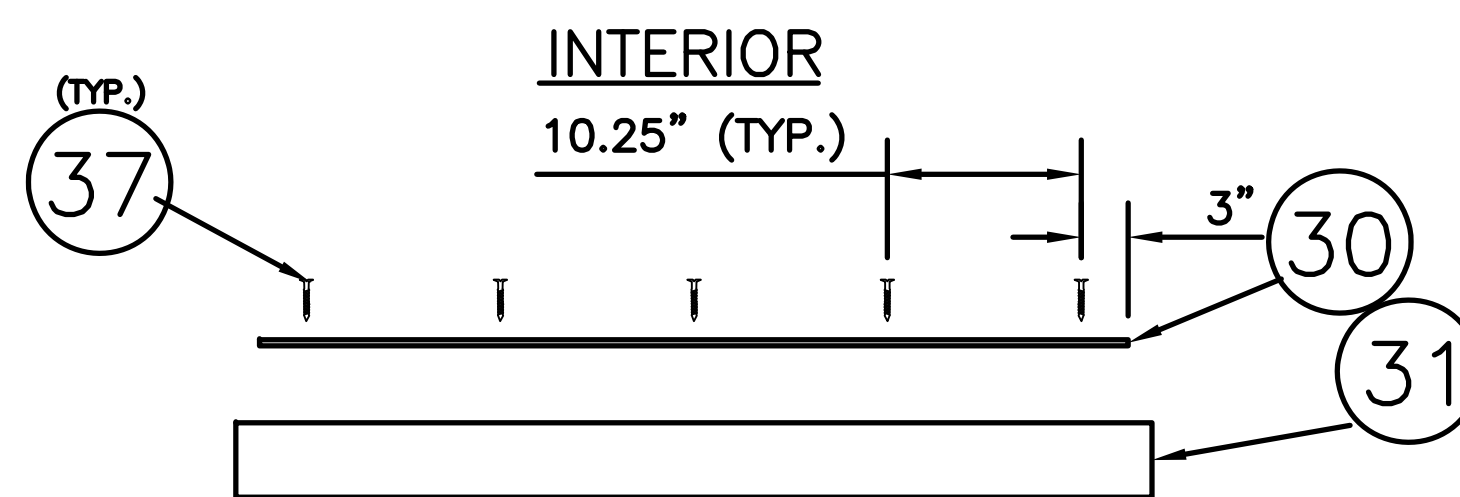


EXTERIOR

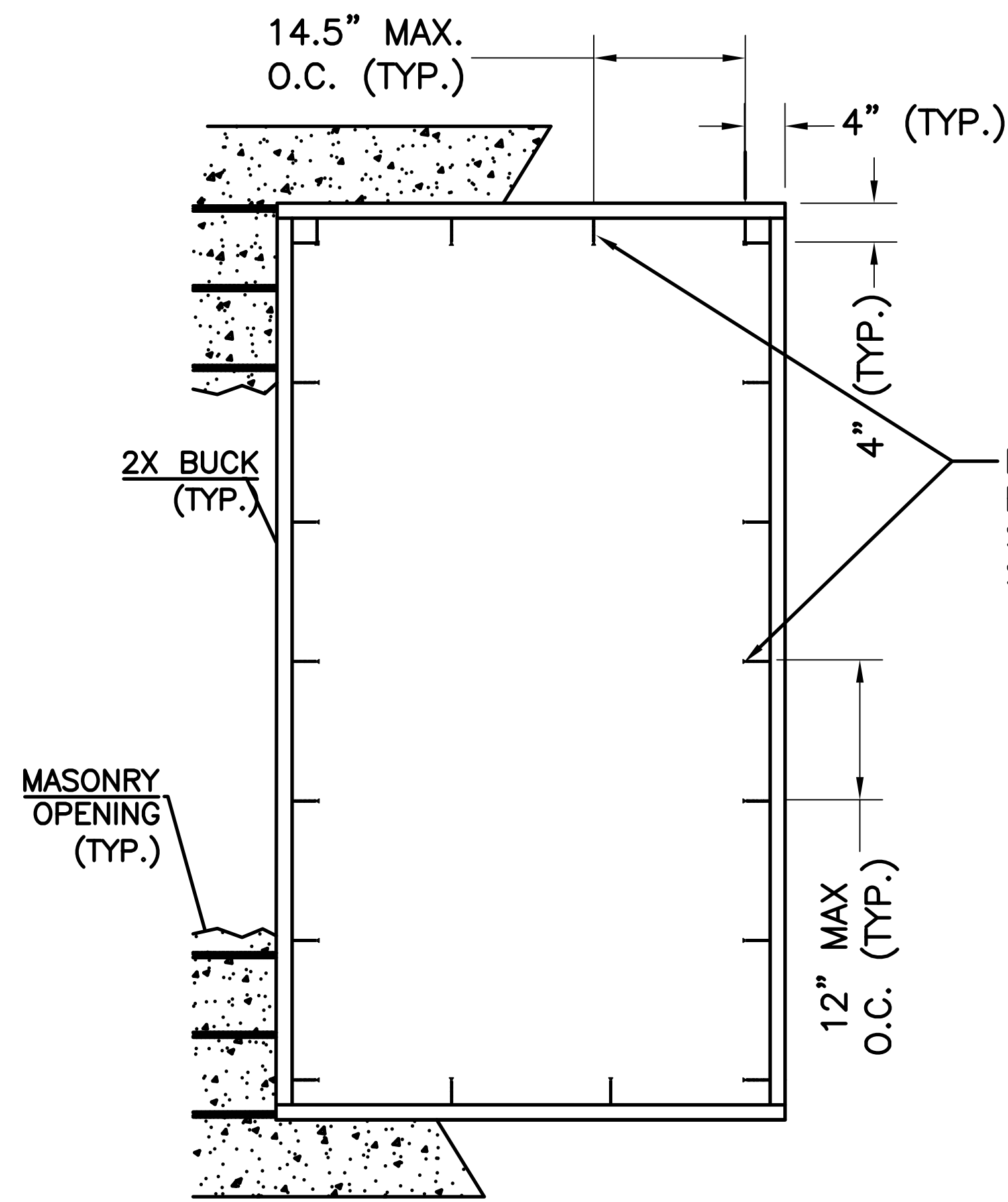


EXTERIOR

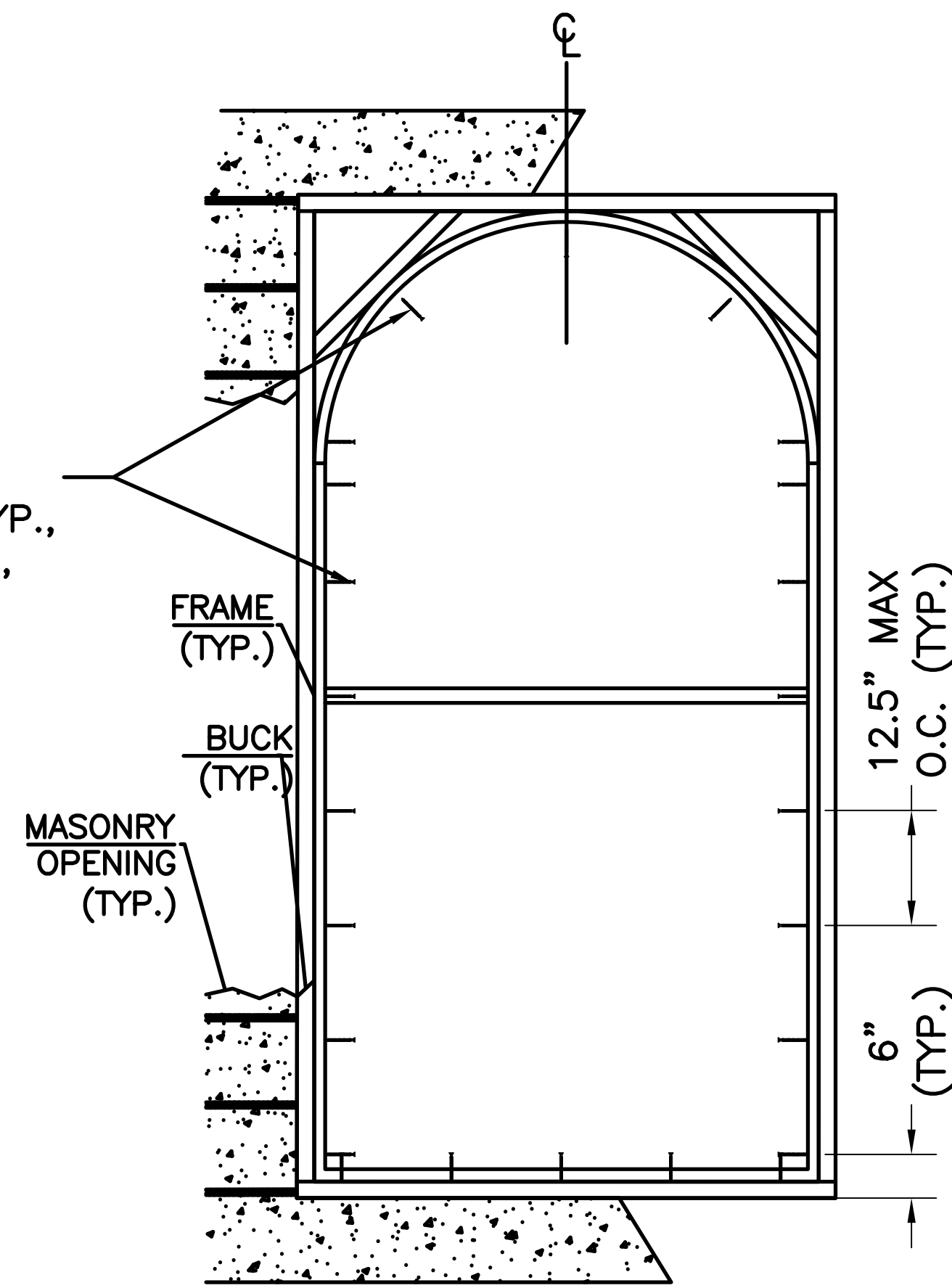
INTERIOR



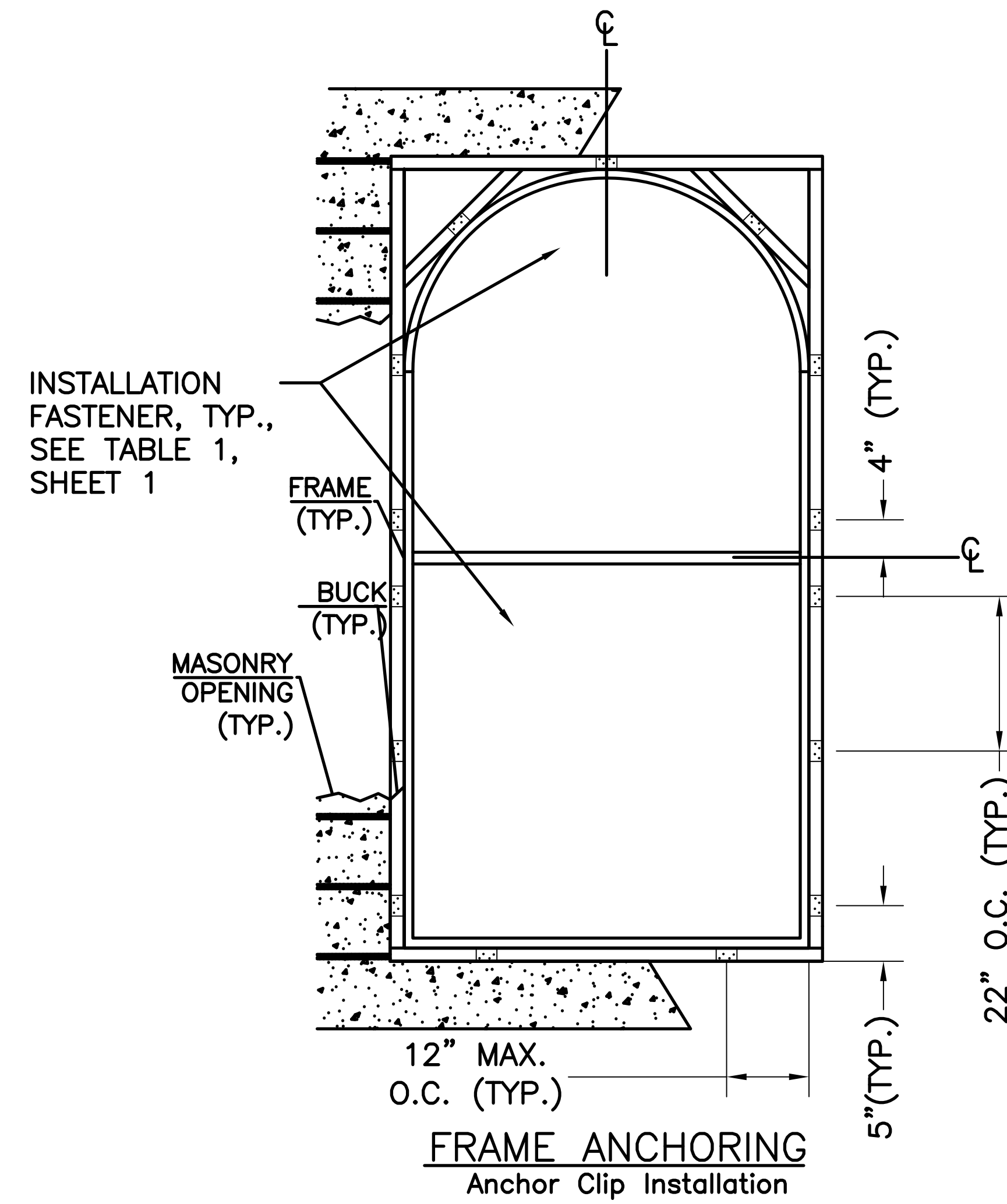
EXTERIOR



BUCK ANCHORING
Masonry construction

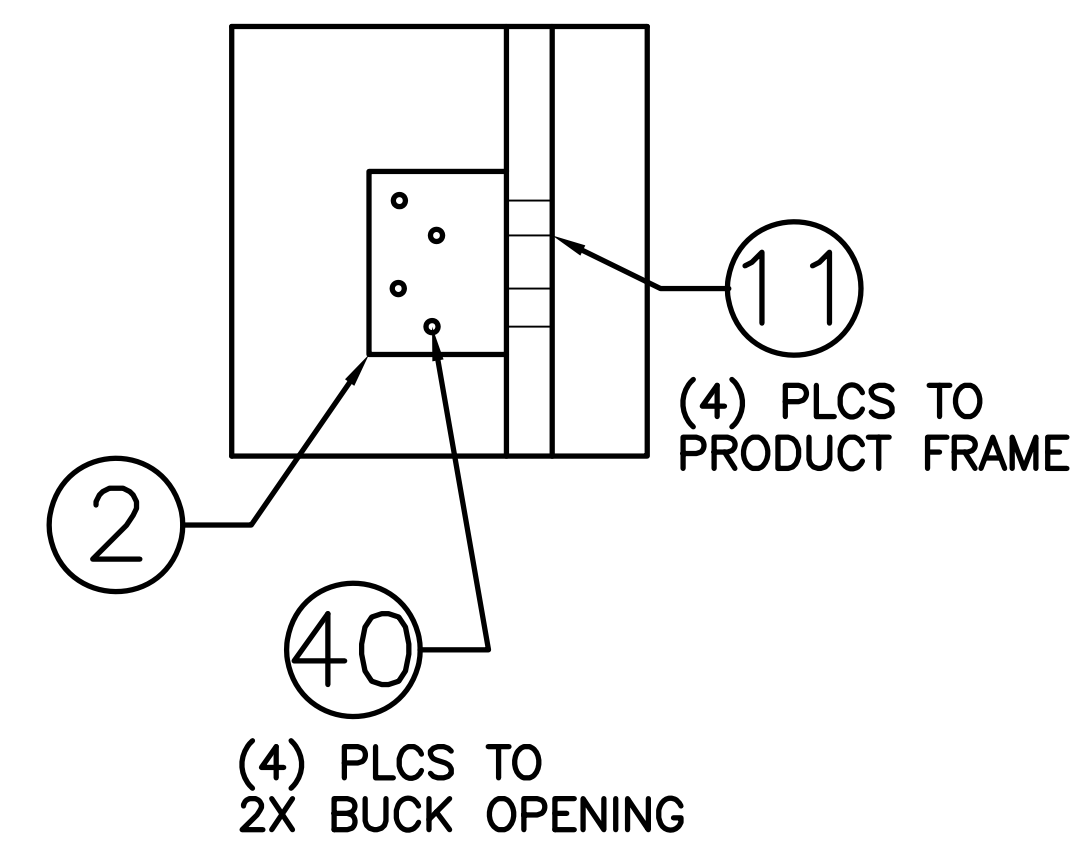


FRAME ANCHORING
Through-the-Frame Installation

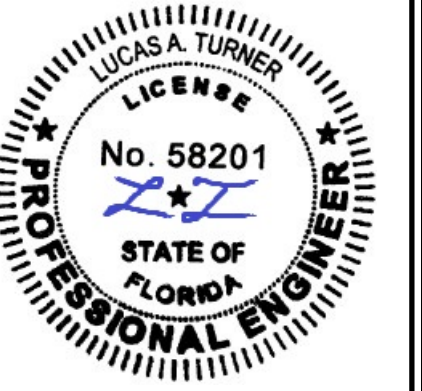


FRAME ANCHORING
Anchor Clip Installation

NOTE: STAGGER ANCHORS AS NEEDED TO ENSURE 4" MIN. SEPARATION BETWEEN ANY TWO BUCK AND/OR THROUGH-FRAME ANCHORS, WHILE NOT EXCEEDING MAX. ANCHOR SPACINGS NOTED IN DETAILS (MAY NEED ADDITIONAL FASTENERS).



ANCHOR CLIP DETAIL



02/16/2021

TE&C
LUCAS A. TURNER, P.E. FL PE 58201
TURNER ENGINEERING & CONSULTING, INC.
FBPE COA #29779 PH. 941-380-1574
2428 OLD NATCHEZ TRACE TRAIL
CAMDEN, TN 38320

OWW LLC
3001 Tuxedo Ave., West Palm Beach, FL 33405
Ph. 561-478-7233 Fax 561-478-7858

Product: SERIES 4500
ARCH TOP DOUBLE HUNG BALANCE WINDOW

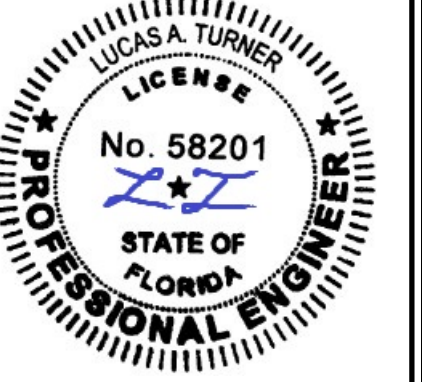
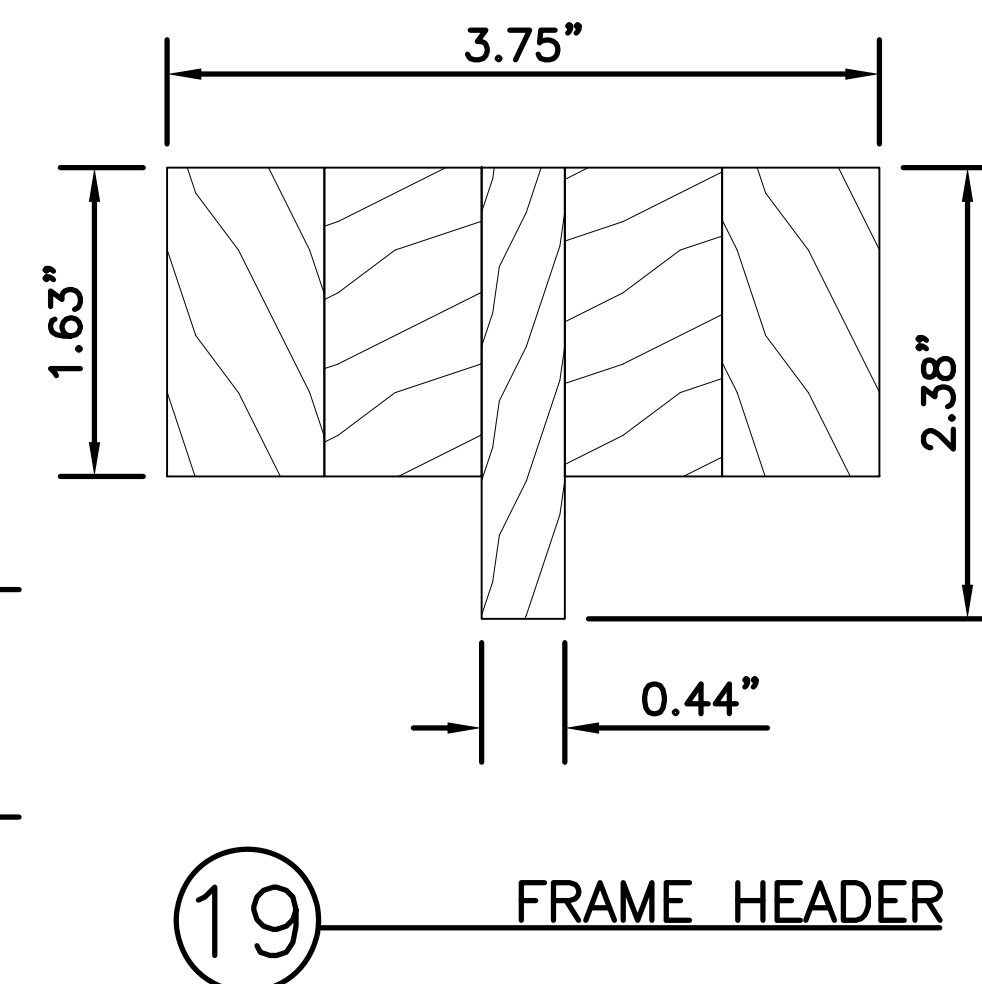
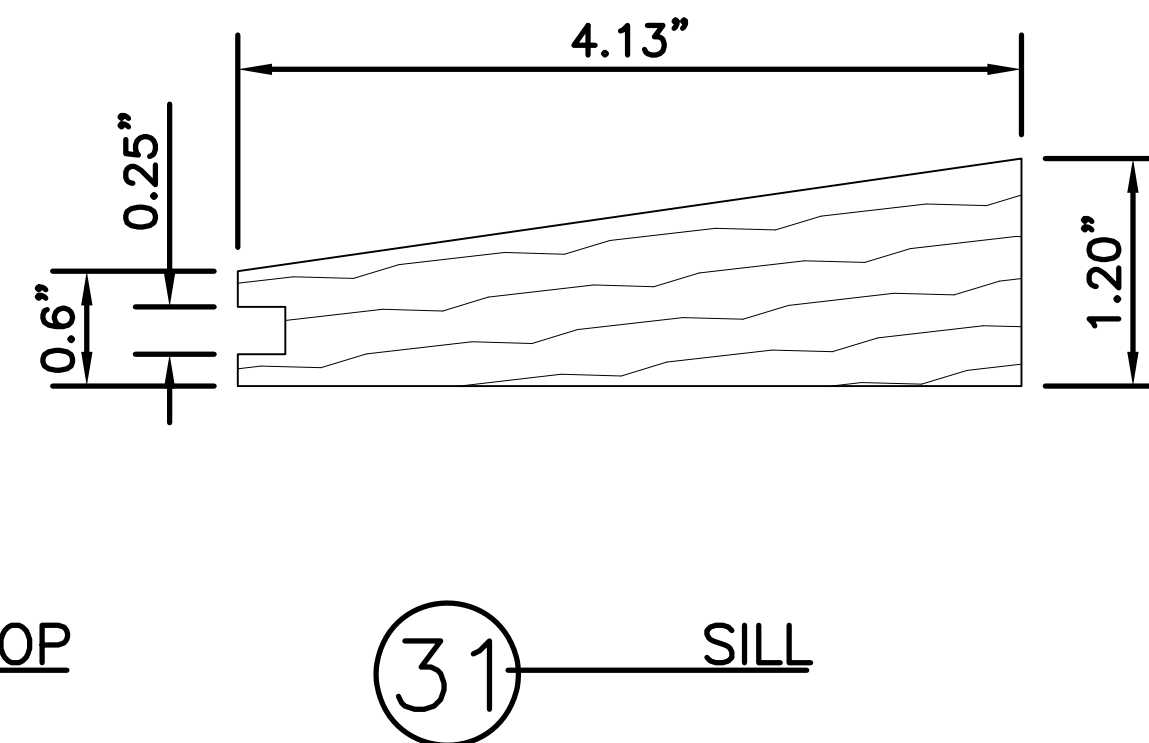
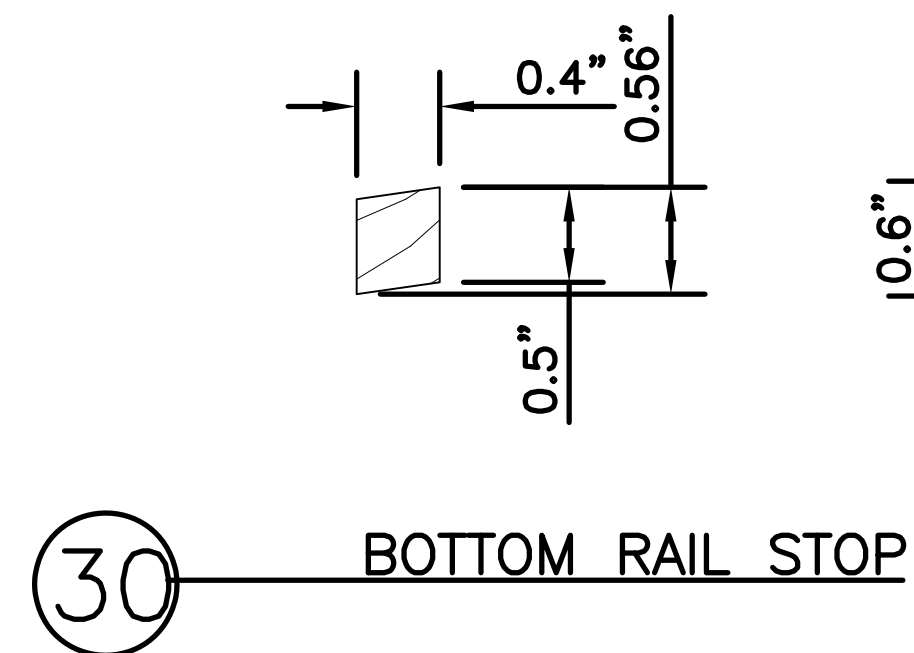
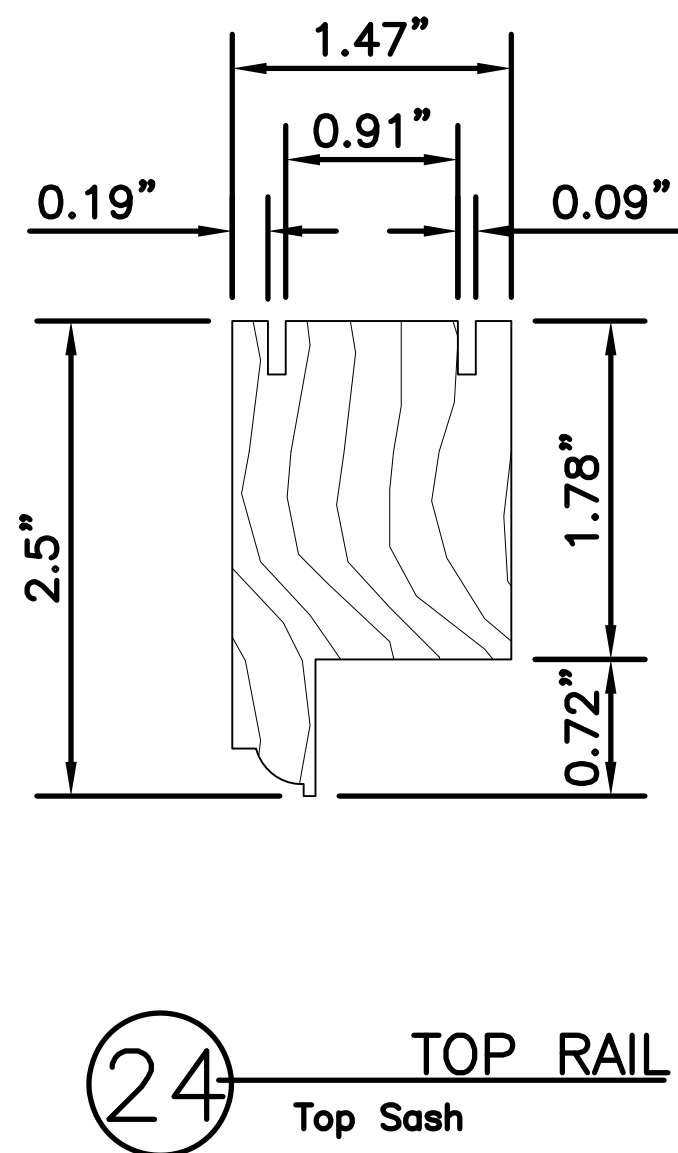
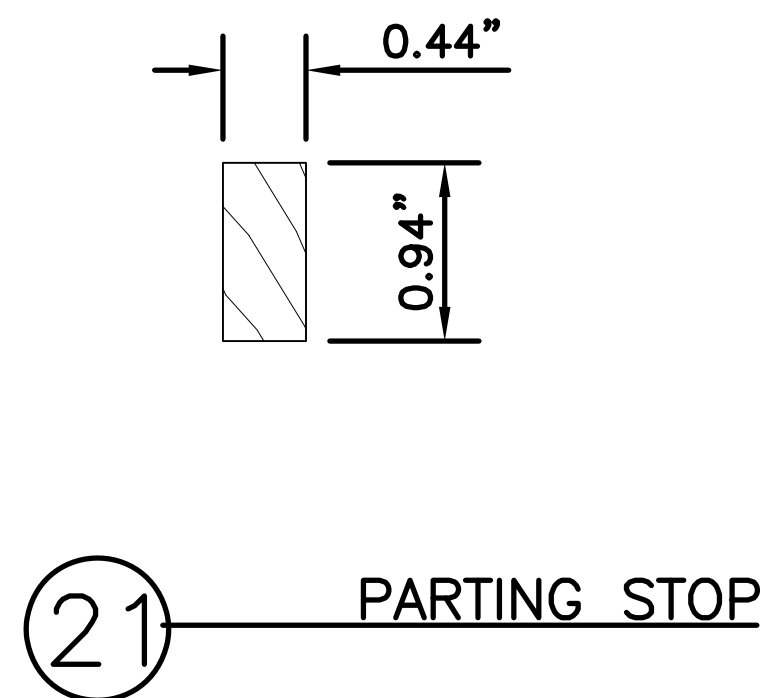
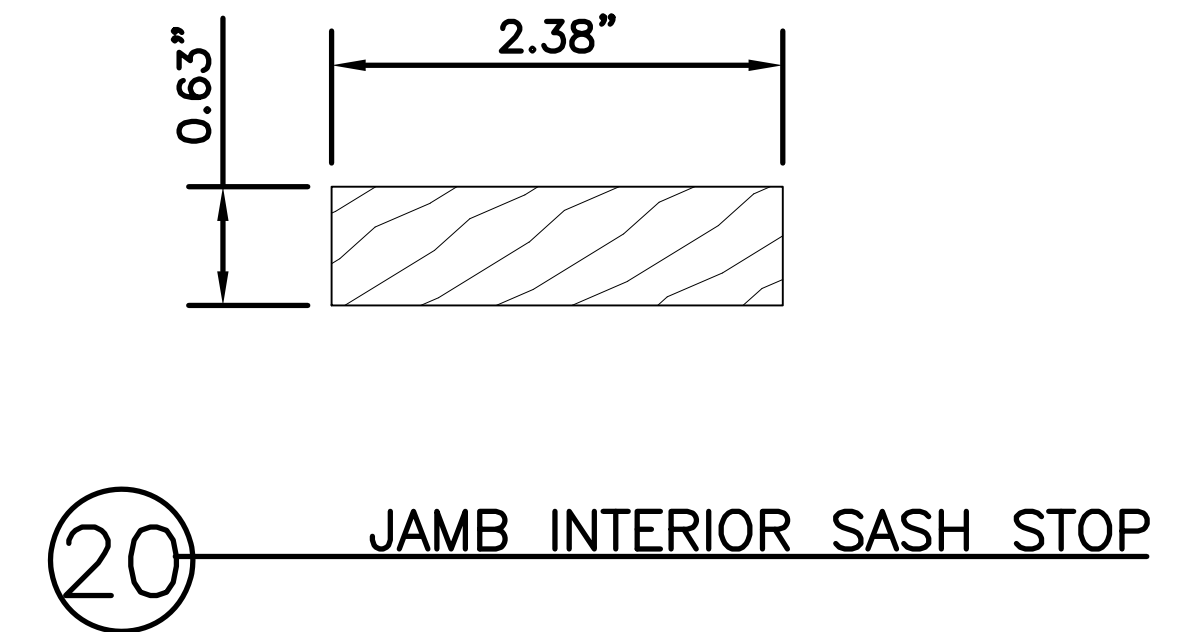
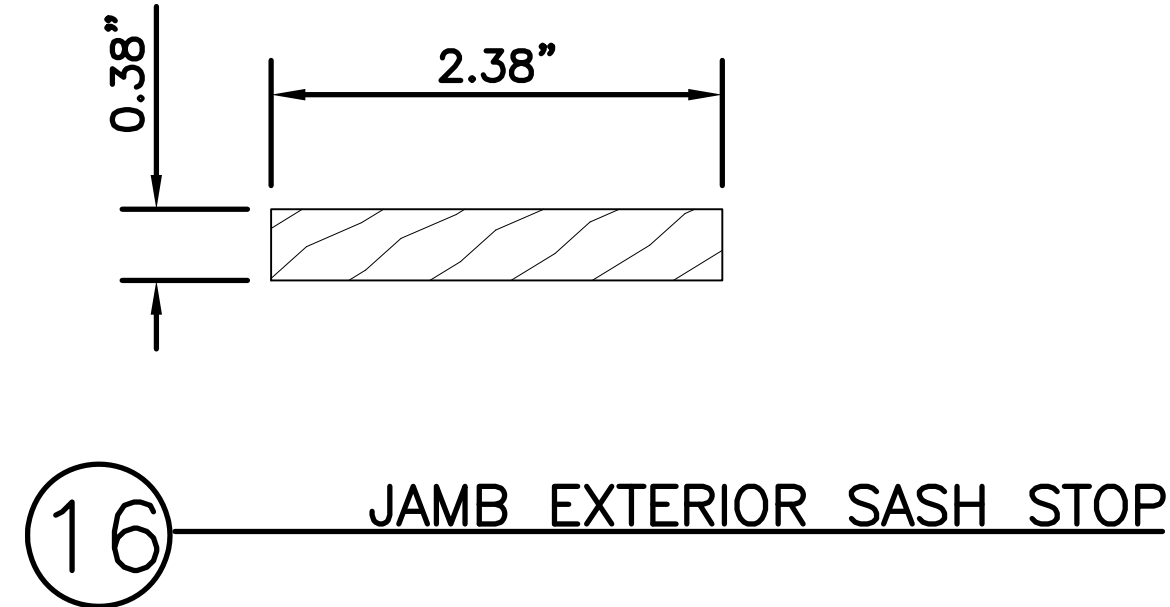
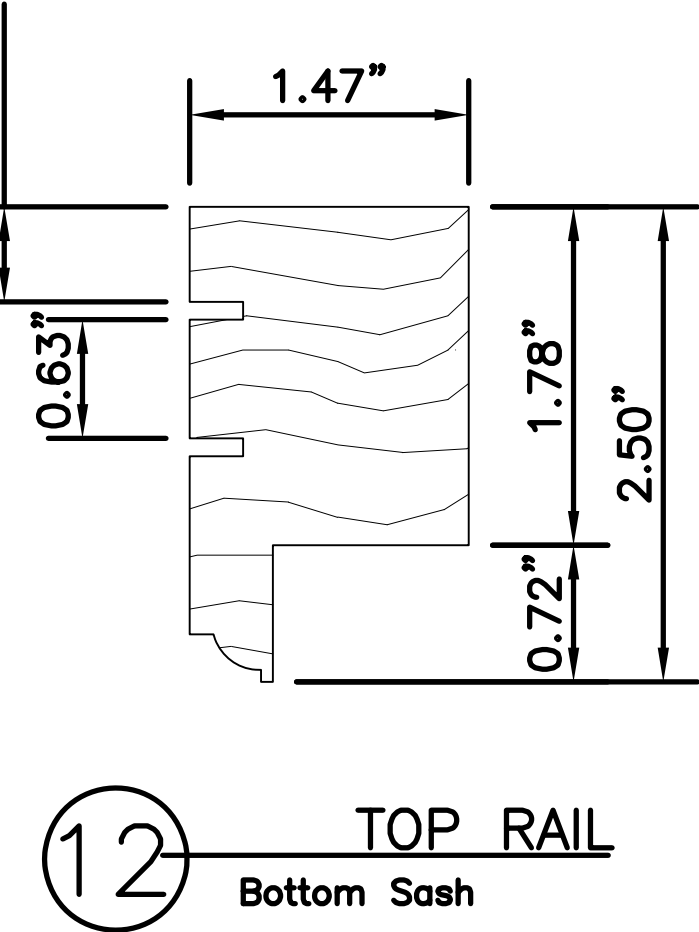
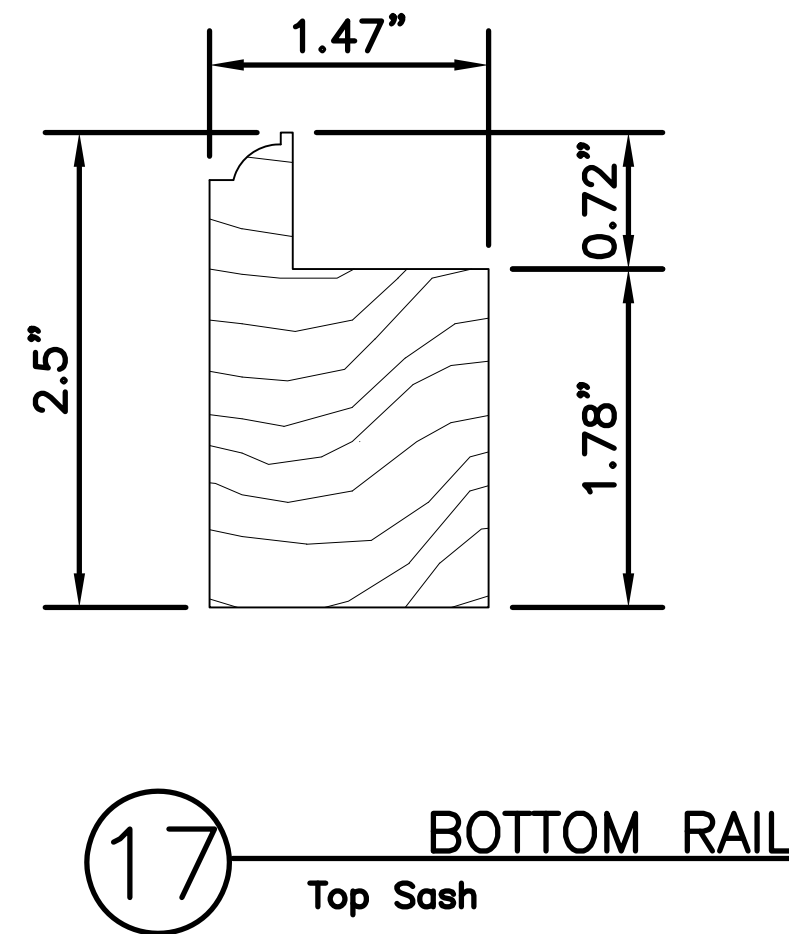
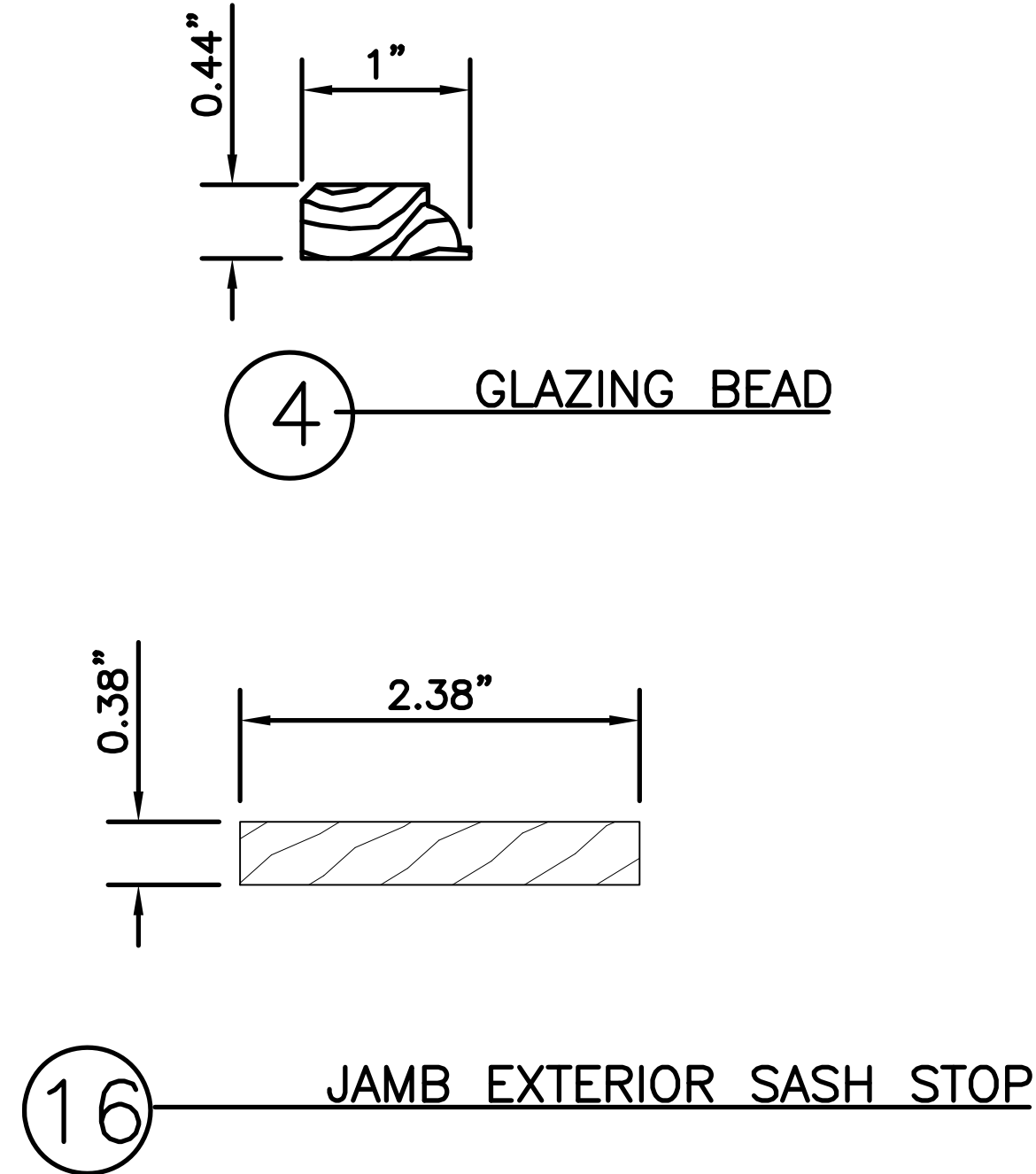
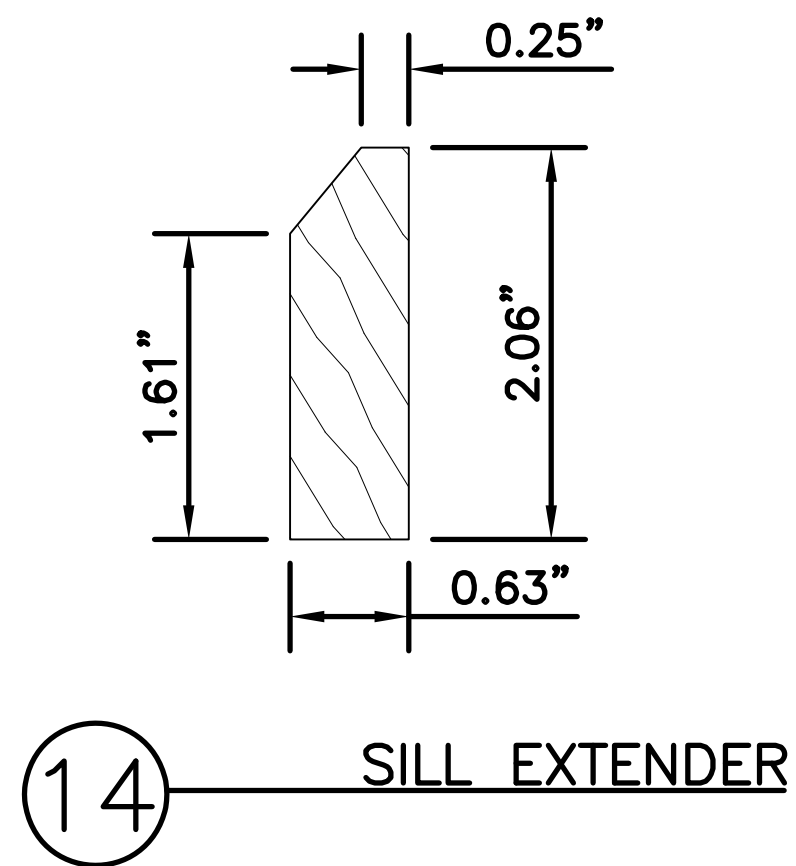
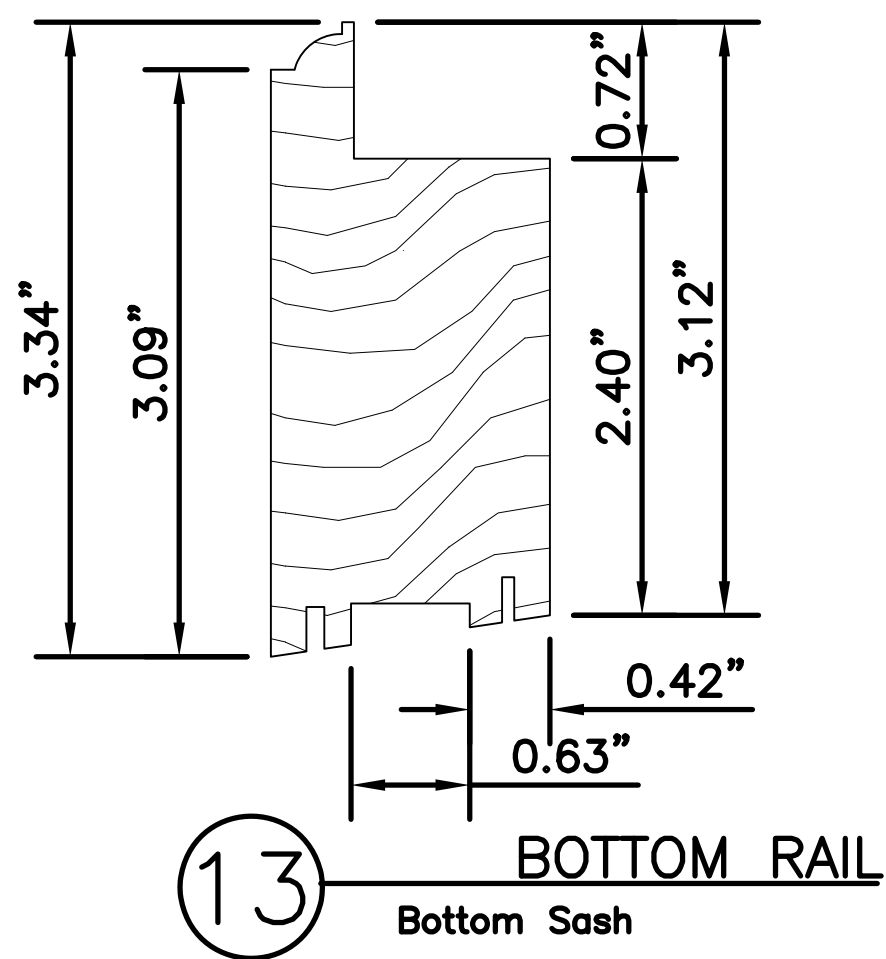
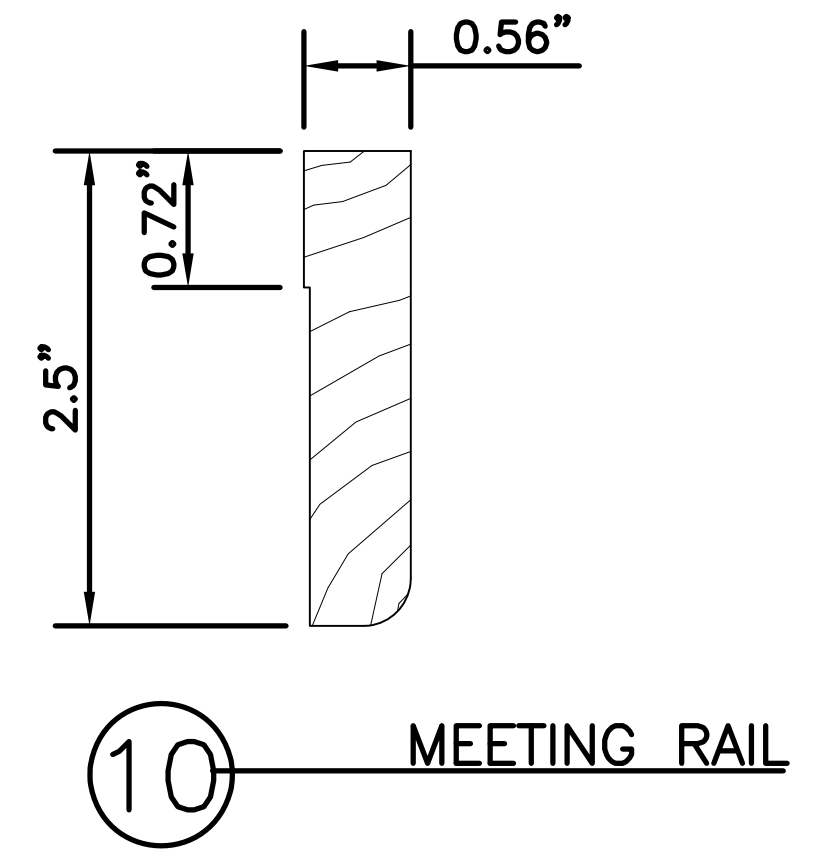
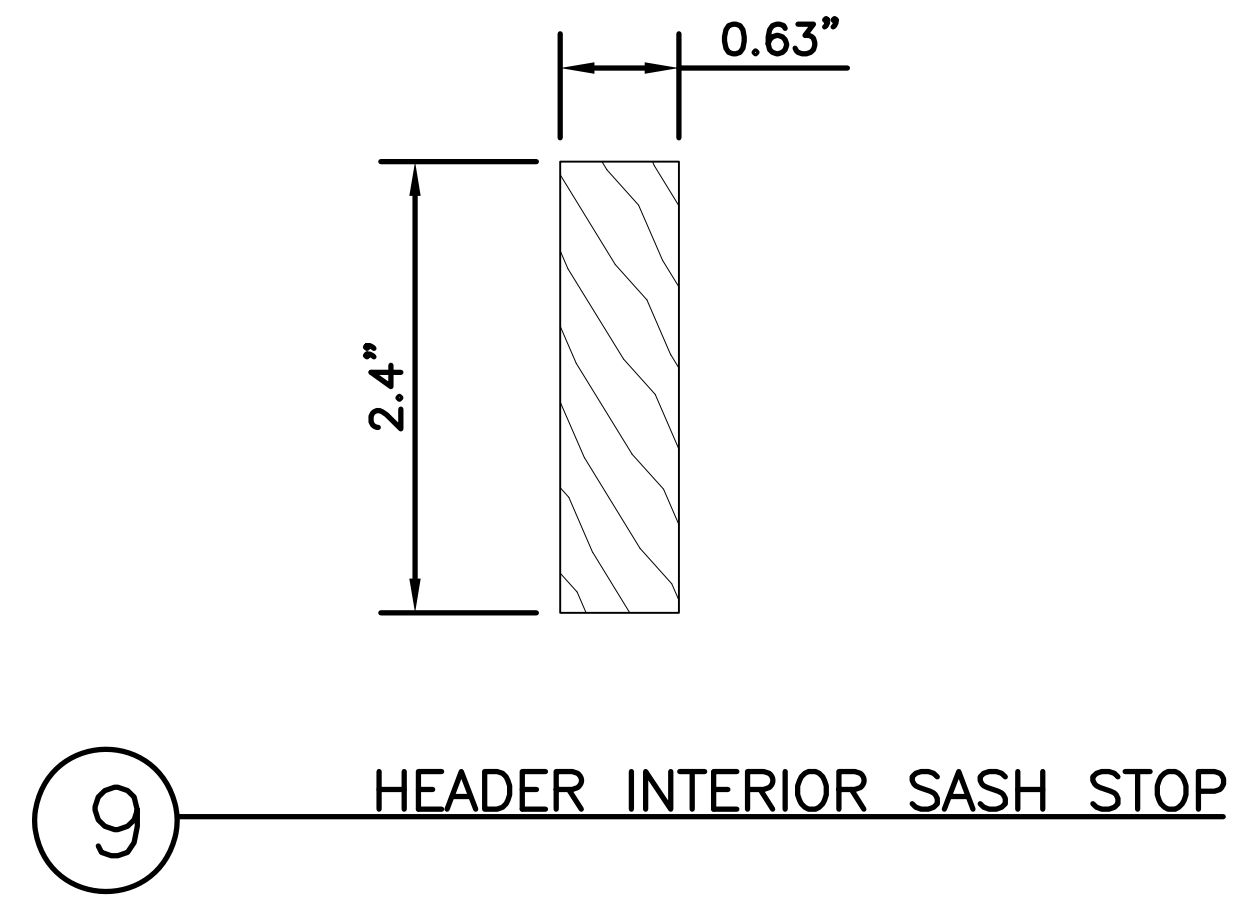
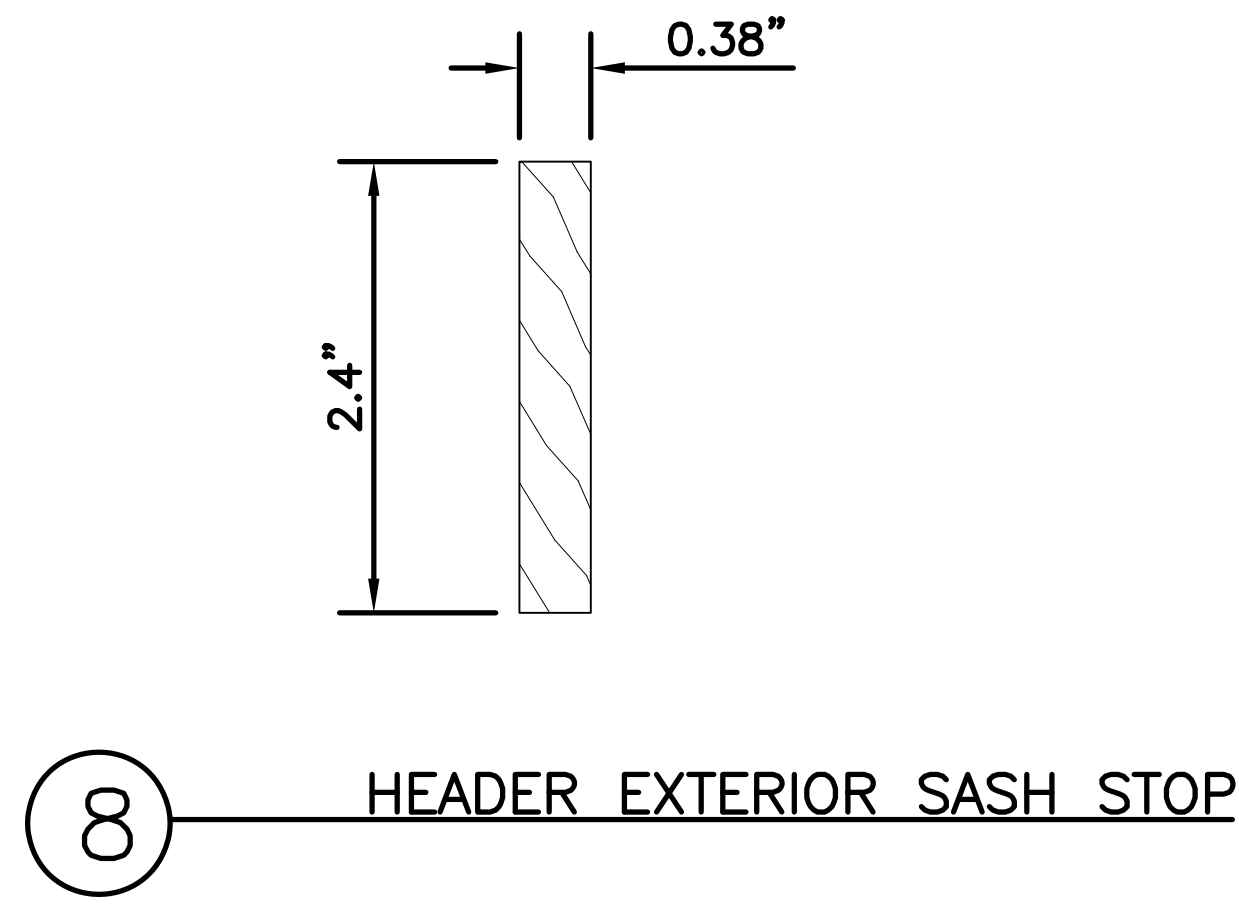
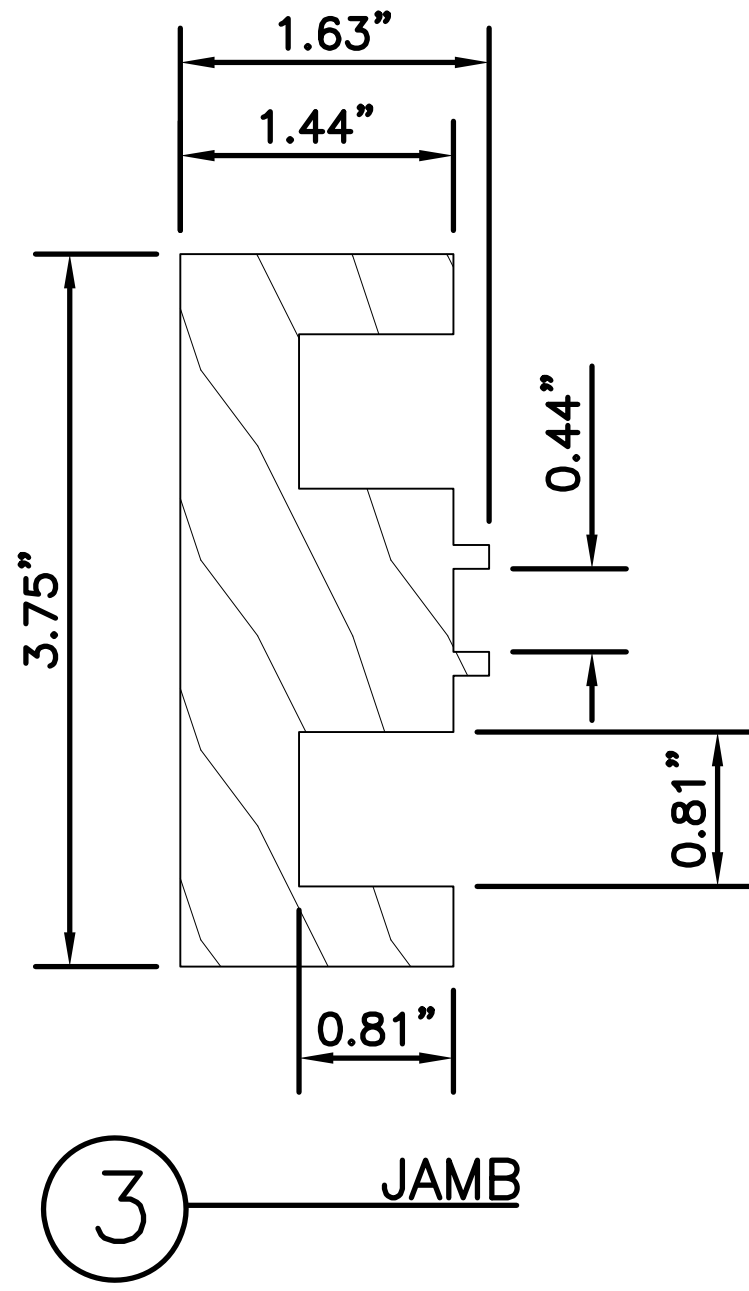
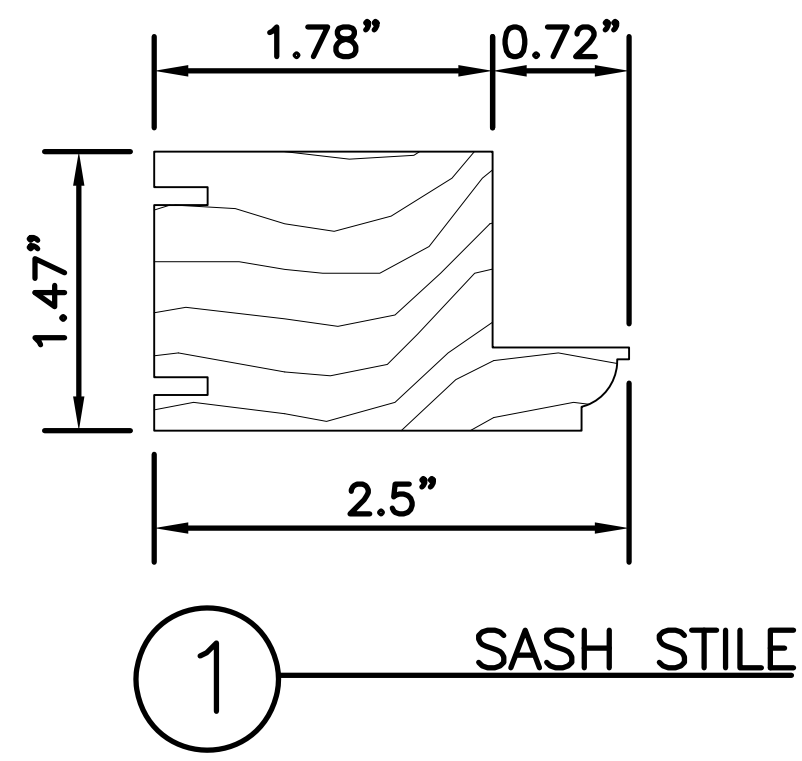
Date: 05-07-14
Scale: None
Drawn: JDS

BUCK & FRAME ANCHORING

Dwg. DH-ArchBal

FL34941.3

Sheet No.
5D OF 7



02/16/2021

TE&C
 LUCAS A. TURNER, P.E. FL PE 58201
 TURNER ENGINEERING & CONSULTING, INC.
 FBPE COA #29779 PH. 941-380-1574
 2428 OLD NATCHEZ TRACE TRAIL
 CAMDEN, TN 38320

OWW LLC
 3001 Tuxedo Ave., West Palm Beach, FL 33405
 Ph. 561-478-7233 Fax 561-478-7858

Product: SERIES 4500
 ARCH TOP DOUBLE HUNG BALANCE WINDOW

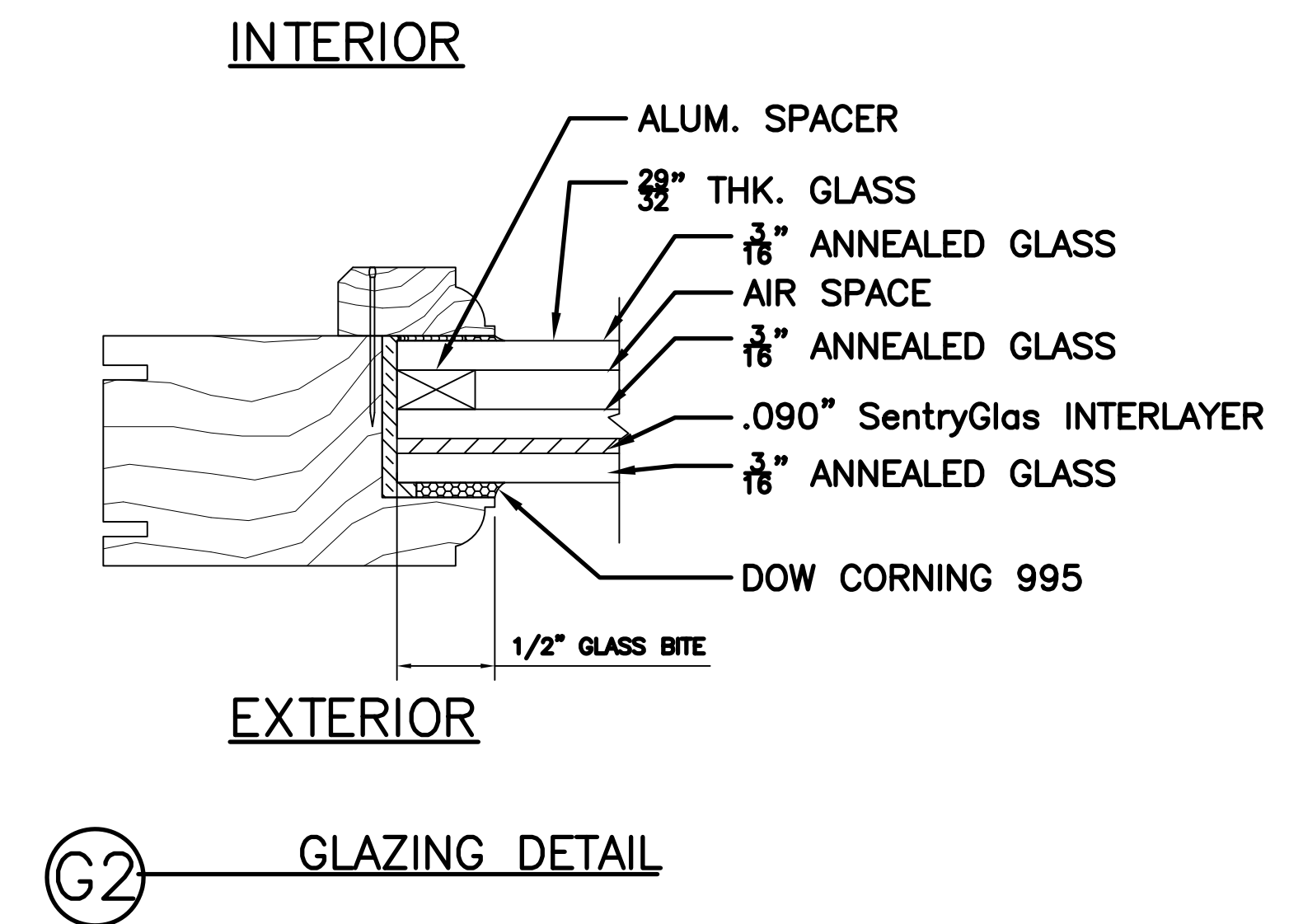
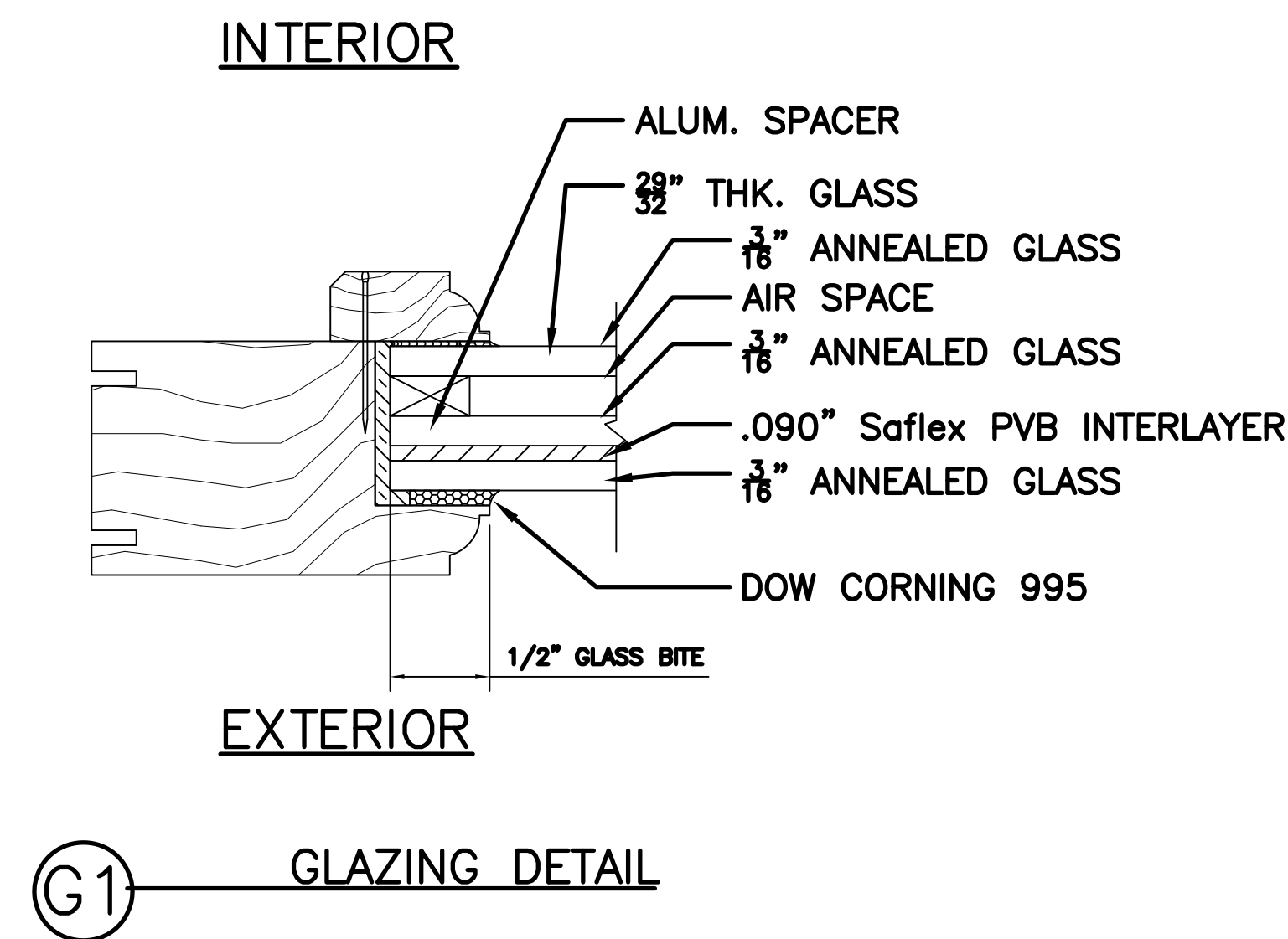
COMPONENTS

Date: 05-07-14
 Scale: None
 Drawn: JDS

Dwg. DH-ArchBal
 FL34941.3

Sheet No.
 6D OF 7

BILL OF MATERIALS		
ITEM #	DESCRIPTION	MATERIAL
A	1X BUCK (SG>=0.42)	WOOD
B	2X BUCK (SG>=0.42)	WOOD
C	1/4" MAX.SHIM SPACE	-
E	MASONARY - 3,000 PSI MIN. CONCRETE CONFORMING TO ACI 301 OR HOLLOW BLOCK CONFORMING TO ASTM C90	CONCRETE
G	23GA X 1" BRAD	STEEL
1	SASH STILE	WOOD
2	ANCHOR BRACKET (Simpson Strong-Tie A23Z)	STEEL
3	JAMB	WOOD
4	GLAZING BEAD	WOOD
6	WEATHERSTRIP QEZD100 BY SCHLEGEL	FOAM
8	HEADER EXTERIOR SASH STOP	WOOD
9	HEADER INTERIOR SASH STOP	WOOD
10	MEETING RAIL	WOOD
11	#8 X 3/4" LATH SCREWS	WOOD
12	BOTTOM SASH TOP RAIL	WOOD
13	BOTTOM SASH BOTTOM RAIL	WOOD
14	SILL EXTENDER	WOOD
15	ULTRA-LIFT SPIRAL TUBE BALANCE BY CALDWELL	-
16	EXTERIOR SASH STOP	WOOD
17	TOP SASH BOTTOM RAIL	WOOD
19	FRAME HEADER	WOOD
20	INTERIOR SASH STOP	WOOD
21	PARTING STOP	WOOD
24	TOP SASH TOP RAIL	WOOD
25	GATE HOUSE SASH LOCK, MOD #837773	-
30	BOTTOM RAIL STOP	WOOD
31	SILL	WOOD
36	#8 X 2" PFH WOOD SCREW	STEEL
37	#8 X 1-1/4" PFH WOOD SCREW	STEEL
38	#8 X 3/4" PFH WOOD SCREW	STEEL
39	#8 X 1" PFH WOOD SCREW	STEEL
40	#8 X 1-1/2" PFH WOOD SCREW	STEEL
41	#8 X 2-1/2" PFH WOOD SCREW	STEEL



NOTE: GLAZING LARGER THAN 36" WIDE REQUIRES TWO (2) SETTING BLOCKS CONFORMING TO FBC SECTION 2411.3.3.1.



02/16/2021

TE&C

LUCAS A. TURNER, P.E. FL PE 58201
TURNER ENGINEERING & CONSULTING, INC.
FBPE COA #29779 PH. 941-380-1574
2428 OLD NATCHEZ TRACE TRAIL
CAMDEN, TN 38320

OWW LLC

3001 Tuxedo Ave., West Palm Beach, FL 33405
Ph. 561-478-7233 Fax 561-478-7858

Product: SERIES 4500
ARCH TOP DOUBLE HUNG BALANCE WINDOW

Date: 05-07-14
Scale: None
Drawn: JDS

BILL OF MATERIALS, COMPONENTS
& GLAZING DETAILS

Dwg. DH-ArchBal
FL34941.3
Sheet No.
7D OF 7