

ANY AND ALL CONFIGURATIONS CAN BE MODIFIED TO MEET DESIGN INTENT

SINGLE OUTSWING DOORS

NOTE: SHOWN WITH OLIVERI NARROW-LINE CONFIGURATION

PART DESCRIPTION	SIZE
MAX. UNIT WIDTH	50 3/8"
MAX. UNIT HEIGHT	122"
STILES / TOP RAIL	3 1/2"
BOTTOM RAIL	6"
MAX. DESIGN PRESSURE	+60.0 -60.0

SINGLE INSWING DOORS

NOTE: SHOWN WITH OLIVERI NARROW-LINE CONFIGURATION

PART DESCRIPTION	SIZE
MAX. UNIT WIDTH	50 3/8"
MAX. UNIT HEIGHT	122"
STILES / TOP RAIL	3 1/2"
BOTTOM RAIL	6"
MAX. DESIGN PRESSURE	+60.0 -60.0

FRENCH OUTSWING DOORS

NOTE: SHOWN WITH OLIVERI NARROW-LINE CONFIGURATION

PART DESCRIPTION	SIZE
MAX. UNIT WIDTH	99 1/2"
MAX. UNIT HEIGHT	122"
STILES / TOP RAIL	3 1/2"
BOTTOM RAIL	6"
MAX. DESIGN PRESSURE	+60.0 -60.0

FRENCH INSWING DOORS

NOTE: SHOWN WITH OLIVERI NARROW-LINE CONFIGURATION

PART DESCRIPTION	SIZE
MAX. UNIT WIDTH	99 1/2"
MAX. UNIT HEIGHT	122"
STILES / TOP RAIL	3 1/2"
BOTTOM RAIL	6"
MAX. DESIGN PRESSURE	+60.0 -60.0

INSWING/OUTSWING WITH SIDELITES AND TRANSOMS

NOTE: SHOWN WITH OLIVERI NARROW-LINE CONFIGURATION

SIDELITE PORTION		DOOR PORTION	
PART DESCRIPTION	SIZE	PART DESCRIPTION	SIZE
MAX. UNIT WIDTH	50 3/8"	MAX. UNIT WIDTH	99 1/2"
MAX. UNIT HEIGHT	122"	MAX. UNIT HEIGHT	122"
STILES / TOP RAIL	3 1/2"	STILES / TOP RAIL	3 1/2"
BOTTOM RAIL	6"	BOTTOM RAIL	6"
MAX. DESIGN PRESSURE	+60.0 -60.0	MAX. DESIGN PRESSURE	+60.0 -60.0

ARCH TOP INSWING/OUTSWING WITH SIDELITES AND TRANSOMS

SIDELITE PORTION		DOOR PORTION	
PART DESCRIPTION	SIZE	PART DESCRIPTION	SIZE
MAX. UNIT WIDTH	50 3/8"	MAX. UNIT WIDTH	99 1/2"
MAX. UNIT HEIGHT	122"	MAX. UNIT HEIGHT	122"
STILES / TOP RAIL	3 1/2"	STILES / TOP RAIL	3 1/2"
BOTTOM RAIL	6"	BOTTOM RAIL	6"
MAX. DESIGN PRESSURE	+60.0 -60.0	MAX. DESIGN PRESSURE	+60.0 -60.0

BI-FOLDING PANEL SYSTEM #1

PART DESCRIPTION	SIZE
MAX. UNIT WIDTH	340 3/4"
MAX. UNIT HEIGHT	126 1/4"
STILES / TOP RAIL	8 1/2"
BOTTOM RAIL	8 1/2"
MAX. DESIGN PRESSURE	+55.0 -55.0

BI-FOLDING PANEL SYSTEM #2

PART DESCRIPTION	SIZE
MAX. UNIT WIDTH	171 1/2"
MAX. UNIT HEIGHT	126 1/4"
STILES / TOP RAIL	4"
BOTTOM RAIL	8 3/4"
MAX. DESIGN PRESSURE	+60.0 -60.0

LIFT AND SLIDE DOOR SYSTEM

(UNLIMITED MULTIPLE UNITS IN HORIZONTAL DIRECTION ALLOWED OUTSIDE OF MIAMI)

PART DESCRIPTION	SIZE
MAX. UNIT WIDTH	240"
MAX. UNIT HEIGHT	144"
STILES / TOP RAIL	4"
BOTTOM RAIL	8 3/4"
MAX. DESIGN PRESSURE	+60.0 -65.0

LIFT AND SLIDE DOOR SYSTEM WITH POCKET

PART DESCRIPTION	SIZE
MAX. UNIT WIDTH	236 7/8"
MAX. UNIT HEIGHT	144"
STILES / TOP RAIL	4"
BOTTOM RAIL	8 3/4"
MAX. DESIGN PRESSURE	+60.0 -65.0

BI-FOLD AND LIFT & SLIDE CAN BE CONFIGURED WITH RAIDUS, EYEBROW OR RECTANGULAR TRANSOM TO 4FT

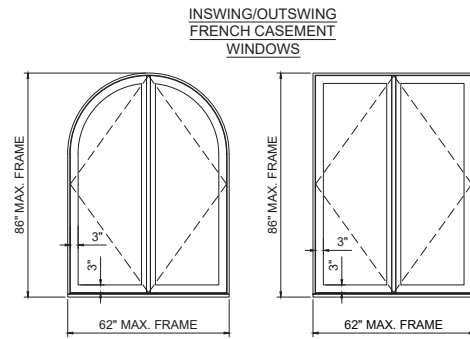
EXCELLENCE IN THE PALM BEACH TRADITION SINCE 1981

WWW.OLIVERIMILLWORKS.COM

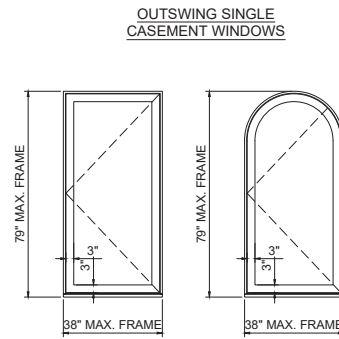
3001 TUXEDO AVE WEST PALM BEACH, FL 33405 | 561-478-7233



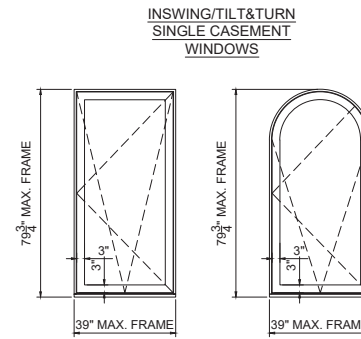
ANY AND ALL CONFIGURATIONS CAN BE MODIFIED TO MEET DESIGN INTENT



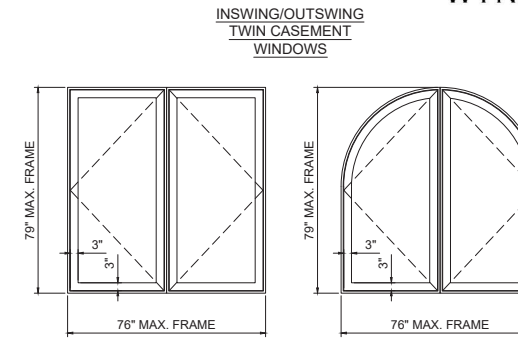
PART DESCRIPTION	SIZE
MAX. UNIT WIDTH	62"
MAX. UNIT HEIGHT	86"
STILES / TOP RAIL	3"
BOTTOM RAIL	3"
MAX. DESIGN PRESSURE	+75.0 -75.0



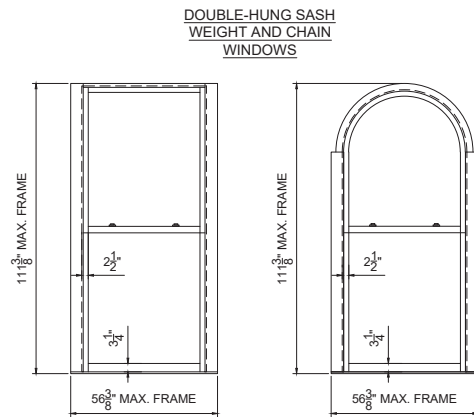
PART DESCRIPTION	SIZE
MAX. UNIT WIDTH	38"
MAX. UNIT HEIGHT	79"
STILES / TOP RAIL	3"
BOTTOM RAIL	3"
MAX. DESIGN PRESSURE	+75.0 -75.0



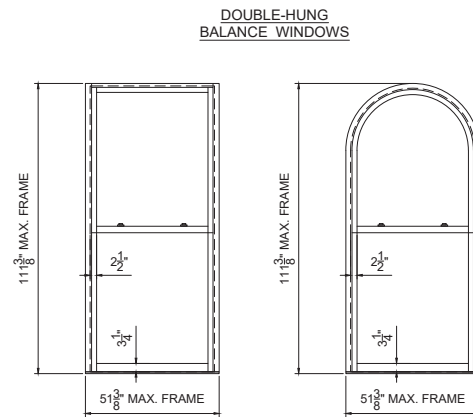
PART DESCRIPTION	SIZE
MAX. UNIT WIDTH	39"
MAX. UNIT HEIGHT	79 3/4"
STILES / TOP RAIL	3"
BOTTOM RAIL	3"
MAX. DESIGN PRESSURE	+75.0 -75.0



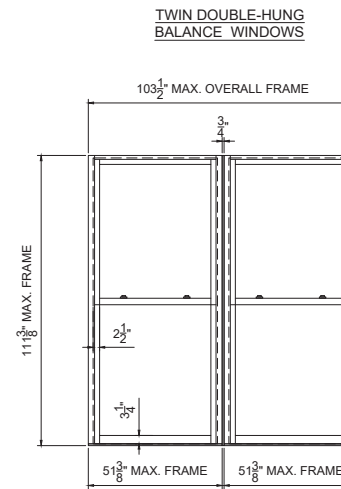
PART DESCRIPTION	SIZE
MAX. UNIT WIDTH	76"
MAX. UNIT HEIGHT	79"
STILES / TOP RAIL	3"
BOTTOM RAIL	3"
MAX. DESIGN PRESSURE	+75.0 -75.0



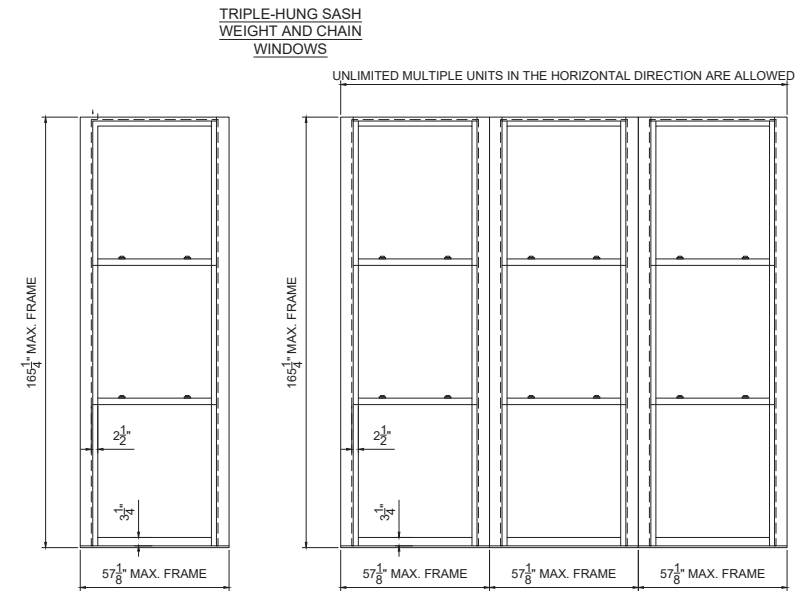
PART DESCRIPTION	SIZE
MAX. UNIT WIDTH	56 3/8"
MAX. UNIT HEIGHT	111 3/8"
STILES / TOP RAIL	2 1/2"
BOTTOM RAIL	3 1/4"
MAX. DESIGN PRESSURE	+60.0 -65.0



PART DESCRIPTION	SIZE
MAX. UNIT WIDTH	51 3/8"
MAX. UNIT HEIGHT	111 3/8"
STILES / TOP RAIL	2 1/2"
BOTTOM RAIL	3 1/4"
MAX. DESIGN PRESSURE	+60.0 -65.0



PART DESCRIPTION	SIZE
MAX. UNIT WIDTH	103 1/2"
MAX. UNIT HEIGHT	111 3/8"
STILES / TOP RAIL	2 1/2"
BOTTOM RAIL	3 1/4"
MAX. DESIGN PRESSURE	+47.0 -50.0



PART DESCRIPTION	SIZE
MAX. UNIT WIDTH	57 1/8"
MAX. UNIT HEIGHT	165 1/4"
STILES / TOP RAIL	2 1/2"
BOTTOM RAIL	3 1/4"
MAX. DESIGN PRESSURE	+70.0 -75.0

EXCELLENCE IN THE PALM BEACH TRADITION SINCE 1981

WWW.OLIVERIMILLWORKS.COM

3001 TUXEDO AVE WEST PALM BEACH, FL 33405 | 561-478-7233

