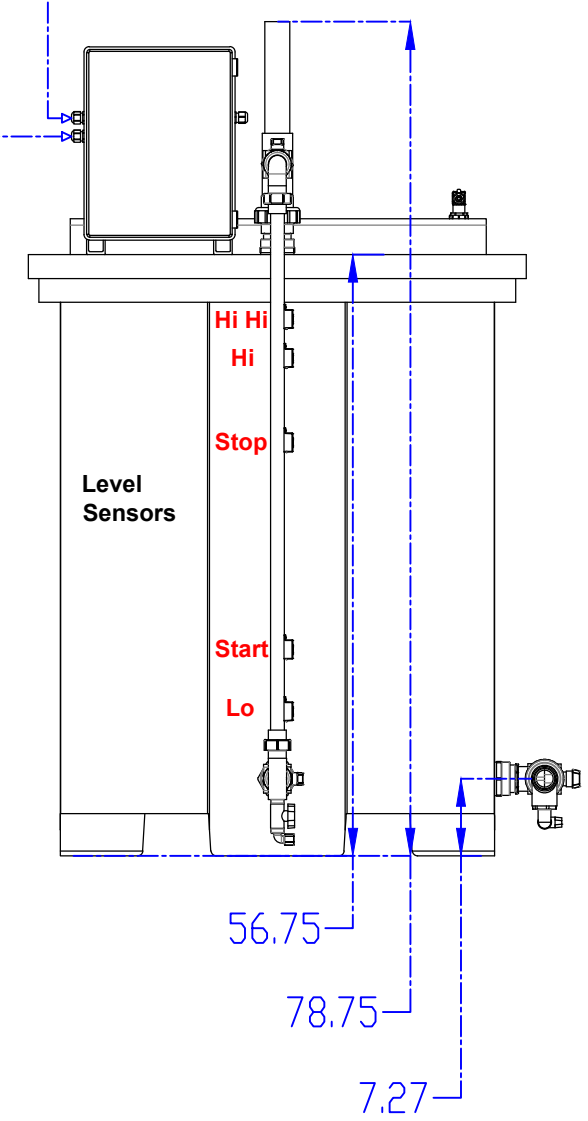


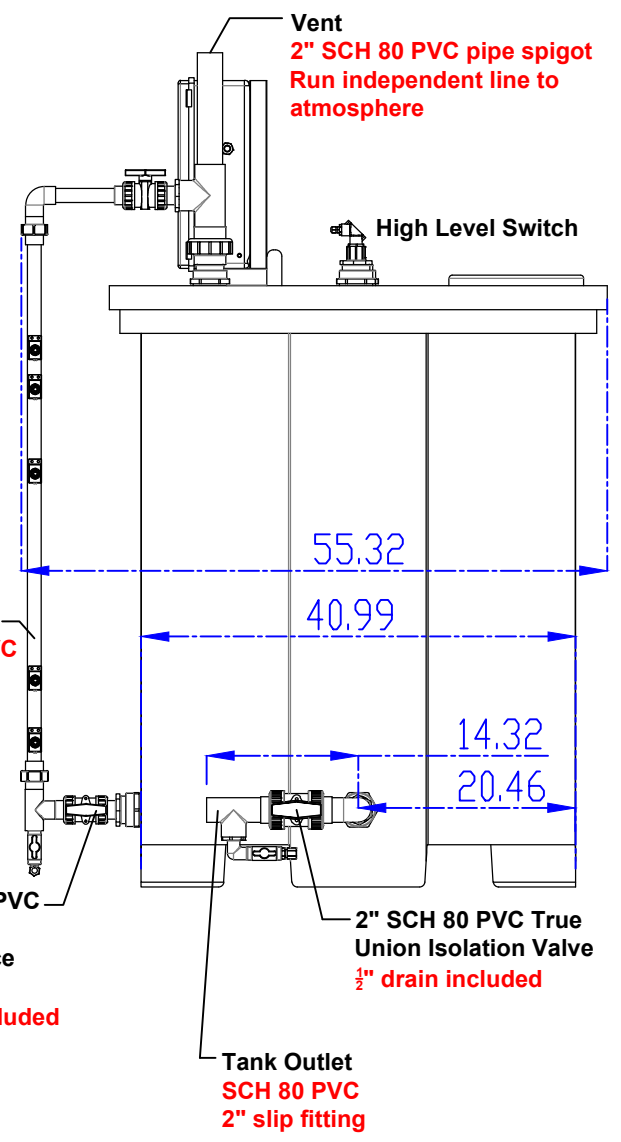
110-230VAC  
 15 Amps  
 4C/16 AWG Cable Min  
 2 Black, 1 White, 1 Green

4 Port Ethernet Switch  
 Provides day tank status



Vent  
 2" SCH 80 PVC pipe spigot  
 Run independent line to atmosphere

High Level Switch

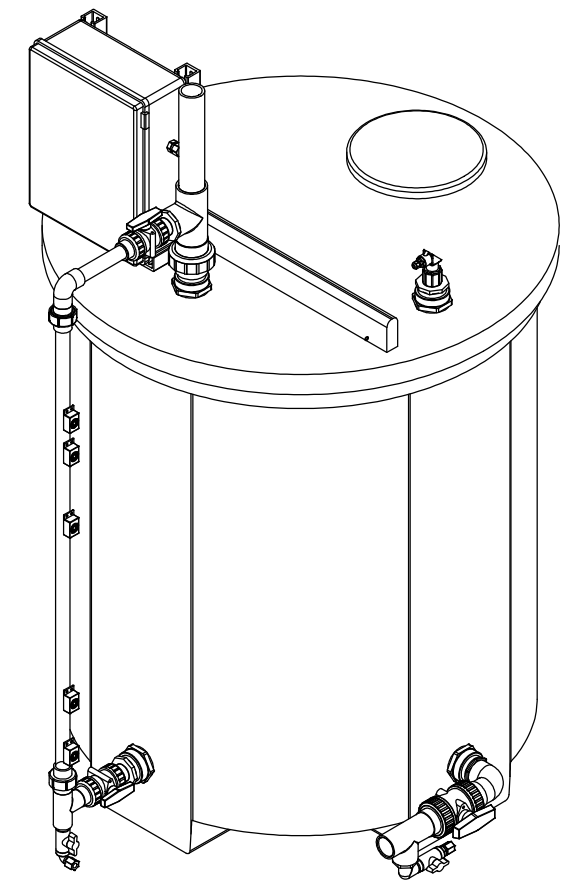


Sight Tube  
 1" Clear PVC

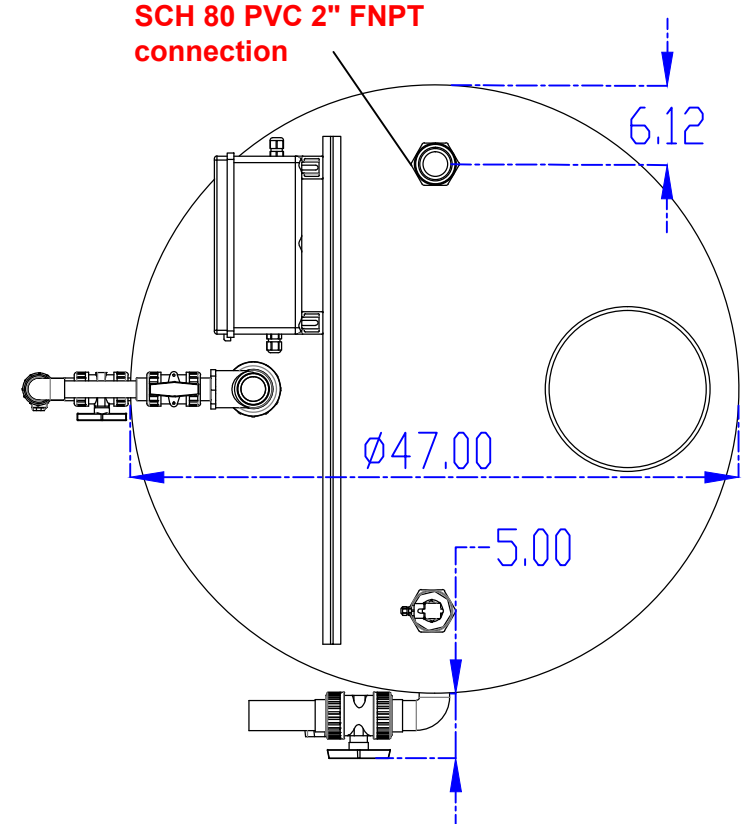
1" SCH 80 PVC True Union Maintenance Valve  
 1/2" drain included

2" SCH 80 PVC True Union Isolation Valve  
 1/2" drain included

Tank Outlet  
 SCH 80 PVC  
 2" slip fitting



Tank Inlet with Dip Tube  
 SCH 80 PVC 2" FNPT connection



No.	Date	Description	By
Nil	11/19/2015	Initial issue	WKH
REVISIONS			

PureLine Treatment Systems

275 gallon Chlorine Dioxide Generator Day Tank

Pure Line

CONFIDENTIAL  
 THIS DOCUMENT, INCLUDING THE INFORMATION, DATA, AND DESIGN IS THE PROPERTY OF PURELINE TREATMENT SYSTEMS LLC. IT IS NOT TO BE COPIED, REPRODUCED OR THE CONTENTS DIVULGED WITHOUT THE EXPRESS WRITTEN PERMISSION OF PURELINE TREATMENT SYSTEMS LLC.