



<https://www.floridaappliances.com/product/countertop-nugget-ice-dispenser/>

# FDFM1JA01 Portable Nugget Ice Dispenser Quickstart Guide

## INSTALLATION REQUIREMENTS

### Clearance Requirements

<b>CAUTION</b>	This unit is designed for countertop installation only.
----------------	---------------------------------------------------------

- Do not block the air vent on left side.
- Allow for minimum 12 inches of clearance on the left side.
- Allow for minimum 1/2 inch of clearance on the right side.
- Allow for minimum 2 inches of clearance on the back.
- Allow for minimum 1/2 inch of clearance on the top.

### Electrical Requirements

<b>DANGER</b>	It is required that you connect this unit only to a GFCI protected receptacle. It is strongly recommended that you do not use an adapter or an extension cord to connect this unit because of potential safety hazards.
---------------	-------------------------------------------------------------------------------------------------------------------------------------------------------------------------------------------------------------------------

- A dedicated 120V, 60Hz, 15A fused, grounded electrical supply is required. It is recommended that a separate circuit serving only your appliance be provided.
- Only connect to properly polarized outlets.
- Use outlets that cannot be turned off by a switch.
- Only plug the unit into a grounded 3 prong outlet.

## USE OF DISPENSER

<b>NOTE</b>	Flush the unit with clean potable water once a week to prevent high water TDS and hardness. Descale the unit with citric acid once a month to prevent sediment building up. Sanitize the unit with chlorine bleach once a month to prevent bacteria growing.
-------------	--------------------------------------------------------------------------------------------------------------------------------------------------------------------------------------------------------------------------------------------------------------------

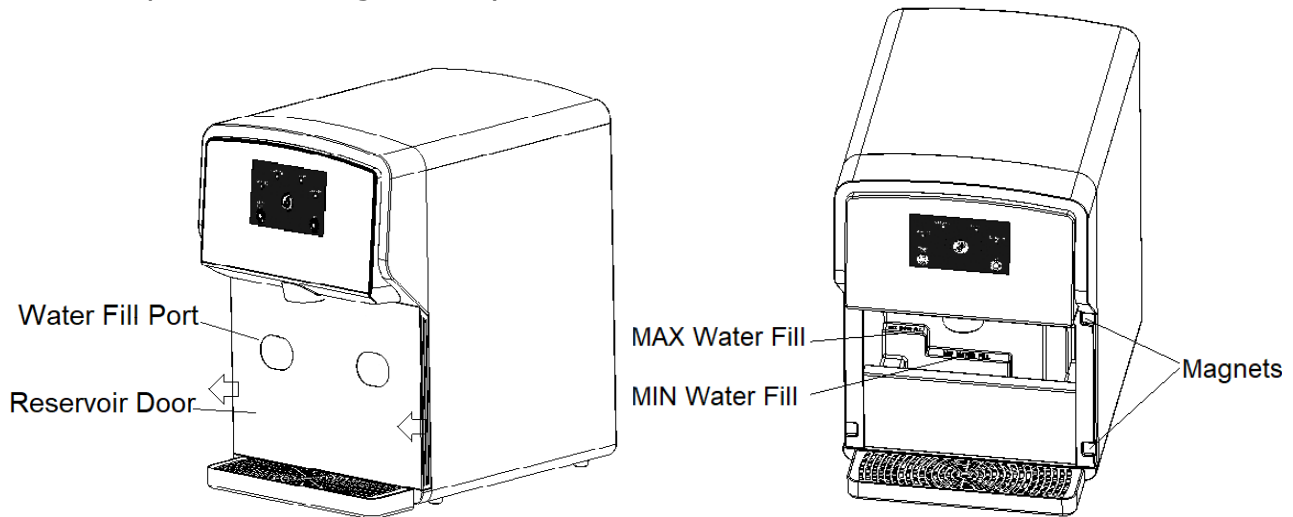
<b>NOTE</b>	Use potable water only. Water TDS level must be 5~400 mg/L or PPM. Water Hardness must be no greater than 10 grains/gal (180 mg/L).
-------------	-------------------------------------------------------------------------------------------------------------------------------------------

## FIRST TIME USE

**For the first time use flush the unit following instructions below.  
For the first time use dispense several cups of ice and then discard them.  
Do not overfill the reservoir otherwise it may overflow when ice melts completely.**

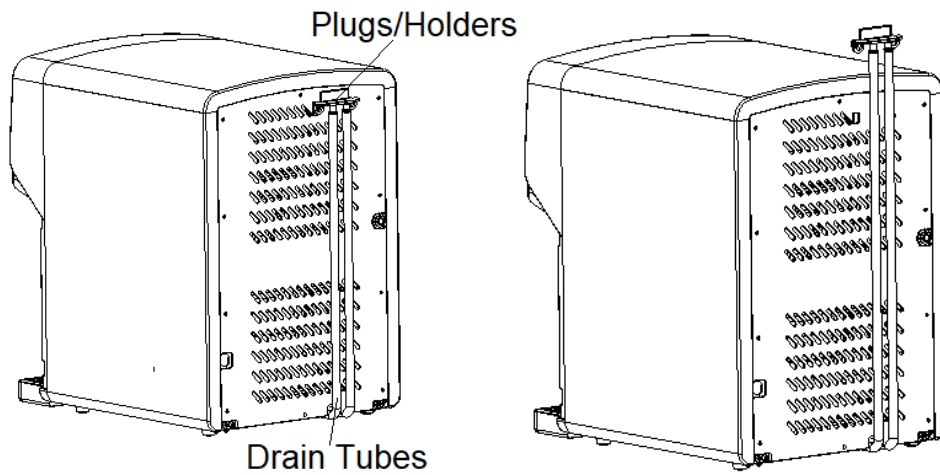
### 1. Filling the water reservoir for the first time use

- Remove the reservoir door by pulling its two sides outwards.
- Add potable water to MAX WATER FILL.
- Replace the magnetically attached door.



### 2. Flushing the unit for the first time use

- Plug the unit into power.
- Press and hold the Clean button for 3 seconds to start the Cleaning mode for flushing process.
- Unplug the unit when the flushing process is complete (it takes 30 minutes and the Cleaning LED goes off).
- Pull the drain tubes with plugs/holders out of the unit back and lower them to a bucket or sink.
- Disconnect the plugs/holders to release water.
- Reconnect the plugs/holders and put the tubes with plugs/holders back to the unit.

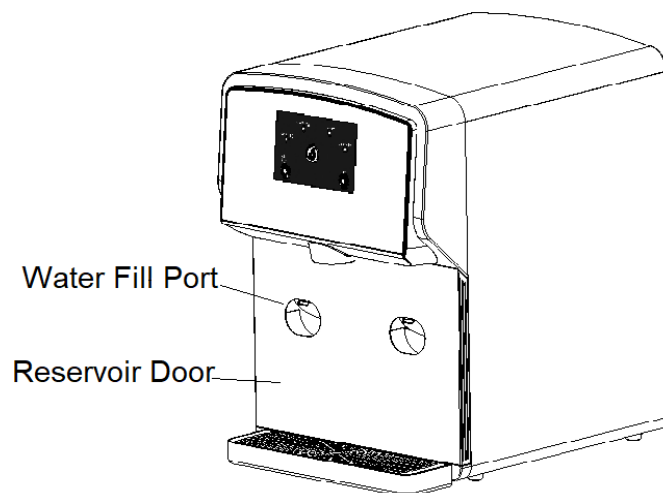


### 3. Making ice for the first time use

- Add potable water to the MAX WATER FILL.
- Plug the unit into power.
- Press the Make Nuggets button once to start making ice. The Making Ice LED will flash slowly to indicate the unit is currently making ice.

### Filling the water reservoir when the Water Level red LED flashes

<b>NOTE</b>	<p><b>Do not add water until Water Level red LED flashes.</b>  <b>Do not overfill the reservoir otherwise it may overflow when ice melts completely.</b></p>
-------------	------------------------------------------------------------------------------------------------------------------------------------------------------------------



- Push the fill port door to open.
- Add potable water using a funnel (not included) until the Water Level green LED illuminates along with 5 beeps.
- Release the fill port door to close.

Or

- Remove the reservoir door to add potable water between MAX WATER FILL and MIN WATER FILL until you hear 5 beeps.