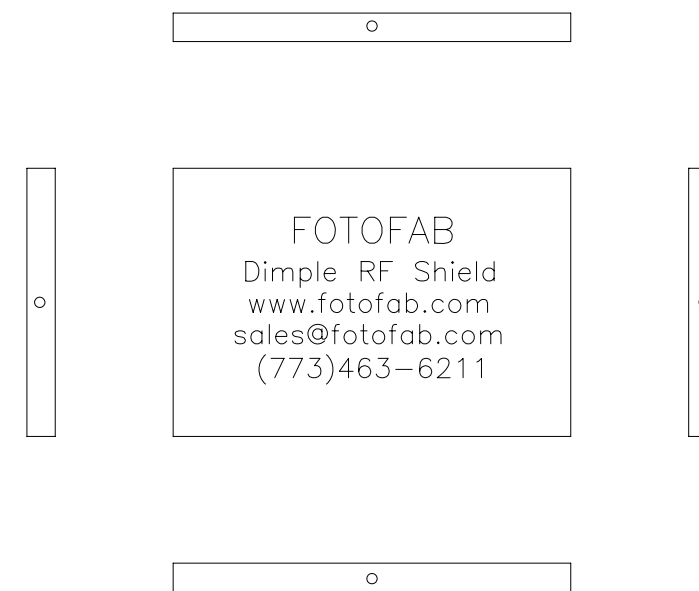
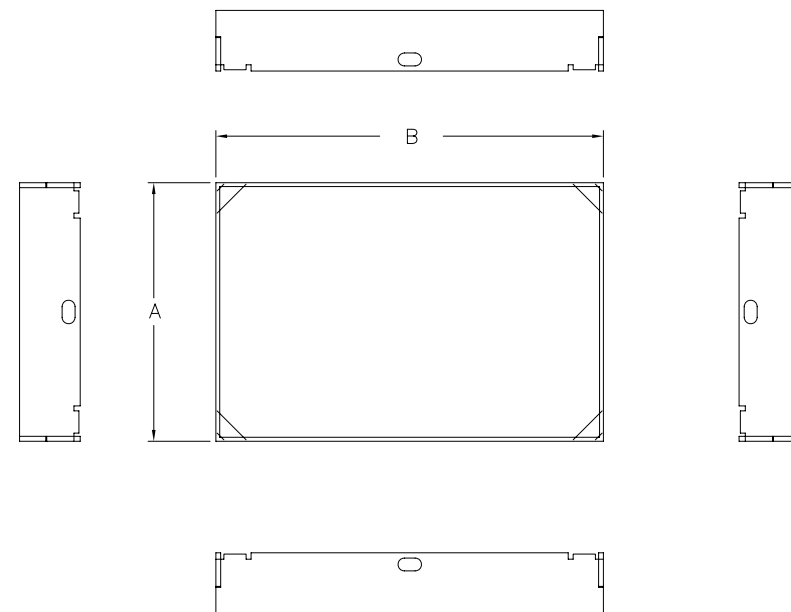
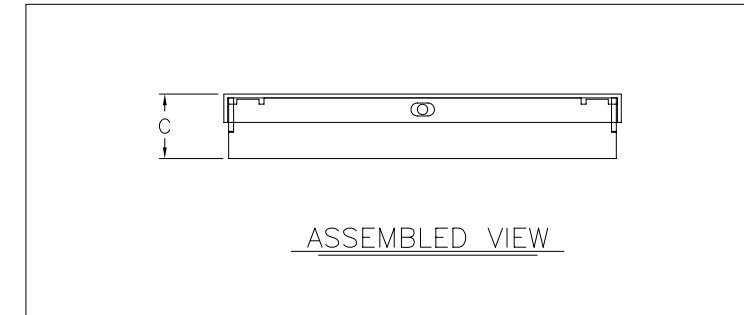


1. Dimensions are to finished outside edges
2. Lid and fence will be sold assembled

TABLE			
PART NUMBER	DIMENSIONS		
	Length-A	Width-B	Height-C
DMP-1.0x1.5x.25	1.00" (25.40mm)	1.50" (38.10mm)	0.25" (6.35mm)
DMP-1.0x1.0x.25	1.00" (25.40mm)	1.00" (25.40mm)	0.25" (6.35mm)
DMP-0.5x0.5x.25	0.50" (12.70mm)	0.50" (12.70mm)	0.25" (6.35mm)
DMP-0.5x1.0x.25	0.50" (12.70mm)	1.00" (25.40mm)	0.25" (6.35mm)



PROPRIETARY AND CONFIDENTIAL  
THE INFORMATION CONTAINED IN THIS  
DRAWING IS THE SOLE PROPERTY OF  
<INSERT COMPANY NAME HERE>. ANY  
REPRODUCTION IN PART OR AS A WHOLE  
WITHOUT THE WRITTEN PERMISSION OF  
<INSERT COMPANY NAME HERE> IS  
PROHIBITED.

		UNLESS OTHERWISE SPECIFIED:	NAME	DATE
		DIMENSIONS ARE IN INCHES TOLERANCES: FRACTIONAL ± ANGULAR: MACH ± BEND ± TWO PLACE DECIMAL ± THREE PLACE DECIMAL ±	DRAWN	
		INTERPRET GEOMETRIC TOLERANCING PER:	CHECKED	
		MATERIAL .015" Ni Silver 1/2 HD	ENG APPR.	
NEXT ASSY	USED ON	FINISH	MFG APPR.	
APPLICATION		DO NOT SCALE DRAWING	Q.A.	
			COMMENTS: FORMED DIMPLE DESIGN SHIELDS	

**FOTOFAB**

3758 W. Belmont Ave., Chicago, IL 60618-5292

TITLE: Dimple Shield

SIZE A	DWG. NO.	REV
-----------	----------	-----

SCALE: 1:1	WEIGHT:	SHEET 1 OF 1
------------	---------	--------------