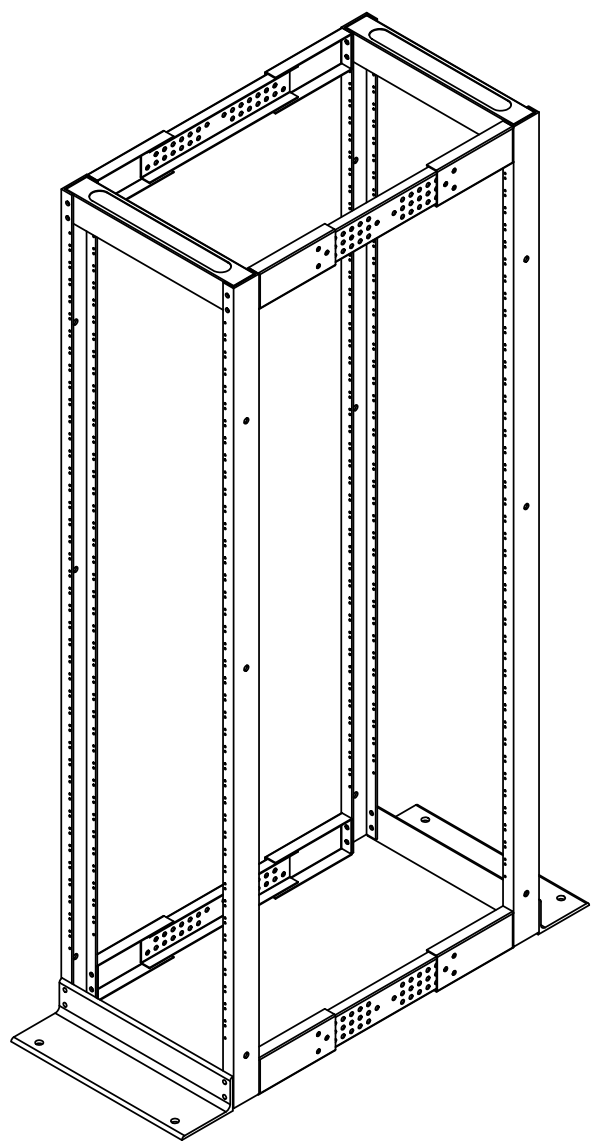
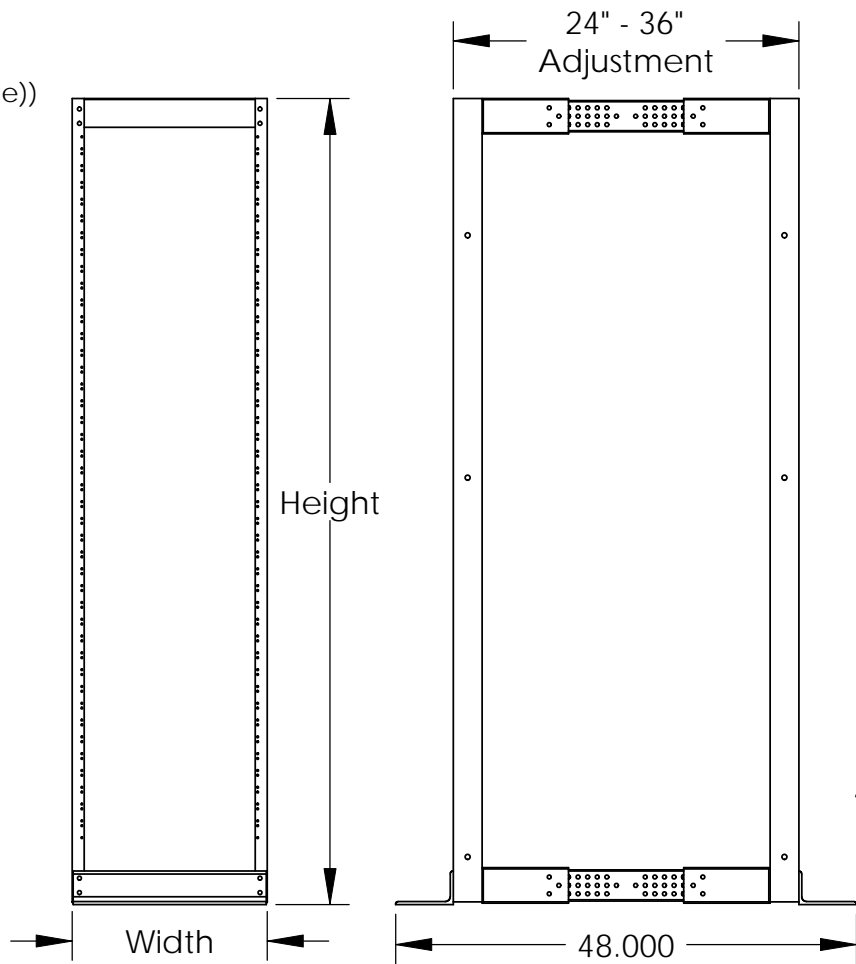


Part Number	Height	Depth	Material
4PAR84-19-(*)-ADJ	84"	20-5/16"	Aluminum
4PSR84-19-(*)-ADJ	84"	20-5/16"	Steel
4PAR84-23-(*)-ADJ	84"	24-5/16"	Aluminum
4PSR84-23-(*)-ADJ	84"	24-5/16"	Steel

* Hole Spacing Code

- E = EIA (1-1/4" - 1/2")
- I = IBM (5/8" - 5/8" - 1/2")
- W = WEC (1" - 1")
- C = COM (5/8" - 5/8" - 1/2" (sq. hole))



REVISIONS				
REV.	DESCRIPTION	DATE	APPR.	
	REMOVE ALL BURRS BREAK ALL SHARP EDGES			
	DO NOT SCALE DRAWING			
THE INFORMATION CONTAINED IN THIS DRAWING IS THE SOLE PROPERTY OF METAL-TECH PARTNERS. ANY REPRODUCTION IN PART OR WHOLE WITHOUT THE WRITTEN PERMISSION OF METAL-TECH PARTNERS IS PROHIBITED.				

THIRD ANGLE PROJECTION

UNLESS OTHERWISE SPECIFIED DIMENSIONS ARE IN INCHES. TOLERANCES ARE:

.X	+/- .125	ANGLES	+/- 2°
.XX	+/- .063		
.XXX	+/- .032		

APPROVALS	DATE
DRAWN XXX	XX-XX-XX
CHECKED	
Specification S004 Class Number	X
MATERIAL	Aluminum or Steel
FINISH	Powder Coat or Brushed
BEND RADII	.XXX

METAL-TECH PARTNERS

Four Post Adjustable Relay Rack

SIZE DWG. NO. **A 4P#R84-##-(*)-ADJ** REV. **0**

SCALE X:X PROG #: XXXX SHEET 1 OF 1