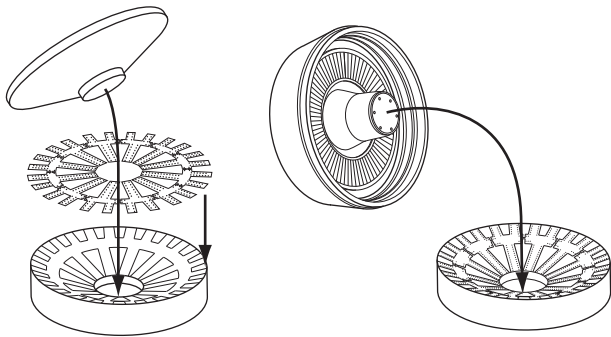


Carefully test fit parts before gluing or painting! Wash parts with warm soapy water before starting. Avoid breathing dust created while sanding. Use Cyano-Acrylate (superglue) or epoxy to glue parts. Use care, the thin parts are brittle. Use hot water if you need to fix any warps. Have fun!

Test fit and paint the resin parts before using the photo-etch! Use extreme care!! The photo-etch is very fragile!!!

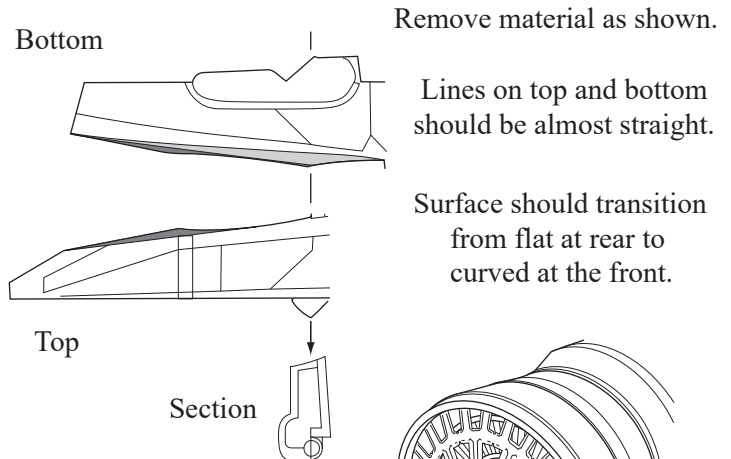


Place etch in lower fixture with etched details facing down. Squeeze photo-etch between fixture pieces.

Use upper fixture to hold etch while painting.

Place turbine fan piece onto fixture with etch. Make sure the etch is aligned and press. Remove the fixture.

Apply small drops of superglue to attach the etch to the turbine fan piece.



Bottom

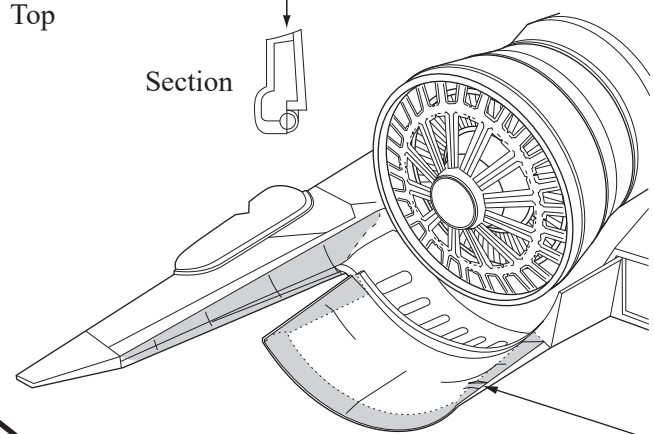
Remove material as shown.

Lines on top and bottom should be almost straight.

Surface should transition from flat at rear to curved at the front.

Top

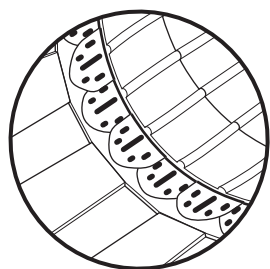
Section



Thin trailing edge of exhaust cover

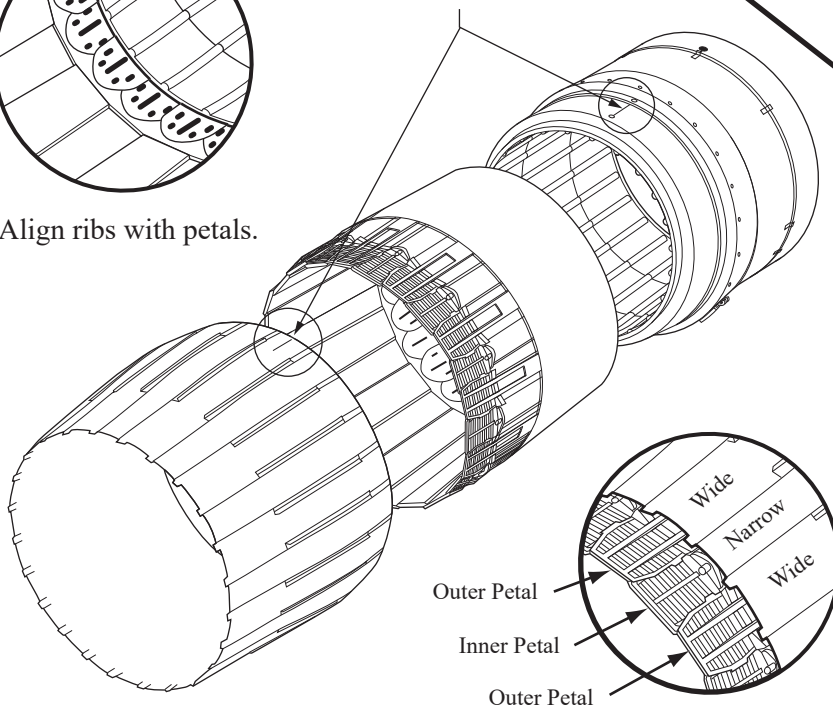
Thin side edges of underside of exhaust cover for extra realism.

Remove material on underside of cover to allow clearance for latch mechanism.

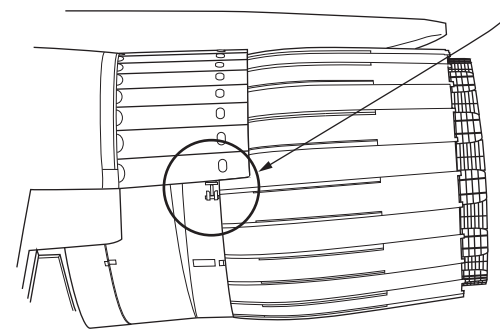


Align a wide exhaust petal with centerline.

Align ribs with petals.



Align wide feathers with wide outer petals and narrow feathers with inner petals.



Rotate assembly to align latch as shown. Glue in place.