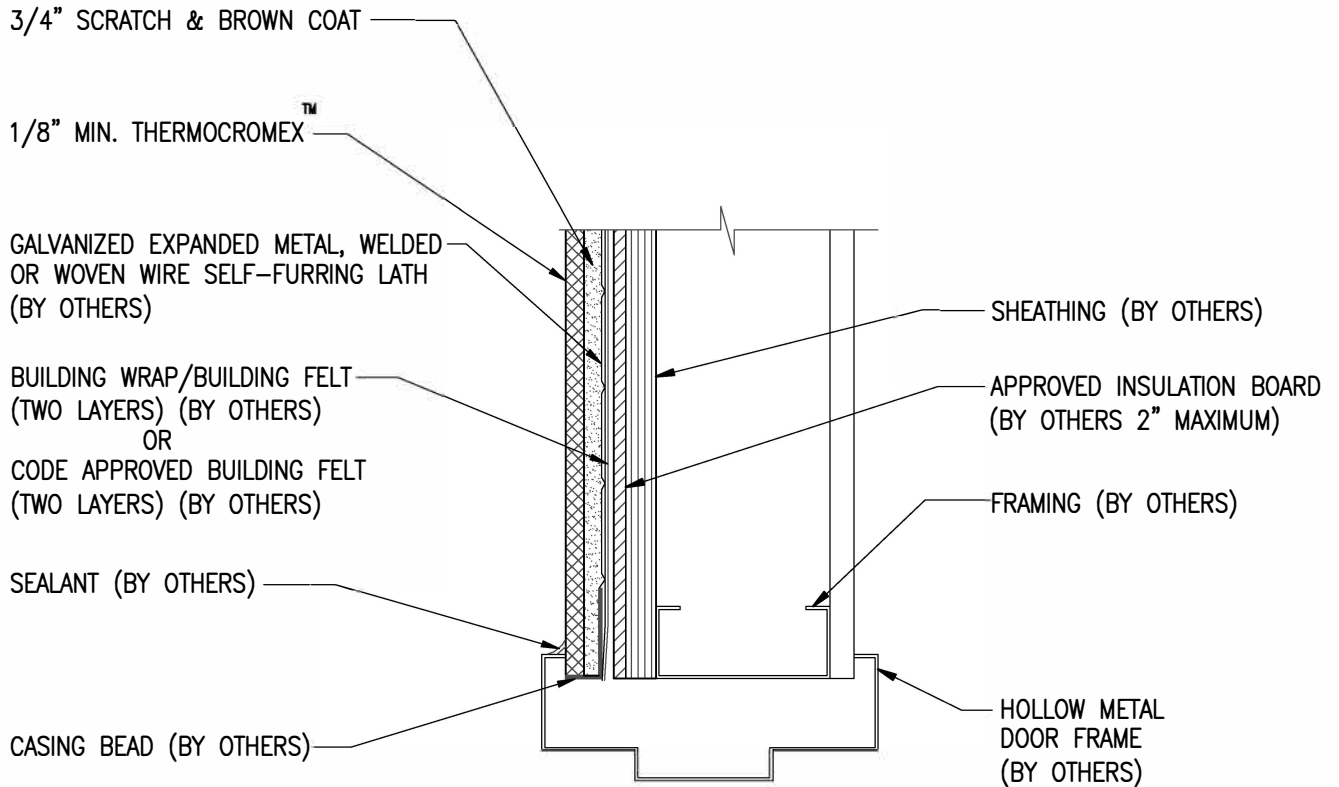


THERMOCROMEX OVER FRAME & SHEATHING TERMINATION AT HOLLOW METAL DOOR



SCALE = 3" = 1'-0"