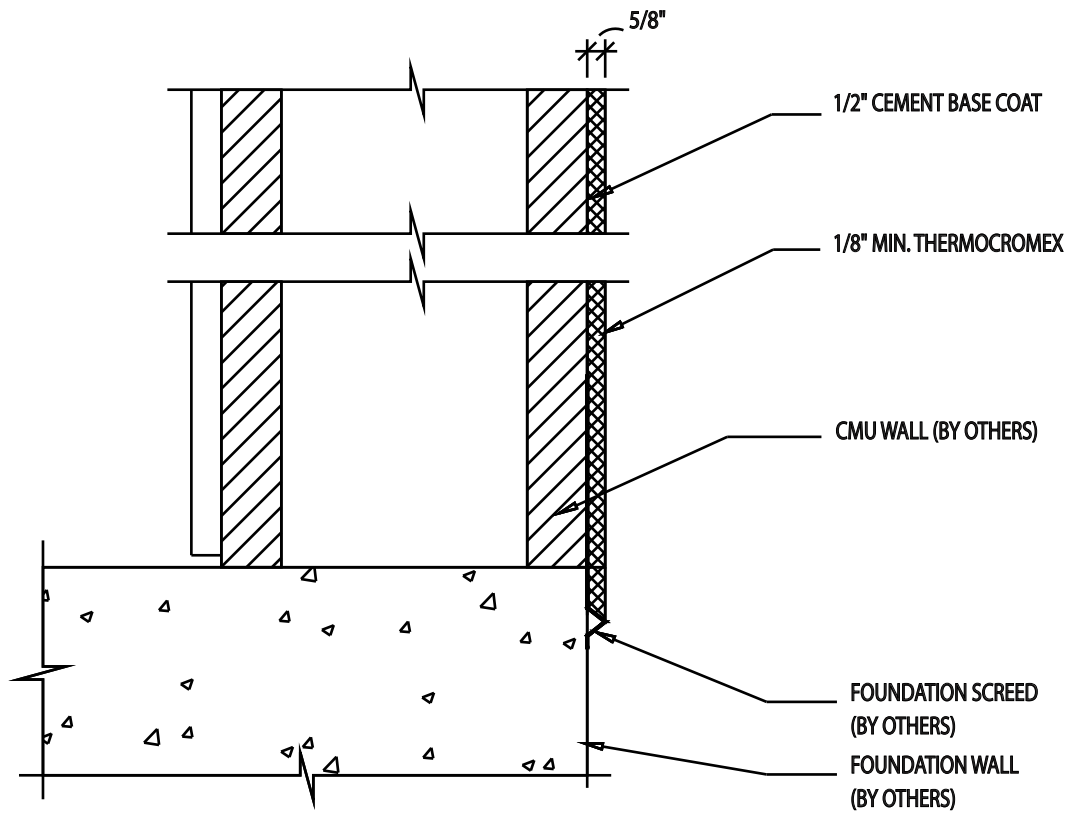


**THERMOCROMEX- CMU ECONOMY
FOUNDATION SCREED
AT CONCRETE FOUNDATION**



SCALE = 3" = 1'-0"