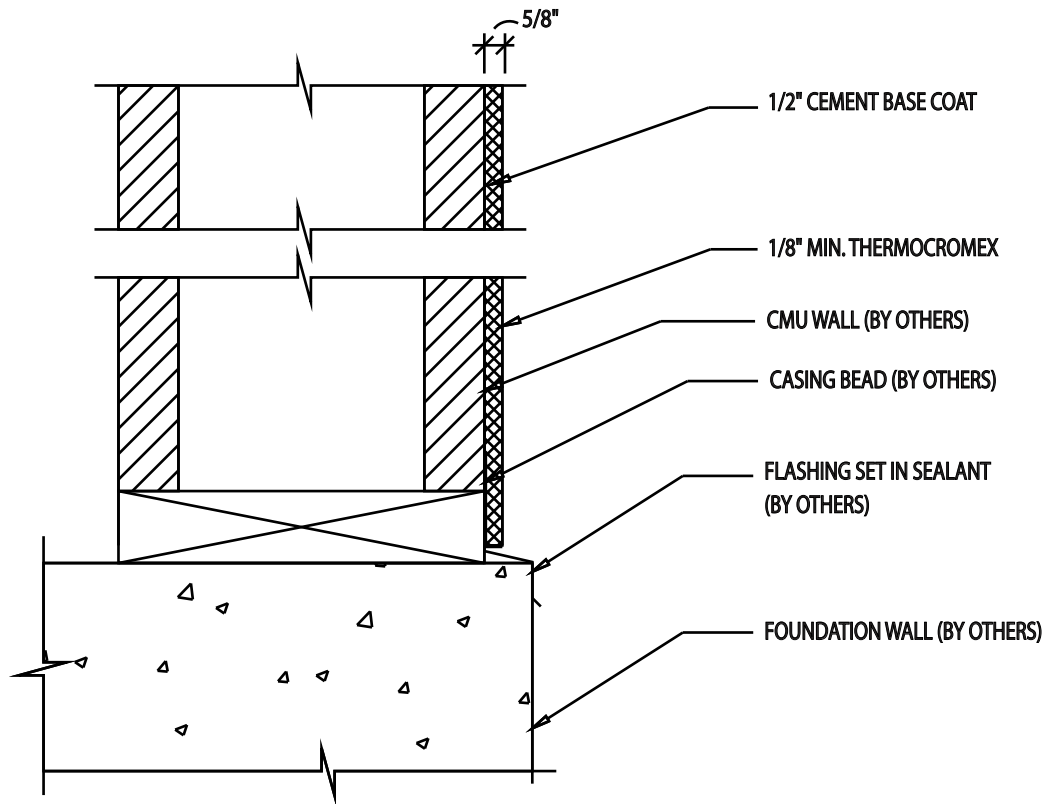


**THERMOCROMEX- CMU ECONOMY
CASING BEAD AT
CONCRETE FOUNDATION**



SCALE = 3" = 1'-0"