



US008154424B2

(12) **United States Patent**
Selevan

(10) **Patent No.:** **US 8,154,424 B2**
(45) **Date of Patent:** **Apr. 10, 2012**

(54) **SEQUENCED VEHICULAR TRAFFIC GUIDING SYSTEM**

(76) Inventor: **James R. Selevan**, Laguna Beach, CA (US)

(*) Notice: Subject to any disclaimer, the term of this patent is extended or adjusted under 35 U.S.C. 154(b) by 323 days.

(21) Appl. No.: **12/381,565**

(22) Filed: **Mar. 14, 2009**

(65) **Prior Publication Data**
US 2009/0231159 A1 Sep. 17, 2009

Related U.S. Application Data
(60) Provisional application No. 61/069,473, filed on Mar. 15, 2008.

(51) **Int. Cl.**
G08G 1/095 (2006.01)
(52) **U.S. Cl.** **340/907**; 340/931; 340/932; 340/908; 340/953; 340/956; 116/18; 116/26; 116/27; 116/31; 116/63 R; 362/249.06; 362/249.14; 362/559

(58) **Field of Classification Search** 340/907, 340/931, 932, 908.1, 953, 956, 642; 116/18, 116/26, 27, 31, 63 R, 63 P, 63 C, 63 T; 362/249.06, 362/249.14, 559
See application file for complete search history.

(56) **References Cited**
U.S. PATENT DOCUMENTS
3,500,378 A 3/1970 Pickering et al.
3,787,867 A * 1/1974 Dodge et al. 340/985
4,132,983 A * 1/1979 Shapiro 340/331

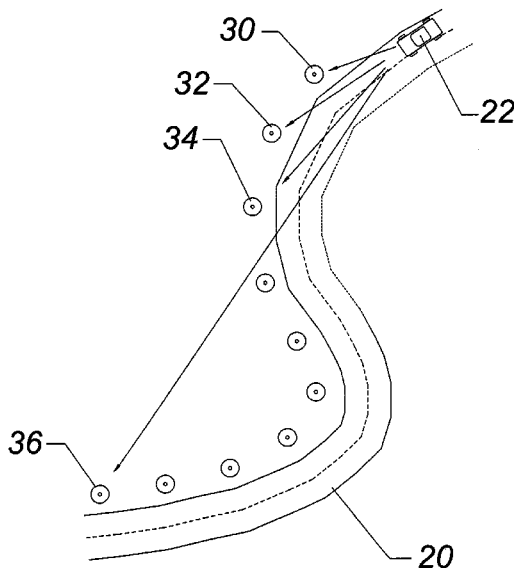
4,827,245 A 5/1989 Lipman
6,929,378 B2 * 8/2005 Wang 362/153.1
2002/0154787 A1 * 10/2002 Rice et al. 381/124
2002/0175831 A1 * 11/2002 Bergan et al. 340/908.1
2003/0164666 A1 * 9/2003 Crunk 313/113
* cited by examiner

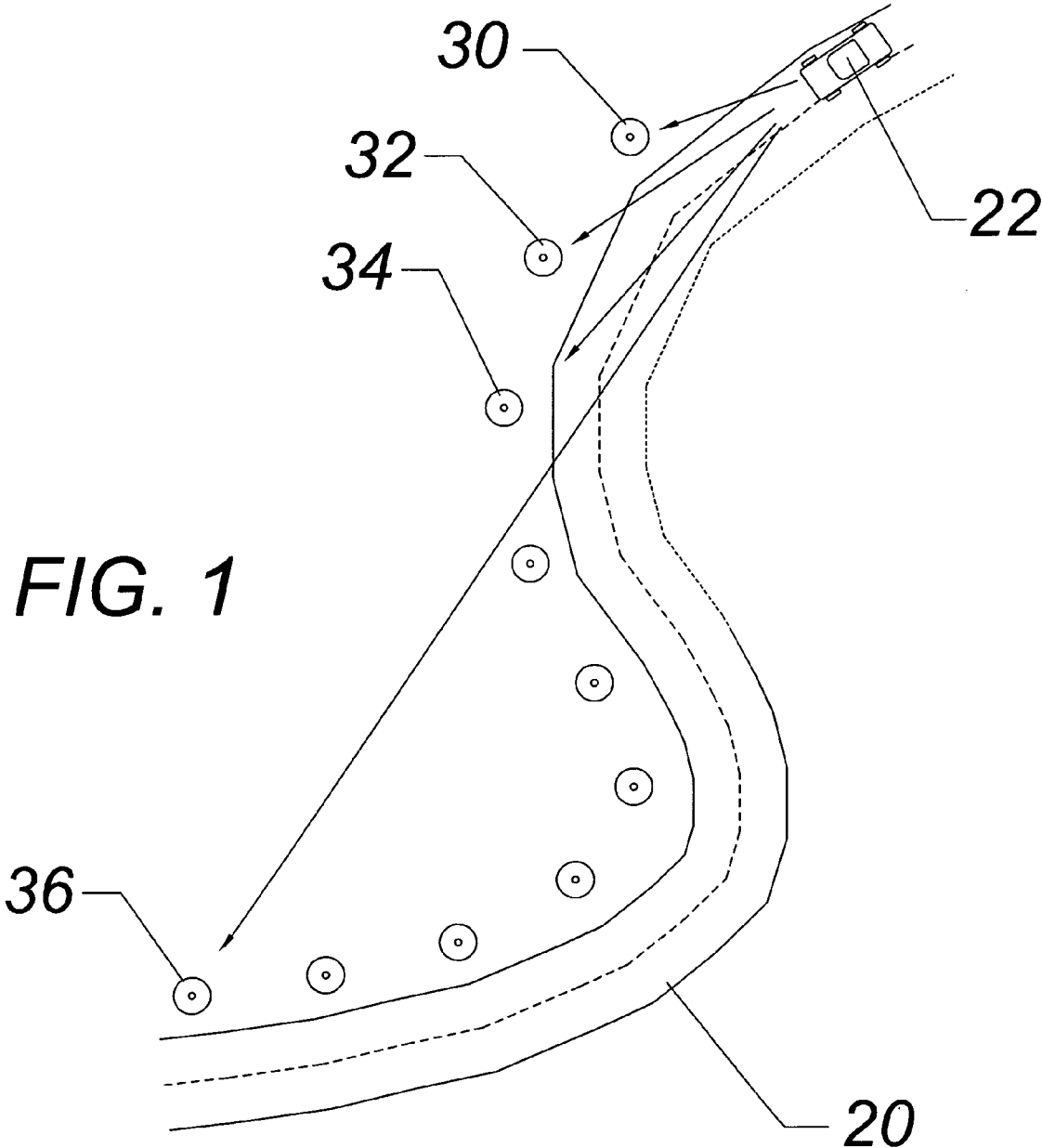
Primary Examiner — George Bugg
Assistant Examiner — Ojiako Nwugo
(74) *Attorney, Agent, or Firm* — Robert D. Buyan; Stout, Uxa, Buyan & Mullins, LLP

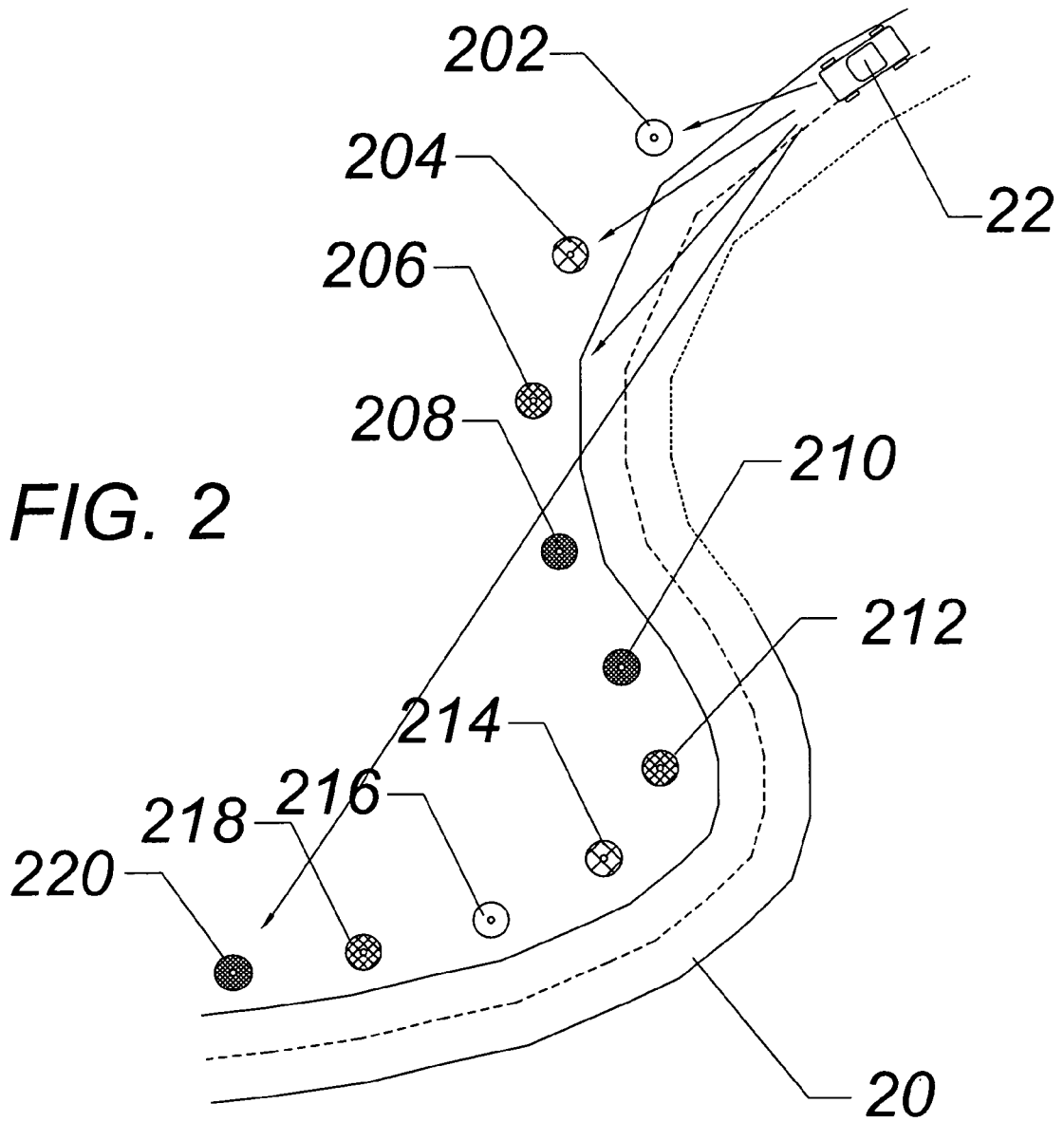
(57) **ABSTRACT**

A system of signal emitting modules is disclosed. The modules emit light or other signals to warn oncoming traffic that a road or other pathway has changed or is traversing a tortuous pathway. The modules are interconnected in a sequence so that they flash on and off in a pattern that leads the driver or observer along a path with less confusion than with randomly flashing or steady lights or reflectors. The modules are self-powered and can be arrayed first and programmed following deployment. The programming can be done with “mesh” technology, an external controller, or by dialing a specific number in each of a plurality of distributed controllers. The modules can improve highway safety by reducing driver confusion. The modules are arrayed to prevent a driver from seeing them from an oncoming direction. The driver coming from the opposite direction will have his or her own guiding system. The modules can also be deployed for use in nautical situations, to designate nautical obstructions (such as entering a harbor), shallow water, or other area of danger, and in the field of aviation to mark the direction and position of temporary runways or landing zones for both fixed wing and rotary wing aircraft.

16 Claims, 5 Drawing Sheets







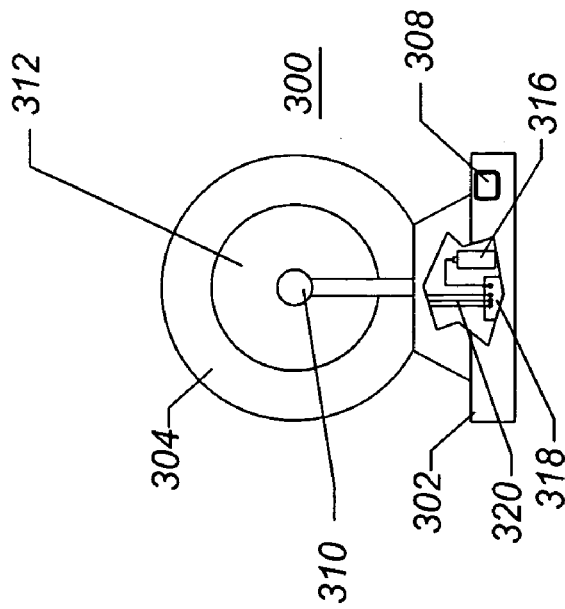


FIG. 3A

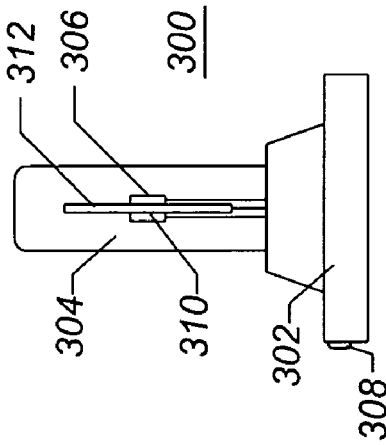


FIG. 3B

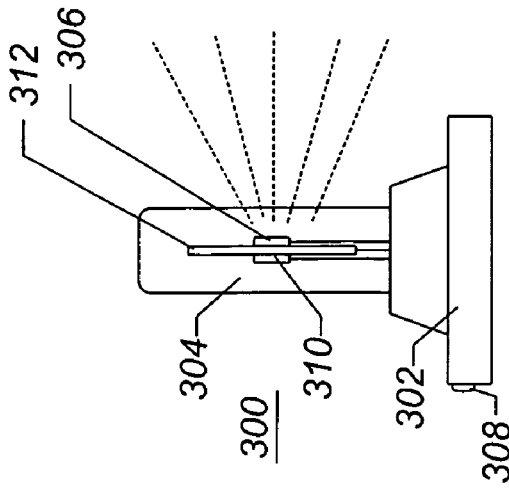
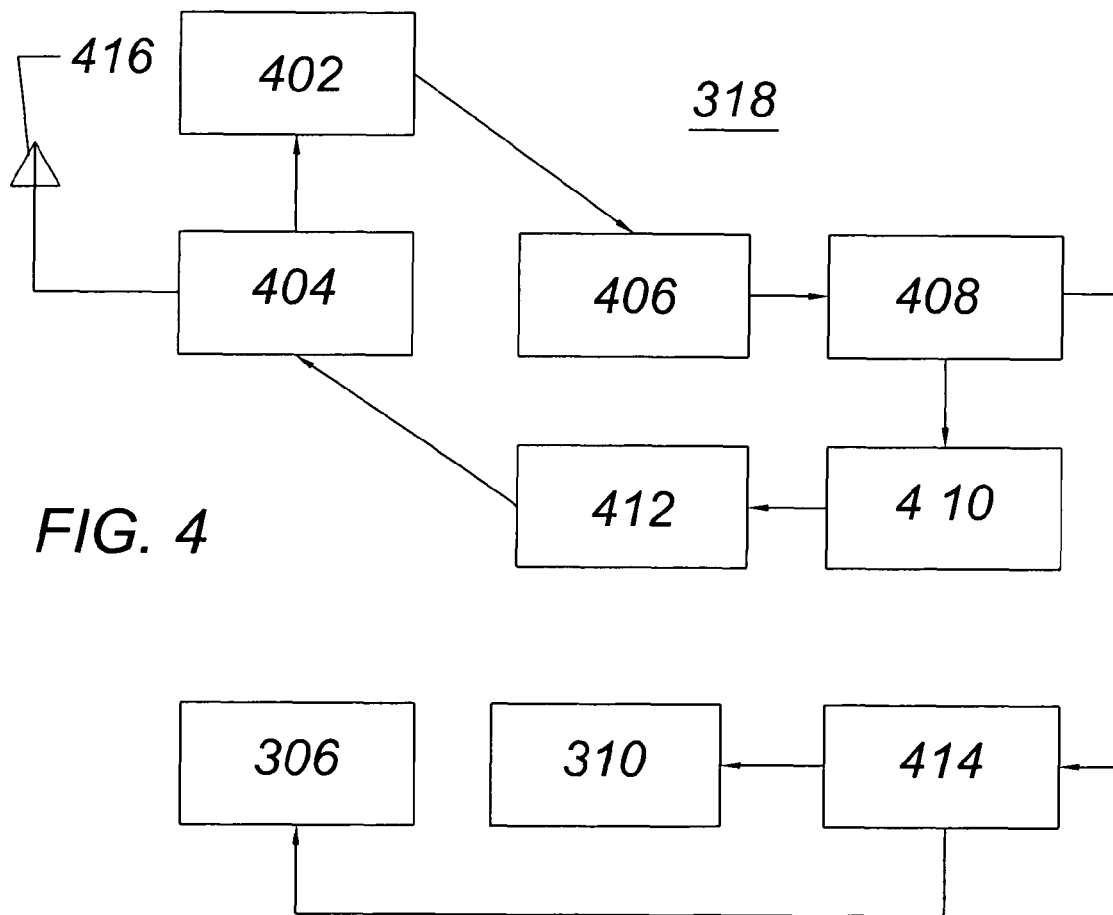


FIG. 3C



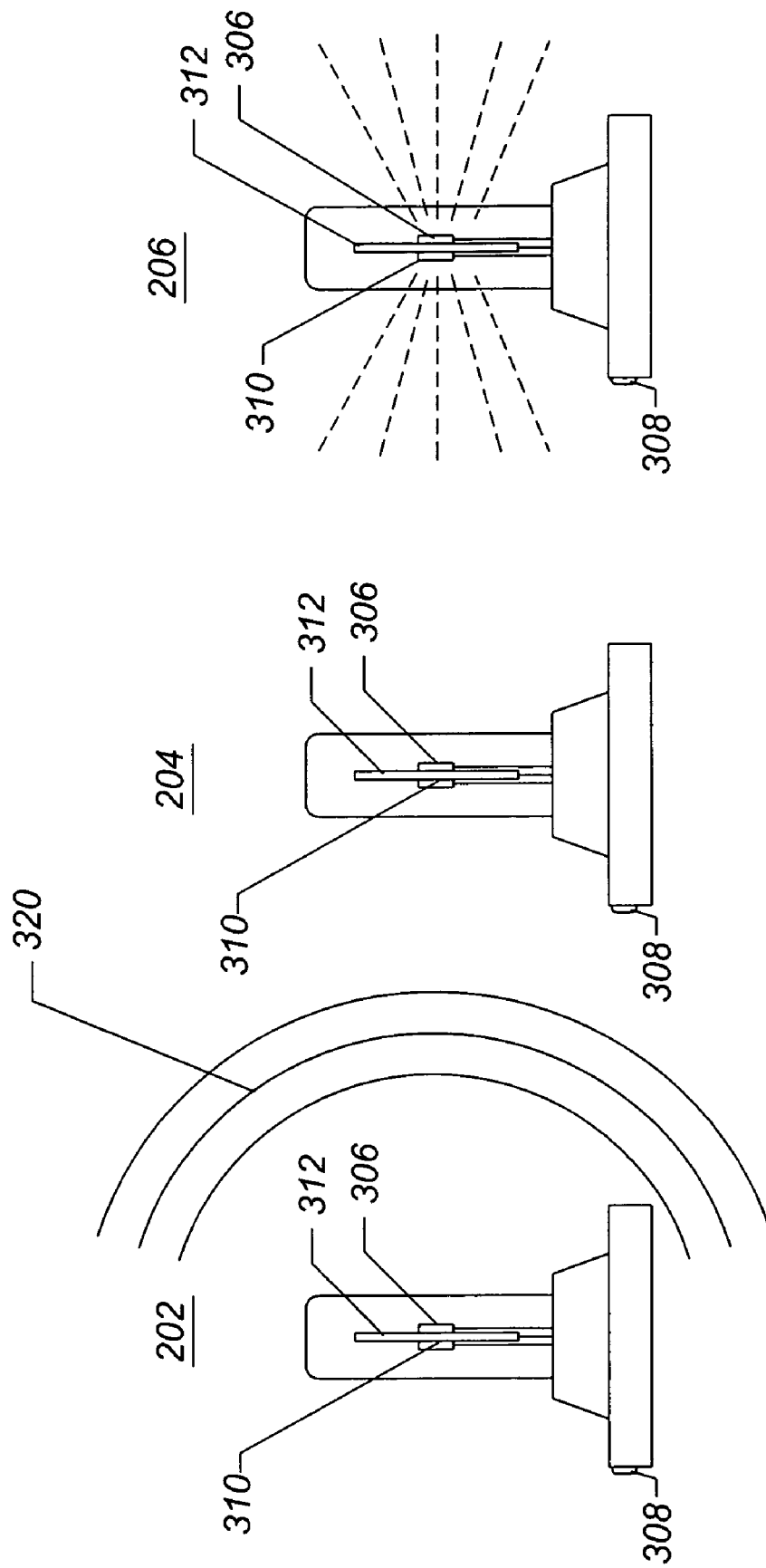


FIG. 5

1

SEQUENCED VEHICULAR TRAFFIC GUIDING SYSTEM

PRIORITY CLAIM

This application claims priority benefit under 35 USC § 119 (e) from U.S. Provisional Application No. 61/069,473 filed Mar. 15, 2008, entitled SEQUENCED VEHICULAR TRAFFIC GUIDING SYSTEM, the entire contents of which is hereby incorporated herein by reference.

FIELD OF THE INVENTION

This invention relates generally to devices and methods for traffic control to aid in navigation on land, sea, and air.

BACKGROUND OF THE INVENTION

Flashing orange traffic safety lamps are commonplace along highways and waterways. Passive cones are often used to mark the boundaries or edges of roadways. They are used during road construction, traffic detours, and for emergency to route traffic through unfamiliar redirection. These passive cones are typically used over an entire 24-hour period, which includes darkness and may include poor visibility. Always on, or blinking, lights or reflectors are often used to define the border of a road that has temporarily changed and no longer follows the path that drivers expect or have become use to seeing. As shown in FIG. 1, when the detour includes a curve, the flashing light can be seen across the curve, creating confusion and disorientation. Curved roads or pathways can cause more confusion than straight roads or pathways due to human inability to judge distances, especially at night. The size of the lights or markers may not appear to substantially change in size with increasing distance from the observer. In addition, nautical buoys used to guide vessels into harbors or around dangerous shallows can sometimes be confusing and difficult to interpret.

Current alternatives do not exist. Traffic is often controlled using large, trailer-like signs with electric generators or photocells that are towed behind a vehicle and left at the detour site. These signs create a large arrow that directs traffic, but the arrow does not guide the driver around a curve or through unfamiliar road courses. Similarly, nautical traffic entering a harbor is guided via buoys and shore-based lights, which when set upon the backdrop of terrestrial lighting, can be confusing. Similarly, emergency or temporary aircraft runways for military, civilian, police, and Coast Guard air equipment, both fixed wing and rotary wing, lack proper sequenced lights that designate direction and location of the runway. This invention provides a system that is both low in cost and easy to implement, one that can be deployed quickly when necessary to aid aviators when landing or taking off on open fields or highways.

SUMMARY OF THE INVENTIONS

The disclosure provided in the following pages describes examples of some embodiments of the invention. The designs, figures, and description are non-limiting examples of some embodiments of the invention. For example, the description of the traffic guiding system relates only to a description of some embodiments of the invention. Other embodiments of the traffic guiding system may or may not include the features disclosed herein. Moreover, disclosed

2

advantages and benefits may apply to only some embodiments of the invention, and should not used to limit the invention.

The inventions include a highway-traffic, aircraft traffic, or nautical warning system that, in an embodiment, comprises flashing lights or other signaling devices, with coordinated sequencing for aiding driver's or a helmsman's directional assessment and orientation. In an embodiment, the system can also comprise audible or auditory sirens, beepers, horns, or other output devices. The system can comprise a plurality of discreet modules, which work together, with the aid of a separate overall control module or by coordinated effort of distributed control modules operably connected to each of the system modules. By working together, the sequenced traffic lights permit an onlooker to visualize which modules are adjacent to each other simply by the order of flashing. This sequencing permits minimum confusion on the part of an onlooker who otherwise might determine that the wrong markers are adjacent because of viewing angle error, parallax, or other visual anomaly, especially when the markers are arranged in a curvilinear fashion.

By sequencing these lights or signaling devices, the driver, pilot, or helmsman can be guided along the proper path without the confusion associated with multiple, randomly flashing lights. Sequenced buoys would aid navigation close to shore. The sequencing system involves controlling the time at which each of the lights in a system can flash on and for what period of time the lights are turned on during the flash. The reader can best appreciate the intent of this new system by envisioning the commonly seen runway landing lights designating the beginning of the runway, which are typically a series of white lights sequenced to provide directional information for the approaching pilot. However, where this new system differs from the prior art is that all such sequenced lights as of this date are controlled via a physical connection between the lights, that is, a cable or wire connects the lights to provide the coordinating signal. This new device controls light-to-light sequencing using radio, infrared, or other wireless transmission means. Each light encompasses appropriate electronic circuitry to both receive and transmit necessary analog and digital information to the next light in sequence. Furthermore, and this is a critical advantage of this new invention, the lights do not have to be numbered, nor does a user have to set each light physically in a particular order. The design provides information inherent in the system, utilizing "mesh", or matrix, technology. There is no need for any user interface, such as a switch, to designate the number of each light. Adjacent lights or modules can be set to recognize their position in a sequence automatically such that the user need not physically set the sequence of module firing. This position recognition can be accomplished using proximity sensors, global positioning receivers, RFID devices, and the like.

In an embodiment, the optical signal emitted out one side of the device can be made visible only from that side and made invisible to those approaching from the other direction. Thus, the system can be made to signal independently, with separate signals or light sources, in different directions, for example, two opposite directions, simultaneously. Expanding upon this unique feature, it is important for the reader to understand that when implemented on a highway, for example, traffic moving in opposite directions will see a progression of flashing lights in their direction of travel. Thus, for example, traffic moving north will see a sequence of lights progressively flashing from south to north, while traffic moving south will see a progression of flashing lights moving from north to south, with both sequencing of lights occurring from the same devices at the same time.

For the purposes of summarizing the invention, certain aspects, advantages and novel features of the invention are described herein. It is to be understood that not necessarily all such advantages may be achieved in accordance with any particular embodiment of the invention. Thus, for example, those skilled in the art will recognize that the invention may be embodied or carried out in a manner that achieves one advantage or group of advantages as taught herein without necessarily achieving other advantages as may be taught or suggested herein. These and other objects and advantages of the present invention will be more apparent from the following description taken in conjunction with the accompanying drawings.

BRIEF DESCRIPTION OF THE DRAWINGS

A general architecture that implements the various features of the invention will now be described with reference to the drawings. The drawings and the associated descriptions are provided to illustrate embodiments of the invention and not to limit the scope of the invention. Throughout the drawings, reference numbers are re-used to indicate correspondence between referenced elements.

FIG. 1 illustrates a road with an approaching vehicle and a plurality of typical randomly flashing lights, which are currently used and which can cause confusion and disorientation to the vehicle driver, according to an embodiment of the invention;

FIG. 2 illustrates a road with an approaching vehicle and a plurality of sequenced lights, which can reduce the confusion to the vehicle driver, according to an embodiment of the invention;

FIG. 3A illustrates a front view of an exemplary signaling device, according to an embodiment of the invention;

FIG. 3B illustrates a side view of an exemplary signaling device, according to an embodiment of the invention;

FIG. 3C illustrates a side view of an exemplary signaling device with optical output only on one side and said optical output shielded from view from the other side of the device, according to an embodiment of the invention;

FIG. 4 illustrates a block diagram of the circuitry of the sequenced vehicle light system, according to an embodiment of the invention; and

FIG. 5 illustrates three sequenced lights configured for traffic flow visualization, according to an embodiment of the invention.

DETAILED DESCRIPTION OF THE PREFERRED EMBODIMENTS

The invention may be embodied in other specific forms without departing from its spirit or essential characteristics. The described embodiments are to be considered in all respects only as illustrative and not restrictive. The scope of the invention is therefore indicated by the appended claims rather than the foregoing description. All changes that come within the meaning and range of equivalency of the claims are to be embraced within their scope. Throughout the detailed description and remainder of this document, the author uses the term "traffic" to refer to motor vehicular, nautical, pedestrian, or aircraft movement.

FIG. 1 illustrates a road 20 with a vehicle 22 driving along the road 20 into a turn. A plurality of flashing markers, including markers 30, 32, 34, and 36, are distributed along side the road 20. These markers 30, 32, 34, 36 can be passive with no illumination or signaling, or they can flash in unsynchronized patterns, in unison, or the like. The driver (not shown) of the

vehicle 22 will see these markers and can easily be confused, especially at night, because the contour of the road and the turn may not be clear.

FIG. 2 illustrates a road 20 with a vehicle 22 moving along the road 20 into a turn. A plurality of sequenced flashing markers 202-220 is distributed along the road 20.

Referring to FIG. 2, the lights can be placed alongside a street 20. In this illustration, ten lights 202-220 are distributed around a double corner. The first light 202 is closest to the oncoming car 22 with a tenth light 220 being furthest from the oncoming car. The observer, traveling with the car 22, sees the first light 202 flash on and then turn off. The second light 204 can flash on and then off shortly after light number 202. The third light 206 flashes on and off slightly after light 204 and so on. The observer or driver of the vehicle 22 observes a pattern that guides the eye around the corner of the road 20 in a manner that is not confusing or subject to misinterpretation. The lights, in an embodiment, can further be shaped like arrows pointing in the desired direction of travel. The arrows can be simple chevron shapes or they can be arrows with pointed heads, axially linear bodies, and can even comprise tails. In another embodiment, some lights can be arranged in a group to form a pattern, such as an arrow, whereby all lights in a given pattern or grouping are synchronized to turn on and off at approximately the same time. Thus, although different patterns can turn on and off at different times, lights within the pattern can be linked electronically to turn on and off as a unit, or substantially simultaneously.

When a plurality, defined as a series of two or more, of flashing lights 202-220 are placed on the road 20 or in the water to define a route or detour, or on a temporary runway, sequencing of the flash of each light will aid the driver, pilot, or helmsman in determining the direction of travel. The minimum number of lights 202-220 in a given system is two, while the maximum is unlimited, but practically can include ten, or several hundred, or several thousand, lights over the course of 0.01 miles to 100 miles or more.

Each light 202-220 is controlled by a logic circuit. The first light in the sequence 202 can flash at a rate determined by the user. The rate can be pre-determined, pre-set, or set at the time of installation. When the light flashes on, it sends a signal, either by radio wave, infrared signal, or via hard wire to the next light in sequence, which delays a predetermined time interval before it flashes. Alternatively, the first light 202 can delay a given amount of time prior to sending its signal to the second light 204, and so forth. This 2nd light 204 then sends a signal via radio wave, infrared, or via hard wire to the 3rd light 206 in sequence, and so on. The delay between receiving the trigger signal from the light lower in sequence number and the initiation of the flash is user defined, and may range from milliseconds to several minutes.

FIG. 3A illustrates a front view of a signaling unit 300. The signaling unit 300 comprises a base 302, a signal shell 304, a light source 310, a shield 312, a controller 318, a power supply 316, an on-off switch 308, and an electrical bus 320.

Referring to FIG. 3A, the light source 310, optical output device, or signaling device can be incandescent, light emitting diodes, discharge tube, as in stroboscopic light, fluorescent, etc. The logic circuit or controller 318 can comprise an electronic circuit, further comprising digital, analog, or hybrid technologies. The controller 318 can be fabricated of discreet components or it can be fabricated as a monolithic module or chip that performs all or most of the required functions. The logic circuit or controller 318 further comprises input and output ports that are operably connected to the signaling device 310. The inputs can include electrical power from the power supply 316, control and command

5

input channels, on-off switching **308**, and signal receivers. The outputs can include signal transmitters and lights or other optical, audio or other sensory signaling devices.

The power supply **316** of the device can comprise one or more batteries, and can use rechargeable batteries or those that are to be discarded. The batteries or power supply **316** can be operably connected to the power input of each individual system. The power supply **316** can comprise photovoltaic cells (not shown), which may be used to recharge batteries, allowing for sunlight to provide power to the device. The controller can comprise photo detectors to provide the option of the user to have the sequencing and flashing of lights to turn on automatically at sunset, and to turn off at sunrise.

When using radio frequency to send the signal, the range is anticipated to be less than about 100 meters, allowing the use of low-wattage output transmitters. The system can operate using protocols and technologies such as Bluetooth™, Zig-Bee™, or other standardized short-range protocols in the radio frequency spectrum.

FIG. 3B illustrates a side view of a signaling unit **300**. The signaling unit comprises the base **302**, the on-off switch **308**, the lamp cover **304**, the second lamp **306**, the first lamp **310**, and the illumination shield **312**.

Referring to FIG. 3B, the shield **312** can be configured to prevent light from the output device **310** from being seen by an observer looking at the system **300** from a given direction. Thus, in an embodiment, the system **300** can have the option of emitting light in one direction only, providing guidance for traffic in one direction while not being visible by, and thus not having an impact on, traffic from another direction. In an embodiment, traffic coming from opposing directions (substantially 180 degrees apart) can both see the system light **310** but traffic only in the first direction can visualize the illuminated sequencing of the lights while the traffic from the other direction cannot see the lights **310**. Directionality can be maintained sufficiently to be visible from traffic with vectors separated by as little as 30 degrees or as much as 180 degrees. Such directionality can be accomplished with baffles, shields, lenses, or the like **312**. The system **300** can be incorporated in a unit that will mount onto existing traffic barriers, floating buoy, or incorporated into flexible orange (or other color) traffic cones. The baffles or shields **312** can have their orientation adjusted by installers, once the modules are in place, by rotating the baffles or shields **312** appropriately. In another embodiment, the baffles or shields **312** can automatically be adjusted by detection of the orientation of the other light modules in the system. In addition, the device can be constructed with two LEDs, **306** and **310** each facing in the opposite direction. The device can be programmed to provide proper sequencing for drivers approaching from opposite directions, that is, more than one signaling device **310** can be provided. Each LED or signaling device **310** can be independently linked to the preceding and trailing light **310** in sequence allowing for the progression of light **310** movement in opposite directions simultaneously.

Further referring to FIG. 3B, different color lights or LEDs, for example **306**, **310**, can be mounted inside the lamp housing **304** such that the sequence of lights could provide color patterns. For example, the standard color might be yellow, with every 5th light revealing red color, such that as the light sequence traverses a distance, every 5th light flashes red in progression.

FIG. 3C illustrates a signaling unit **300** when viewed from the side showing light being emitted from the second lamp **306** and visible only from that side of the shield **312**. No light coming from lamp **310** can be seen from the direction where lamp **306** shines.

6

FIG. 4 illustrates a block diagram of the electrical components of the controller **318**. The controller **318** comprises a radio frequency (RF) demodulator receiver **402**, an RF amplifier **404**, a decoder **406**, a micro controller **408**, an encoder **410**, an RF transmitter **412**, an LED driver **414**, a first LED **310**, a second LED **306**, and an antenna **416**.

The functional diagram of FIG. 4 reveals a radio receiver **402** that detects a digital code modulated on a radio frequency signal. This signal is demodulated, and the resulting digital code is provided as input to the decoder **406**. In an exemplary embodiment, each device transmits this code, three times. If the code matches the appropriate sequence number of this unit on all three occasions, then the microcontroller **408** provides a confirmation signal, which then utilizes the LED driver **414** to turn on the first LED **310**. At the same time, the microcontroller **408** sends a signal to the encoder **410**, which provides a coded digital signal to a modulator (not shown) and then to the radio transmitter **412**. This digitally encoded radio signal is now transmitted to all neighboring units. Only the unit next in sequence that matches this code will respond with the appropriate flash of the LED **310** mounted thereon.

The microcontroller **408** can be receiving multiple signals in rapid succession, and this provides the opportunity for the microcontroller **408** to turn on or off two or more LEDs **310**, **306** at the appropriate time. This results in the capability of having multiple simultaneous progressive flashing sequencing for traffic moving in opposite directions.

Each device's sequence number can be programmed using an input keyboard, an electrical transmission from an external controller, or hardwired and controlled by a local switch such as thumbwheel or membrane switch. The sequence can be input through the individual module control input port. It can also be programmed from a distance using radio frequency, microwave, inductance, infrared or other electromagnetic radiation. Hence, the devices, or modules, can be deployed without regard to sequence number, and when in place, the user can simply walk along the path and define each device's sequence number. However, the unique aspect of this invention is the use of a "mesh" network that allows for the lights to assume the proper sequence number simply by applying power in the proper order or with proximity sensors. For example, in an embodiment, the user would simply locate a light and turn it on. The electronic circuitry and logic would "listen" to detect whether there were any other lights currently on and transmitting a signal. If no other signal is received in a predetermined period of time, then this device would assume identity number **1**. When the 2nd light is turned on, it would listen for any other devices, and upon "hearing" number **1** transmitting a signal, but no other transmitted signals, it would then say, "I must be number **2**". When turned on, the 3rd light would receive (or "hear") numbers **1** and **2**, and if no other signals were heard it would then assume that "I must be number **3**", and so on. When used in a nautical setting, the buoys could be activated in order when placed in the water. In addition, the user can define the length of flash and the delay between reception of triggering signal and flash with input on the control panel of each device. In other embodiments, an array of modules is placed and once activated, would self-determine their order in the array, position in the system, etc., and set the activation sequence accordingly.

The flashing sequence is programmable, and may reverse to produce a particular guide or warning. Furthermore, a failure of one unit would not influence performance of the entire system. Should one unit fail, the next higher number will wait a predetermined number of milliseconds, and upon failing to receive a transmission from the failed unit, will

continue to operate without interruption. This same methodology, that is the mesh network, provides a simple means by which a failed unit could be replaced. The person replacing the failed unit simply has to turn the replacement unit on. It will listen for a predetermined length of time. If it “hears” a number **10**, for example, and a number **12**, but no signal is received from a number **11**, then it will assume that number **11** is out of the system and simply adopt that code number.

In another embodiment, the system of lights or modules can be configured to provide an indication of distance from the observer. The signaling system, of which the lights are the most visible part of each module, can comprise lights that are visibly dimmer the higher the number in the sequence to which they are assigned (or the opposite). The lights can, in another embodiment, illuminate at different visible wavelengths to provide some indication of distance. While this methodology is not as effective for a color-blind person, longer frequency colors such as the reds appear to be different distances from an observer than do colors near the cooler end of the spectrum (blue for example). Thus lights with lower sequence numbers can illuminate at different emission frequencies than lights, which are assigned higher numbers in the sequence. In another embodiment, the lights can be assigned to flash on for shorter periods of time, the further they are from the observer (higher in the sequence chain) than lights, which are closer to the observer (lower in the sequence chain). Thus, the lights, which are on longer will appear to be relatively brighter and thus closer to the observer. In yet another embodiment, the lights that are closer to the observer can flash on and off a number of times during their assigned “on” cycle. Lights further from the observer can be assigned to flash on and off a relatively lower number of times during their “on” cycle, thus appearing slightly dimmer or further away from the observer. Any combination of the aforementioned systems can be used to assist the driver or observer in determining the path in which the lights or signaling devices are arrayed, and thus the safe path that can be followed by the observer.

FIG. 5 illustrates the logic control used to create sequenced flashing of lights as illustrated in FIG. 2. FIG. 5 shows module number **202** comprising the light or sensory signaling devices **306,310**, the controller, and a shield **312**. The controller for light number **202** is shown transmitting an electromagnetic signal **320** to the controller for light number **204**. There is no signal being emitted between the controller, or module, for light number **20** and the controller or module for light number **206** at this point in time. The signal from module number **204** to module number **206** will be generated at a future instant in time. The shield or baffle **312** prevents viewing of the lights **306, 310** from an undesired direction, thus preventing confusion on the part of drivers coming from an oncoming direction, for example. Both lamp **306** and **310** are illuminated in module **206**.

A system of signal emitting modules **300** is disclosed. The modules emit light or other signals to warn oncoming traffic that a road or other pathway has changed or is traversing a tortuous pathway. The modules **300** are interconnected in a sequence so that they flash on and off in a pattern that leads the driver or observer along a path with less confusion than with randomly flashing or steady lights or reflectors. The modules are self-powered and can be arrayed first and programmed following deployment. The programming can be done with the described mesh technology, an external controller, or by dialing a specific number in each of a plurality of distributed controllers. The modules can improve highway safety by reducing driver confusion. The modules are arrayed to prevent a driver from seeing them from an oncoming direction,

or, using two independent sequencing software programs for opposite facing LEDs, the driver coming from the opposite direction will have his or her own guiding system.

The visual output device, which can be a light, led, or other visual emitter can be highly directional, omni-directional, or quasi-directional. Each visual output device can be set to emit electromagnetic radiation in the visible range or a range outside the visible spectrum. Such radiation can be in the infrared, ultraviolet, microwave, or radio frequency range. Such radiation can be configured to be received by, and interact with, a receiver in an approaching or departing vehicle that can display the information on a Global Positioning System (GPS) display or other mapping device within the vehicle. Furthermore, each module supporting the visual output devices can comprise a GPS receiver that can provide its position and then transmit that position to the approaching or leaving vehicle such that the information may be used to locate one, a few, or all of the modules on a GPS display or other mapping system.

The present invention may be embodied in other specific forms without departing from its spirit or essential characteristics. The described embodiments are to be considered in all respects only as illustrative and not restrictive. The scope of the invention is therefore indicated by the appended claims rather than the foregoing description. All changes that come within the meaning and range of equivalency of the claims are to be embraced within their scope.

For purposes of summarizing the invention, certain aspects, advantages and novel features of the invention are described herein. It is to be understood that not necessarily all such advantages may be achieved in accordance with any particular embodiment of the invention. Thus, for example, those skilled in the art will recognize that the invention may be embodied or carried out in a manner that achieves one advantage or group of advantages as taught herein without necessarily achieving other advantages as may be taught or suggested herein.

What is claimed is:

1. A traffic marker system comprising:
 - a plurality of modules, wherein each module is in wireless communication with at least one other module, further wherein the modules are arranged along a traffic route such that the path or border of the traffic route can be designated by the modules;
 - wherein the modules flash in a coordinated, sequential pattern causing an onlooker to observe a path from the first module to the last module with minimum confusion as to which marker is next in the line or which markers are adjacent to each other;
 - wherein said sequential pattern is determined at the time they are turned on or initialized, by the order in which they are turned on or initialized;
 - wherein when the sequence of any number of a plurality of modules is established, a failed module can be replaced by a replacement module without the user having to set any code or number; and
 - further wherein the modules are comprised by a mesh network further comprising software code, to identify the missing module number and allow the replacement module to assume the proper sequence.
2. The system of claim 1 wherein the wireless communication comprises electromagnetic radiation.
3. The system of claim 1 wherein the modules comprise a baffle to project visual signals in a first direction such that those signals are not visible from a second direction when observing the module.

9

4. The system of claim 1 wherein a portion of the modules can be grouped into a plurality of subsets that create a visual pattern, further wherein each subset of modules turns on and off approximately simultaneously.

5. The system of claim 1 wherein one or more of the modules comprise a GPS receiver and system to re-transmit the GPS coordinates of the module to a secondary receiver in a vehicle such that the position of the module can be visualized using a mapping system.

6. The system of claim 1, wherein the single system of modules comprises separate visual output devices to separately signal traffic approaching from one direction and traffic approaching from an other direction, wherein the one direction is substantially opposite the other direction, further wherein the visual signals, which are sent to traffic coming from one direction are not seen by traffic coming from the other direction.

7. A method of marking a highway, nautical channel, aircraft route, or other traffic region comprising:

providing or obtaining a plurality of marker modules, wherein each module is adapted to communicate wirelessly with at least one other module; wherein the modules flash in a coordinated, sequential pattern causing an onlooker to observe a path from the first module to the last module with minimum confusion as to which marker is next in the line or which markers are adjacent to each other; wherein said sequential pattern is determined at the time they are turned on or initialized, by the order in which they are turned on or initialized; wherein when the sequence of any number of a plurality of modules is established, a failed module can be replaced by a replacement module without the user having to set any code or number and further wherein the modules are comprised by a mesh network further comprising software code, to identify the missing module number and allow the replacement module to assume the proper sequence;
establishing a route associated with a vehicular traffic pattern;

10

arranging the marker modules along the traffic route at regular interval spacing such that the path or border of the traffic route can be designated by the modules; establishing wireless communication between the marker modules; and causing the modules to flash in said coordinated, sequential pattern.

8. The method of claim 7 further comprising the step of visually separating the visual signals sent to traffic coming from opposite directions so that oncoming traffic sees their own visual signals and not those intended for oncoming traffic.

9. The method of claim 7 wherein each marker module can act as a source of light in a sequence of lights in opposite directions at the same time.

10. The method of claim 7 wherein the at least two marker modules generate visual output aimed at traffic coming from a specific direction in a sequenced pattern.

11. The method of claim 7, wherein the at least two marker modules are installed on roads, nautical channels, temporary airfields, runways, or landing zones without need to connect the lights with copper wire.

12. The method of claim 7, wherein emergency deployment of the at least two marker modules is carried out by emergency, military, or civilian personnel.

13. The method of claim 7, wherein at least two marker modules are low-cost, lightweight, and simple to deploy and activate.

14. The method of claim 7, wherein at least two marker modules receive electrical power from a battery power supply.

15. The method of claim 7, further comprising the step of deriving electrical power from solar energy.

16. The method of claim 7, further comprising the step of deriving electrical power from photovoltaic cells, wind energy, or thermal energy.

* * * * *