

A Registered
Limited Liability Partnership
of Professional Corporations

STOUT, UXA & BUYAN LLP
4 VENTURE, SUITE 300
IRVINE, CALIFORNIA 92618

PATENTS, TRADEMARKS,
COPYRIGHTS, AND RELATED
INTELLECTUAL PROPERTY
MATTERS

ROBERT D. BUYAN
Telephone: (949)450-1750 Ext. 213
Facsimile: (949)450-1764
E-Mail: rbuyan@patlawyers.com

Our File No.
SELEV-014AU

January 10, 2017

Via Certified Mail

James R. Selevan
1661 Sunset Ridge Drive
Laguna Beach, CA 92651

Re: Australian Design Application No. 201515733
Title: ELECTRONIC TRAFFIC SAFETY/GUIDANCE FLARE


Dear Jim:

Enclosed herewith is the original Australian Design Registration Certificate No. 366289, issued by the Australian Patent Office in connection with the above-identified patent application.

Please sign and date below to confirm that you received the enclosed Australian Design Registration Certificate and return a signed copy of this letter to our office for our records.

Very truly yours,

STOUT, UXA & BUYAN, LLP


Robert D. Buyan

RDB/das
Enclosures

ORIGINAL AUSTRALIAN DESIGN REGISTRATION CERTIFICATE NO. 366289

Received this _____ day of _____, 20__.

By: _____
Name:



Australian Government

IP Australia

CERTIFICATE OF REGISTRATION

DESIGN

No. 366289

I, **Victor Portelli, Registrar of Designs**, certify that the design, a representation of which is attached, has been registered in the Register of Designs, and that the following details have been entered in the Register in respect of that registration.

Name and Address of Owner(s):

Pi Variables, Inc.

1661 Sunset Ridge Drive Laguna Beach California, 92651 United States of America

Name of Designer(s): James R. Selevan

Product in respect of which the design is registered: Electronic traffic safety/guidance flare

Design Number: 15733/2015

Date on which Application for Registration of the Design was filed: 28 October 2015

Date of Registration: 4 January 2016

Term of Initial Registration: Five years commencing on 28 October 2015

Statement of Newness and Distinctiveness: Nil.

Convention Details:

Number

Date

Country

29/525,453

29 April 2015

UNITED STATES OF AMERICA

The design representation(s), plus any additional owner or designer names or other additional information relating to the registration, are listed on the attached pages.

*Given under my hand and the seal of the
Designs Office on 5 January 2016*



Victor Portelli

1/4

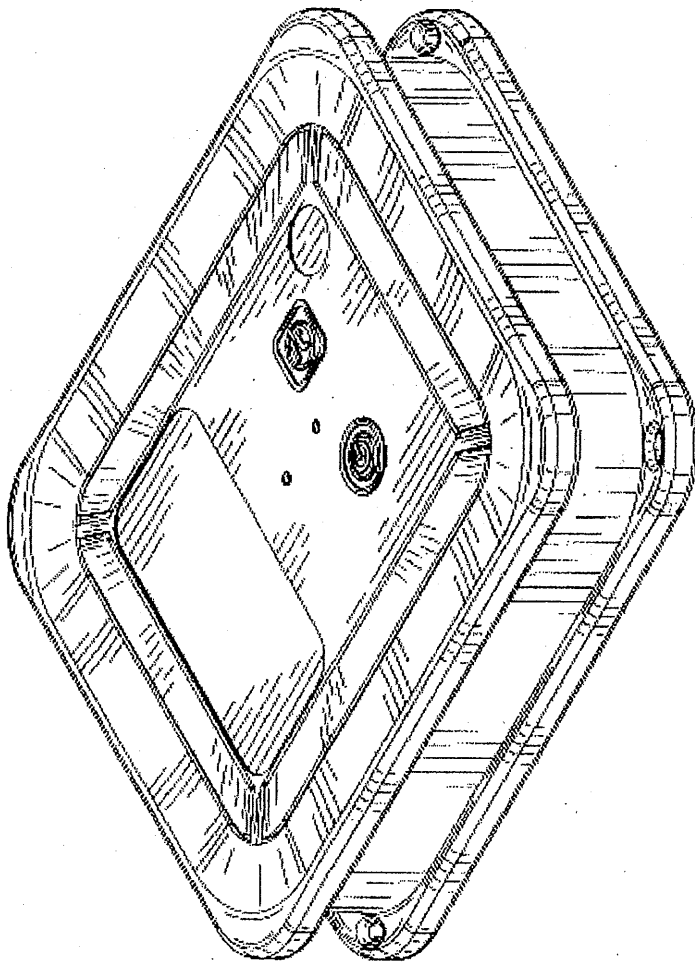


FIG. 7

2/4

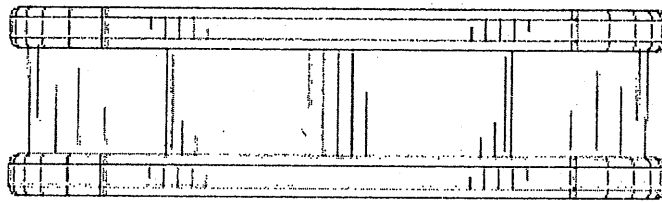


FIG. 2

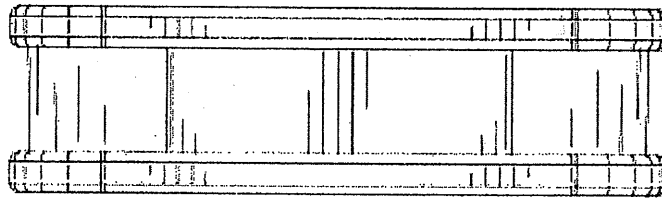


FIG. 3

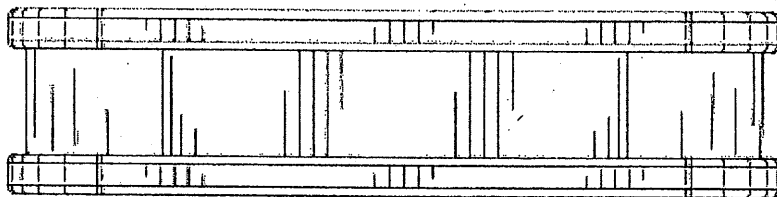


FIG. 4

3/4

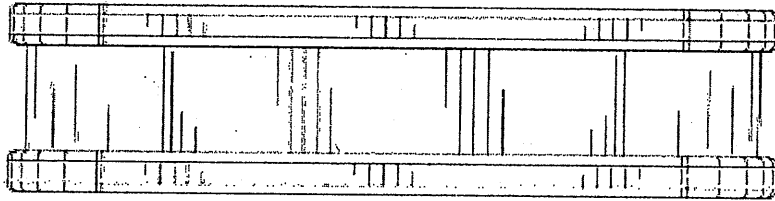


FIG. 5

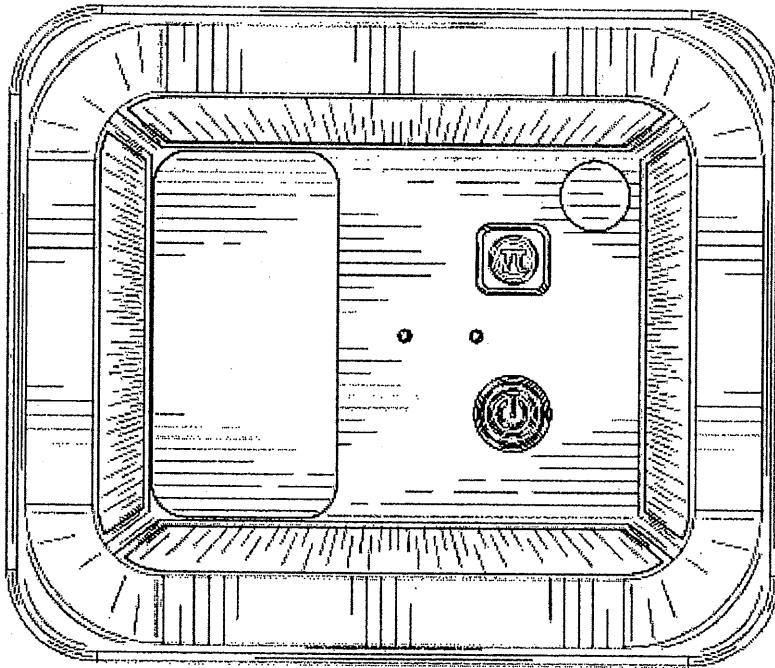


FIG. 6

4/4

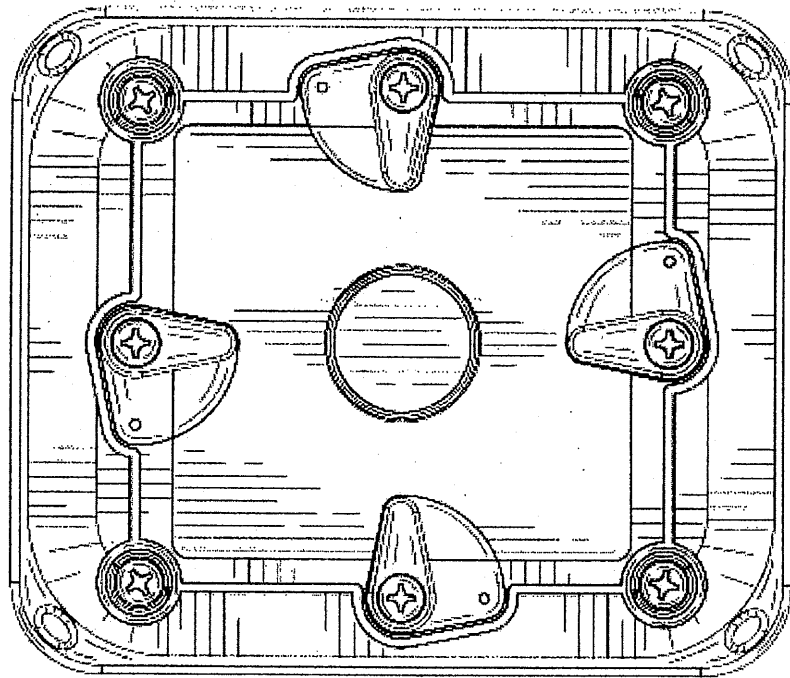


FIG. 7

Representations

FIG. 1 is a left perspective view;

FIG. 2 is a right side view;

FIG. 3 is a left side view;

FIG. 4 is a front view;

FIG. 5 is a rear view;

FIG. 6 is a top view; and

FIG. 7 is a bottom view.