



Submittal Data Sheet

6.0-Ton Concealed Ceiling Unit

FXMQ72MVJU

FEATURES

- Greater design flexibility with a large capacity
- Improved ductwork and filtration flexibility with high CFM and ESP capabilities of up to 1.1" W.G.
- Standard Limited Warranty: 10-year warranty on compressor and all parts





Submittal Data Sheet
6.0-Ton Concealed Ceiling Unit
FXMQ72MVJU

PERFORMANCE

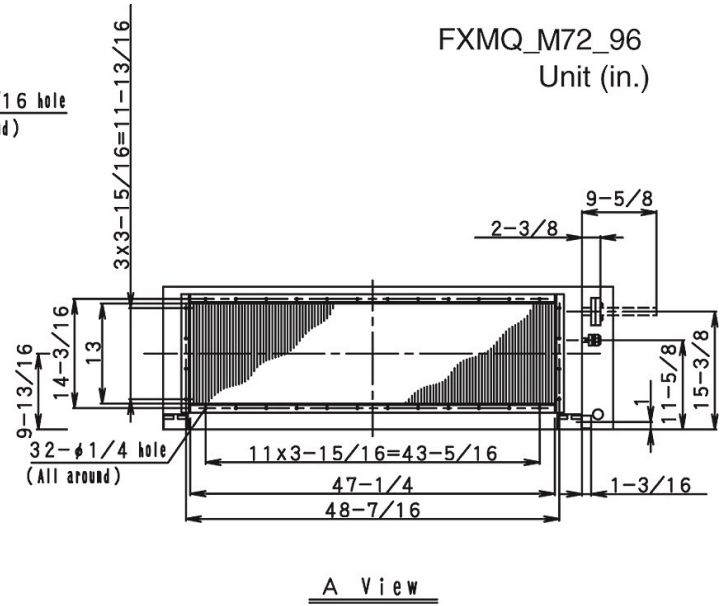
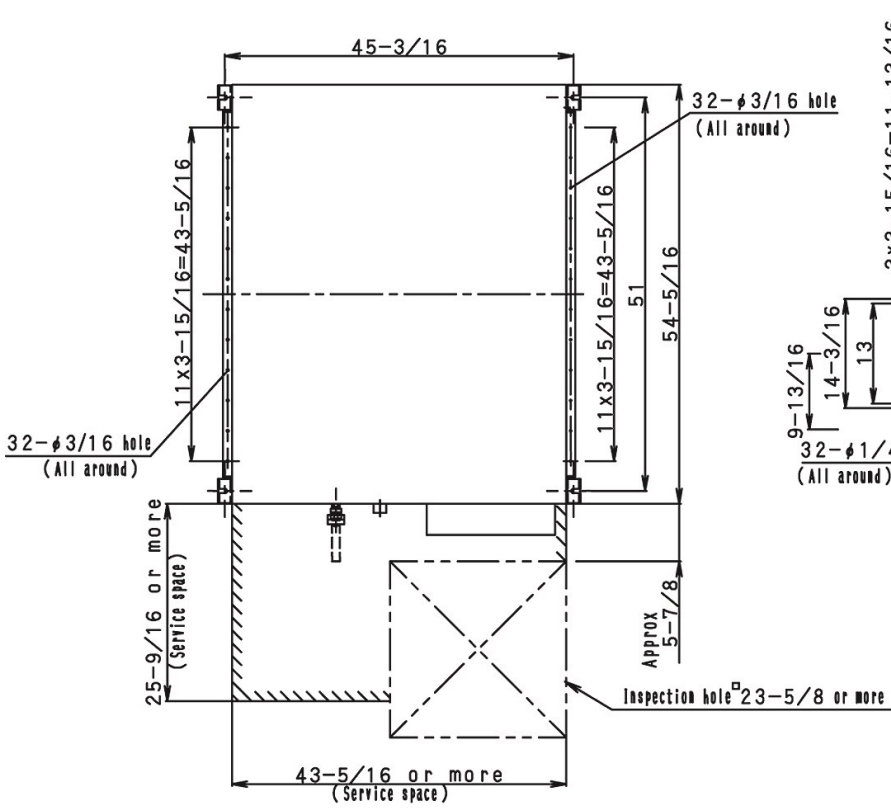
Indoor Unit Model No.	FXMQ72MVJU	Indoor Unit Name:	6.0-Ton Concealed Ceiling Unit
Type:	Ducted	Rated Cooling Conditions:	Indoor (°F DB/WB): 80 / 67 Ambient (°F DB/WB): 95 / 75
Rated Cooling Capacity (Btu/hr):	72,000	Rated Heating Conditions:	Indoor (°F DB/WB): 70 / 70 Ambient (°F DB/WB): 47 / 43
Sensible Capacity (Btu/hr):	56,980	Rated Piping Length(ft):	
Cooling Input Power (kW):	1.490	Rated Height Separation (ft):	
Rated Heating Capacity (Btu/hr):	81,000		
Heating Input Power (kW):	1.49		

INDOOR UNIT DETAILS

Power Supply (V/Hz/Ph):	208-230 / 60 / 1	Airflow Rate (H/L) (CFM):	2,047/1,784
Power Supply Connections:	L1, L2, Ground	Moisture Removal (Gal/hr):	
Min. Circuit Amps MCA (A):	9.50	Gas Pipe Connection (inch):	3/4
Max Overcurrent Protection (MOP) (A):	15.00	Liquid Pipe Connection (inch):	3/8
Dimensions (HxWxD) (in):	18-1/8 x 54-3/8 x 43-5/16	Condensate Connection (inch):	1
Panel (HxWxD) (in):		Sound Pressure (H/L) (dBA):	49/46
Net Weight (lb):	302	Sound Power Level (dBA):	
Panel Weight (lb):		Ext. Static Pressure (Rated/Max) (inWg):	0.95 / 0.95

DIMENSIONAL DRAWING

FXMQ_M72_96
 Unit (in.)



Ductwork Opening:

Model No.	Supply Opening		Return Opening	
	Height	Width	Height	Width
FXMQ72.96MVJU	14-3/16"	48-7/16"	14-3/16"	48-7/16"

(Note: Opening dimension base on Fixing Hole Center)

