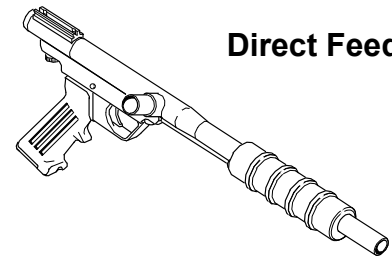


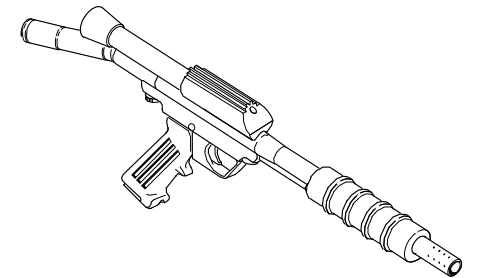
THE PHANTOM™

Paintball Marker

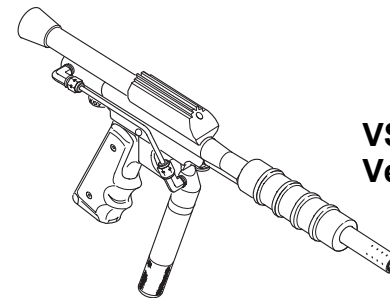
User's Manual



Direct Feed



**SC:
Stock Class**



**VSC:
Vertical Air Stock Class**



530 South Springbrook Road
Newberg, OR 97132

www.phantomonline.com

User's Manual

**Component Concepts, Inc.
The Phantom™ Paintball
Marker User's Manual**

The information in this manual is subject to change without notice and does not represent a commitment on the part of Component Concepts, Inc. CCI reserves the right to make improvements to products without incurring any obligation to incorporate such improvements in products previously sold.

This manual contains information protected by copyright. No part of this manual may be photocopied or reproduced in any form without prior written consent from Component Concepts, Inc.

Copyright© 1989-2009 by Component Concepts, Inc.
All rights are reserved.

The PHANTOM™ is a registered trademark of Component Concepts, Inc.

PLACE
NECESSARY
POSTAGE
HERE

Component Concepts, Inc.
530 South Springbrook Road
Newberg, OR 97132

Contents

Precautions

Safety-Your Responsibility 1

Description and Operation

Introduction..... 2
Specifications 3
The Marker Safety..... 3
CO₂ Installation..... 4
Puncture Adapter Removal..... 4
Load and Fire Paintballs..... 5
Velocity Adjustment..... 6

Service and Maintenance

Field Stripping..... 7-10-11
General Maintenance 8
Service Notes 8
Cup Seal and O-ring Replacement..... 9
Parts List 12
Exploded View..... 13
Accessories 14

Warranty and Disclaimers

Warranty..... 15
Disclaimers..... 16

(fold)

Warranty Registration Card

Product Purchased _____ Price _____

Serial Number _____ Date Purchased _____

Owner _____

Address _____

City _____ State _____ Zip _____ Phone _____

Purchased From _____

Address _____

City _____ State _____ Zip _____ Phone _____

Comments _____

Disclaimers

This limited warranty does not extend to any products not purchased from Component Concepts, Inc. (CCI) or an authorized dealer. This limited warranty also does not extend to any products damaged or made defective (A) as a accident, misuse, abuse; (B) by the use of parts not manufactured or sold by CCI; (C) by modifications, or (D) as a result of service or modifications by anyone other than CCI or an authorized dealer or service provider.

Except as expressly set forth above, CCI makes no other warranties, express or implied, including, but not limited to, any implied warranties of merchantability and fitness for a purpose beyond its designed use, and CCI expressly disclaims all warranties not stated here.

In the event the Phantom product is not free from defects as warranted above, your sole remedy as the owner shall be repair or replacement as provided above. CCI will not be liable to the owner, or to any user, for any damages, including any incidental or consequential damages, expenses, lost wages, or other damages arising out of the use of or inability to use safely CCI products.

Some states do not allow the exclusion or limitation of incidental or consequential damages for consumer products, and some do not allow limitations on how long an implied warranty last, so the above limitations may not apply to you. This warranty gives you specific legal rights and you also have other rights which vary from state to state.

Precautions

Safety-Your Responsibility

The Phantom is designed and built to provide safe and dependable service if handled according to instructions. Read and understand the instructions and warnings in this manual before using the Phantom. Failure to do so could result in personal injury or property damage.

Phantom owners must comply with the following basic safety precautions. These precautions are given here for your safety and for the protection of the marker. Review them carefully before using or performing general maintenance or repairs.

WARNING

The Phantom is a dangerous weapon if mishandled. This marker is not a toy nor is it intended for use by persons under the age of 18. Follow the basic rules of safe firearms handling and the laws governing the ownership and use of gas-fired guns. Careless handling of the Phantom or any other CO₂ powered gun may cause serious injury.

Do not handle this marker until you are thoroughly familiar with its mechanical characteristics.

Always wear approved eye protection when operating this or any paintball marker.

Pressurize with CO₂ only while the marker is in use.

Keep exposed flesh away from escaping CO₂.

Always carry the marker with the safety "ON".

Never point the marker in the direction of anything you do not intend to mark.

Never look directly into the barrel.

Use only .68 caliber paintballs.

Do not attempt to service without first removing the CO₂.

Do not fire the marker at a target that is less than three feet away.

For everyone's protection, exercise common sense and safety during all situations.

Description and Operation

Introduction

The Phantom is a .68 caliber, pump action, CO₂ powered marker designed to fire paintballs, which burst on impact to mark the aiming point.

The Phantom cocks and loads a paintball when the pump arm is pulled fully back and returned to its full forward position. Releasing the safety and squeezing the trigger fires the marker. The marker must be pressurized with CO₂ to cock.

The design of the trigger firing mechanism includes a rapid fire capability. With constant pull on the trigger, the marker fires with each pump action.

Identified in Figure 1 are the Phantom's major components. This illustration will aid you in understanding the instructions contained in this manual.

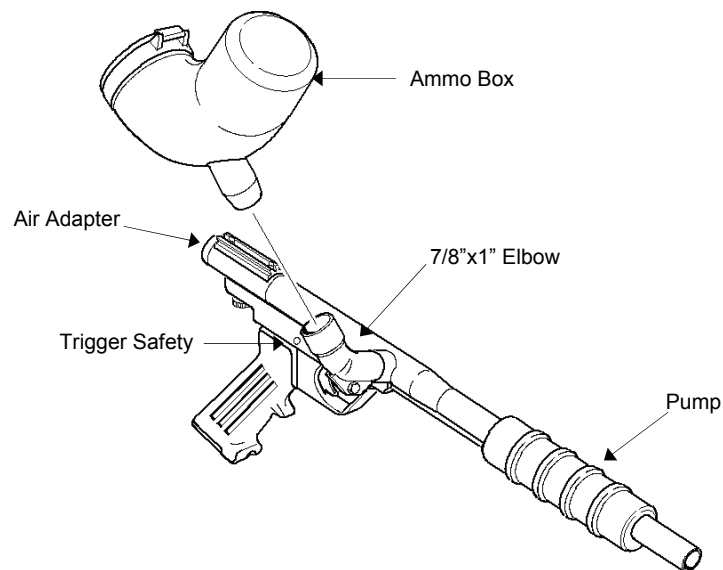


Figure 1. Major Components.

Warranty and Disclaimers

Warranty

To confirm your warranty, fill out and return the enclosed warranty registration card.

The 180-day limited warranty begins on the date of purchase. This warranty applies to all models of the Phantom products and accessories manufactured or sold by Component Concepts, Inc. (CCI).

You are the owner if you are the original purchaser of the Phantom products from either CCI or an authorized dealer. This warranty only applies to original owners and is not transferable.

CCI pledges to you, the owner, that the Phantom products are free from defects in materials and workmanship for 180 days from the date of purchase.

During the term of this warranty, at no additional charge to the owner, excluding shipping, CCI will repair or replace any defective parts of the Phantom products with new or, at the option of CCI, refurbished parts.

The owner must prepay any shipping charges. In addition, the owner is responsible for insuring any product returned and assumes the risk of loss during shipping. All parts and products replaced under this warranty become the property of CCI.

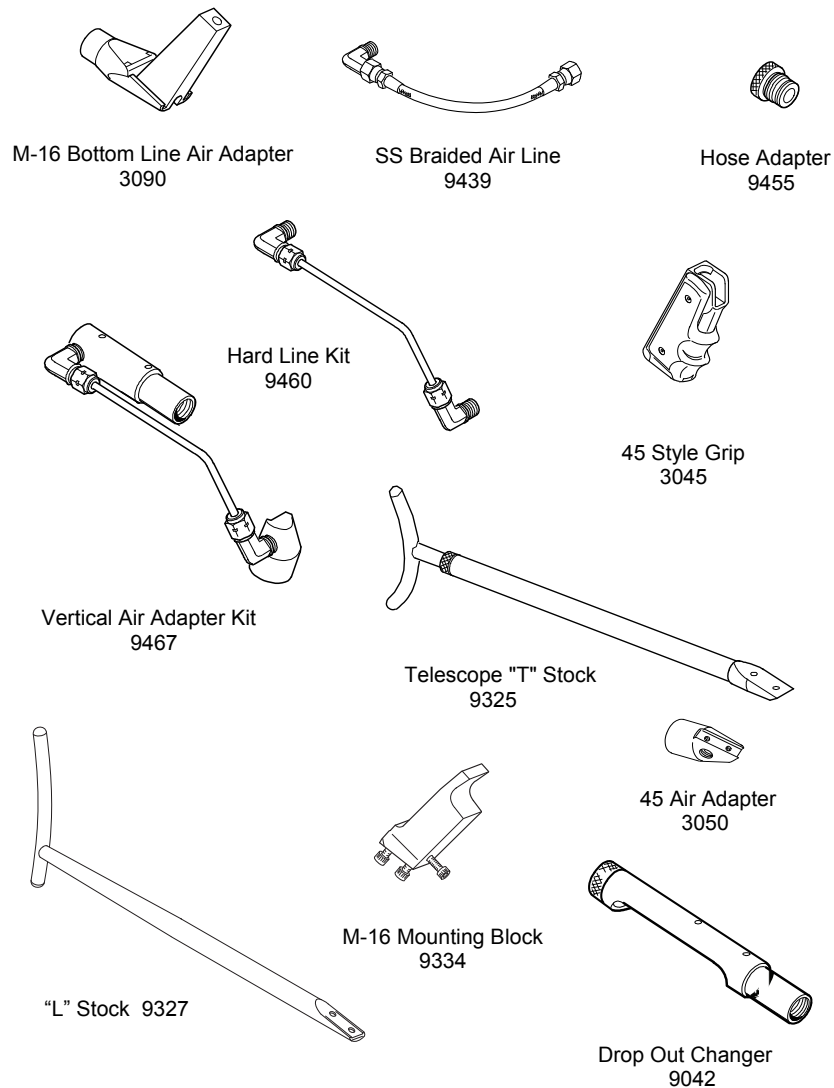
To obtain this repair or replacement service, the owner must return the entire Phantom product to:

Component Concepts, Inc.
530 South Springbrook Road
Newberg, OR 97132

We are open 9AM to 5PM PST Monday through Friday.

Telephone: (503) 554-8095
Fax: (503) 554-9370

Accessories



Specifications

Caliber	.68
Mechanism	Pump Action
Power	CO ₂
Safety	Trigger Block
Muzzle Velocity	180-325 fps (Adjustable) "F" Stamped less than 200 fps (Non-Adjustable)
Sights	Rear sight w/ Slide Rails
Weight	1.8 - 2 lbs.
Length	20½ to 34 inches
Barrel	Aluminum Alloy Roller Burnished 8-14 inch
Material	6061 T-6 Aluminum Alloy

The Marker Safety

The Phantom safety is a push button located next to the trigger. The safety provides protection against accidental or unintentional discharge under normal usage when properly engaged (ON).

To engage the safety, push the button all the way to the right. To release the safety, push the button all the way to the left. See Figure 2 which illustrates the positions of the safety.

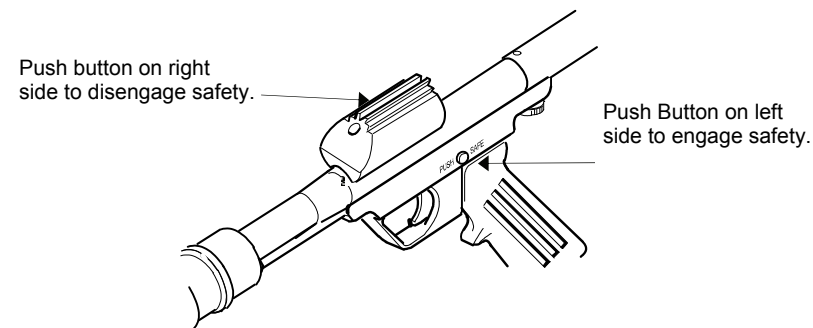


Figure 2. The Safety "ON" and "OFF" Positions.

CO₂ Installation

Stock Class:

Place 12 gram CO₂ cartridge in stock housing. Screw stock housing with cartridge onto puncture adapter. This action pierces cartridge and pressurizes marker.

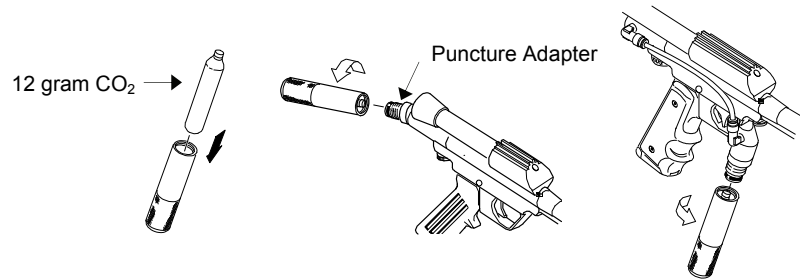


Figure 3. Stock Housing CO₂ Installation.

Puncture Adapter Removal

To remove the puncture adapter use a 3/8 hex key.

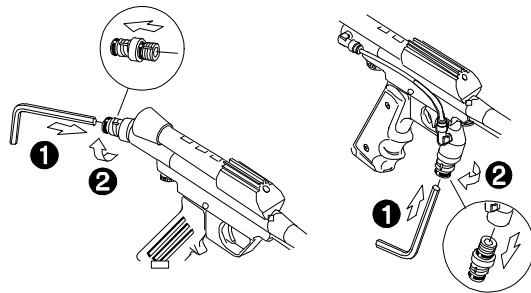
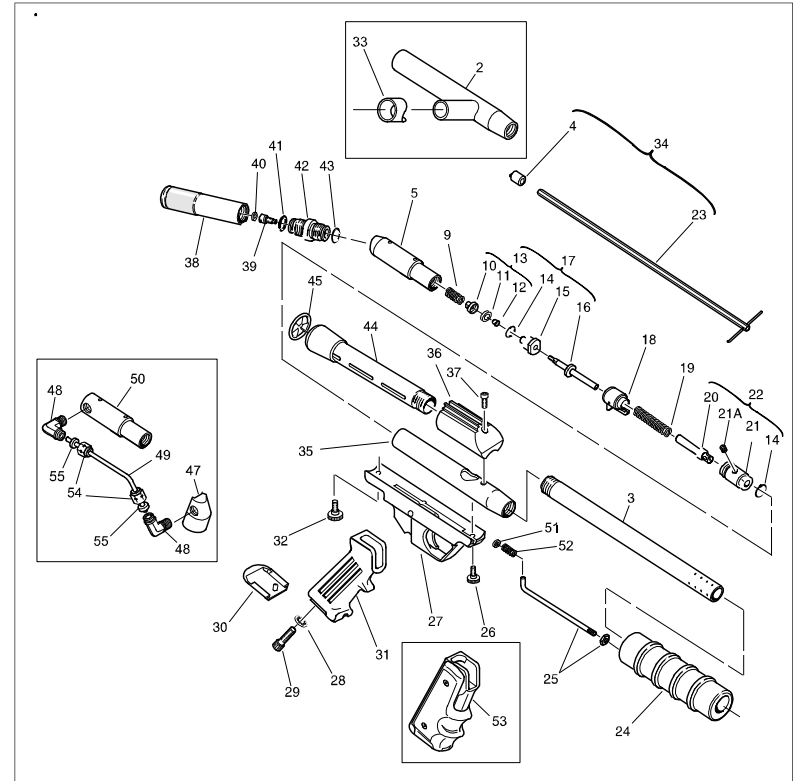


Figure 4. Puncture Adapter Removal.

Exploded View



Item #	Part#	Description
2	9009	Direct Feed Breech
3	9006	11" Screw-in Barrel
	9007	8" Screw-in Barrel
	9008	14" Screw-in Barrel
4	9069	Hex to Slot, Adjusting Rod Adapter
5	9420	Air Adapter
9	9036	Valve Spring
10	9112	Cup
11	9111	Seal
12	9113	Eyelet
13	9110	Cup Seal Assembly (10,11,12)
14	9046	O-ring, #12

Parts List

Item #	Part#	Description
15	9115	Retainer
16	9103	Power Tube
17	9116	Power Tube Assembly
18	9062	Anti-Kink Hammer Assembly
19	9051	Main Spring
20	9052	Tuned Port Compensator
21	9045	Bolt (21A, 14)
21A	9049	Nylon Set Screw 10-32x1/8"
22	9048	Bolt Assembly (TPC)
23	9068	Adjusting Rod, Hex 1/4"
24	9200	Pump
25	9212	Bolt Rod with Nut
26	9311	8-32 Thumbscrew, Front
27	9300	Frame Assembly (28,29,30,31)
28	9306	Lock Washer, 1/4"
29	9307	Grip Screw, 1/4-20x3/4" SHCS
30	9304	Grip Cover
31	9305	Grip
32	9316	10-32 Thumbscrew, Rear
33	9029	Feed Port Cover
34	9070	Adjusting Rod (TPC)
35	9003	Breech, Top Feeding
36	9011	Horizontal Feed
37	9013	Screw 8-32x5/8" SHCS
38	9410	Stock Housing
39	9038	Puncture Pin Assembly (includes #40)
40	9039	Puncture Seal
41	9806	O-ring, 14x2
42	9415	Stock Puncture Adapter Assembly (39,40,41,43)
43	9805	O-ring, 14x2
44	9414	10 Round Extension Tube
	9015	15 Round Extension Tube
45	9024	Ball Retainer
46	9458	Vertical Adapter Screw 8-32x1/4" BHSS
47	9424	Vertical Adapter
48	9434	Compression Elbow
49	9435	Metal Tube
50	9417	Air Adapter Side Fitting
51	9206	Nylon Washer
52	9205	Return Spring
53	3045	45 Grip Frame
54	9441	Sleeve
55	9442	Compression Nut

CO₂ Installation

CO₂ Tank:

Thread the CO₂ tank into the air adapter. Tighten with hand to prevent leaks. If you have a leak check O-ring on tank. The marker is now pressurized.

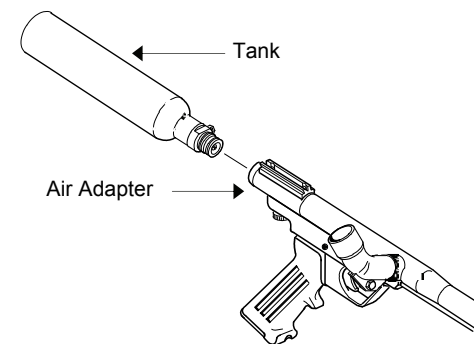


Figure 5. CO₂ Tank Installation.

Load and Fire Paintballs

Observe all safety precautions. Pour paintballs into ammo box or insert paintball tube with paintballs into horizontal feed for stock class configuration.

Hold the marker firmly in the shooting hand while using the other hand grasp the pump and pull it to the rear as far as it will go; then push forward in a continuous movement. This action chambers a paintball and cocks the firing hammer.

The marker is now fully loaded. When ready to fire, push the safety button to the "OFF" position and squeeze the trigger.

Velocity adjustment

Temperature and altitude influences the performance of CO₂. The force generated by the main spring is adjustable to compensate for these environmental effects.

Although many playing fields allow velocities up to 320 feet per second (fps), the Phantom performs best at 280 fps.

To adjust velocity:

Observe all safety precautions. Visually check to be sure that no paintballs remain in the chamber. Use adjusting rod or unscrew barrel and use standard screw driver to turn the tuned port compensator. Turning the compensator clockwise will increase velocity and counterclockwise will decrease velocity.

Caution: Turning the compensator clockwise more than six turns unseats it causing inconsistent performance and damage to threads.

Adjust the nylon set screw to provide enough drag to prevent the compensator from moving freely. **Do not overtighten, you will strip out the nylon set screw.**

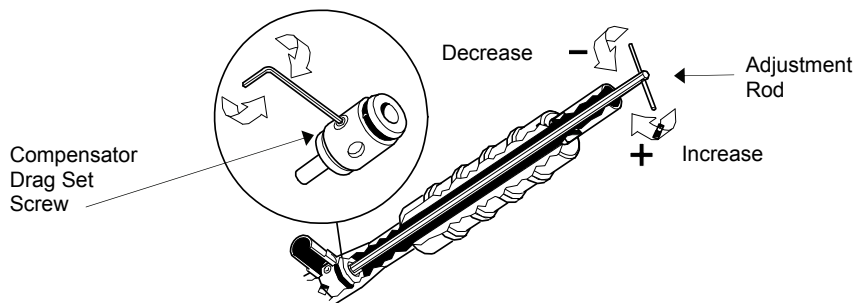
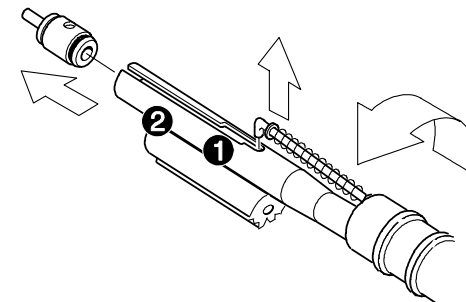
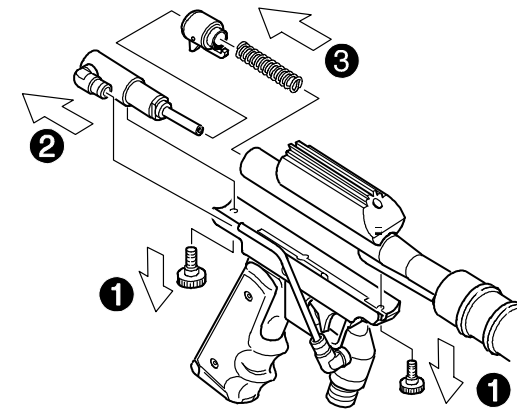


Figure 6. Compensator Adjustment

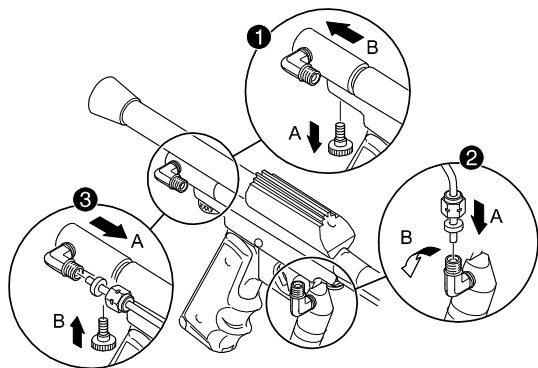
Service Notes



Service Notes

Compression metal line assembly is the newest type vertical air connection and requires a 7/16 wrench for disassembly. The rubber sleeve is designed for positive seal with proper compression.

Do not remove the sleeve from the tube.



Service and Maintenance

Field Stripping

WARNING

The Phantom is a dangerous weapon if mishandled. Never clean, lubricate, disassemble, assemble, or work on while it is pressurized. Observe safety precautions.

The working parts of the Phantom are either hard anodized, black-oxide, electroless nicked or stainless steel. These materials and plating procedures ensure long life; however, the bolt and hammer must be kept clean and lightly oiled. Do not put oil on the O-ring seals.

To field strip: **See pages 10 and 11.**

Remove the CO₂ and paintballs.

Remove the front and rear frame mounting thumbscrews and separate the grip frame assembly from the breech/barrel assembly.

Pull the air adapter out of the breech. The hammer and main spring will slide out.

Remove the bolt by pulling the bolt rod up slightly to release the bolt and tilt the breech so the bolt slides out.

WARNING

Any attempted modification, unauthorized service, or tampering may cause the Phantom to become unsafe or malfunction.

General Maintenance

Do not store with CO₂ or with marker cocked.

The marker must be kept clean for safe and reliable operation.

The bore of the barrel must be clean and dry for ultimate performance. Use a paintball squeegee and/or swab for a .68 caliber barrel. The barrel may be unscrewed for easy cleaning.

Inspect components to determine if they are in proper working order. If you are unsure, contact Component Concepts, Inc. or your dealer. If the performance changes dramatically you may need to return for repair. Before shipping, be absolutely sure that the CO₂ is removed.

Service Notes

The Phantom is designed to operate with a gas source which outputs 800 to 900 psi regardless of the tanks volume / capacity.

Although the gas source isn't critical you will find that compressed gas has a louder sound signature and yields slightly less fps as compared to CO₂ at the same internal velocity setting. Some compressed air systems have a lower output than 800 psi and those lower settings may not yield higher (280~300) fps.

Inconsistent velocity can be caused by the temperature, paintball fit, cup seal, velocity adjustment and not keeping the pump in the forward position.

In cool weather below 40 degrees F, CO₂ will have a tendency to have a reduced pressure potential. As the temperature warms up the pressure potential of CO₂ increases.

Service Notes

If the paintball rolls through the barrel the velocity will decrease. A set of 4 detent rings are available to stop paintballs from rolling out of the breech bore.

If you remove your hand from the pump while firing the velocity might drop.

Poor velocity may require replacing the seal in the cup seal assembly # 9111 and or the main spring # 9051.

If the velocity adjustment # 9052 is moving during use tighten the bolt nylon set screw # 9049.

Cup Seal and O-ring Replacement

An extra O-ring and cup seal has been supplied to help you sustain top performance of your marker.

Observe safety precautions.

Field strip the air adapter from the breech and use a 11/16 open end wrench to remove the power tube assembly. Unscrew the tube from the cup seal. The # 9111 seal in the cup of the cup seal assembly can be replaced or flipped over. Also check the power tube, if loose (turning in and out of the cup seal) the velocity will vary. Assemble the cup to the power tube with a drop of low strength thread lock on the power tube thread and finger tighten.