

Figure 1. UC Pump Kit Contents

1. Remove the front thumbscrew that secures the breech/barrel to the trigger frame.
- For vertical air markers first loosen the rear hardline nut fitting. Heat the button head screws located in the trigger guard to loosen the loctite seal and remove (see figure 2).

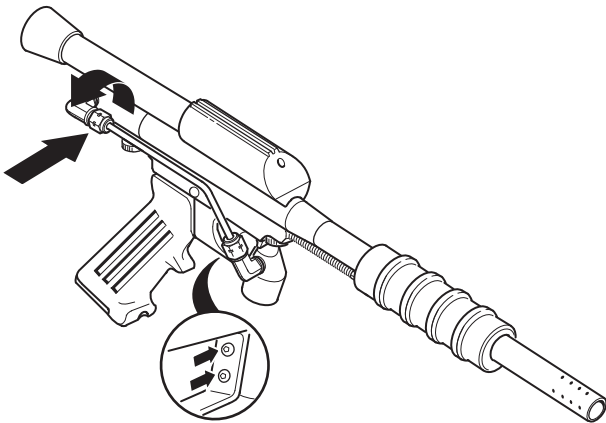


Figure 2. Vertical Air Removal

2. Slide the breech/barrel assembly from the trigger frame (see figure 3).

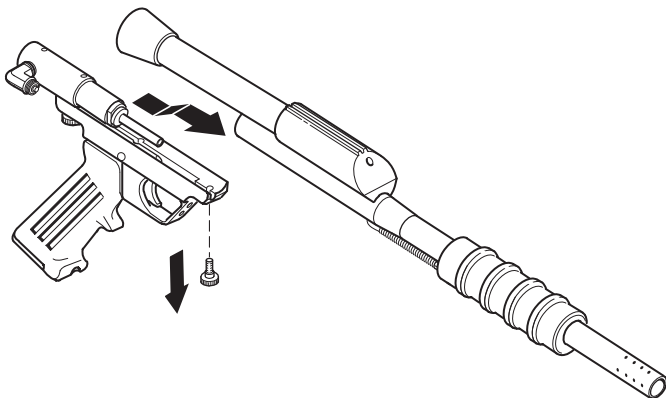


Figure 3. Breech/Barrel Removal

3. Remove the pump assembly from the breech/barrel assembly. Unscrew the bolt rod from the pump and remove the spring, washer and nut. Install the new washer and the spring back on the bolt rod and screw the bolt rod into the threaded hole on the UC pump leaving eight threads showing on the bolt rod (see figure 4).

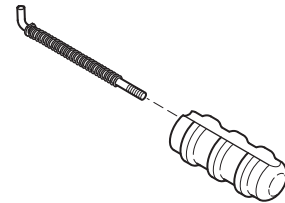


Figure 4. UC Pump Assembly

4. Insert the bolt rod into the bolt located in the breech/barrel assembly and tape the pump to the barrel to temporarily hold in place. Slide the UC mount rod into the hole on the pump and slide the trigger frame back into place under the UC mount rod. Ensure the bolt rod washer is in correct placement and secure with the 8-32 button head screw and lock washer (see figure 5).

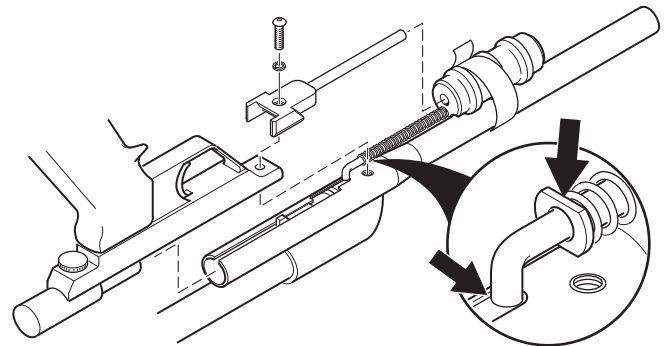


Figure 5. UC Pump Installation

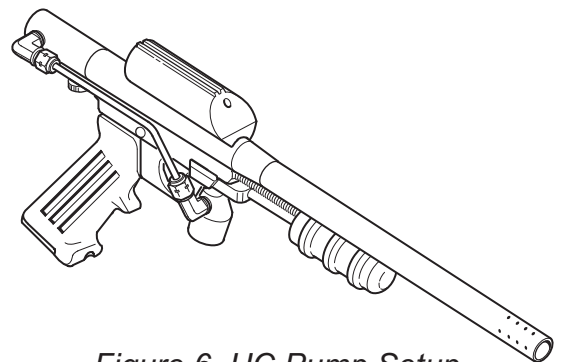


Figure 6. UC Pump Setup