

Multi-room WiFi&Bluetooth Audio Receiver Board-D5

RAKOIT
www.rakoit.com



This small and powerful WiFi and Bluetooth5.0 audio receiver board can be integrated into regular speakers and amplifier to make them WiFi and Bluetooth5.0 music streaming enabled. It is greatly popular with the DIYers and manufacturers to upgrade their old sound system.



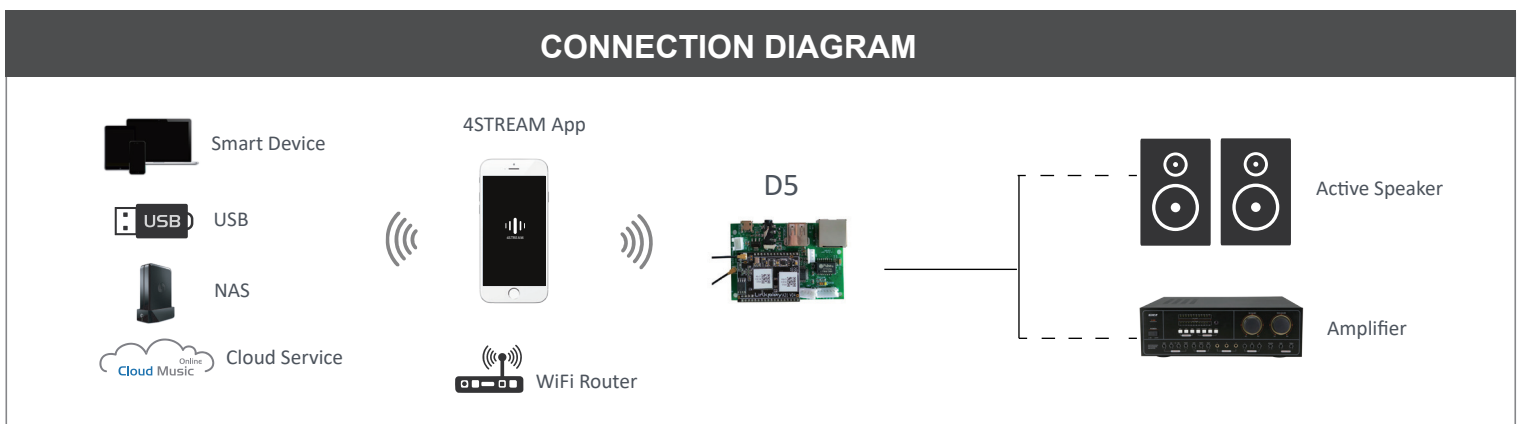
2x
speed

4x
range

8x
data

+
wireless
coexistence

CONNECTION DIAGRAM





Stream your music
anywhere in your room



Bluetooth5.0



Stream music from
different device



Play from variety of sources



Multiroom&Multizone

APP

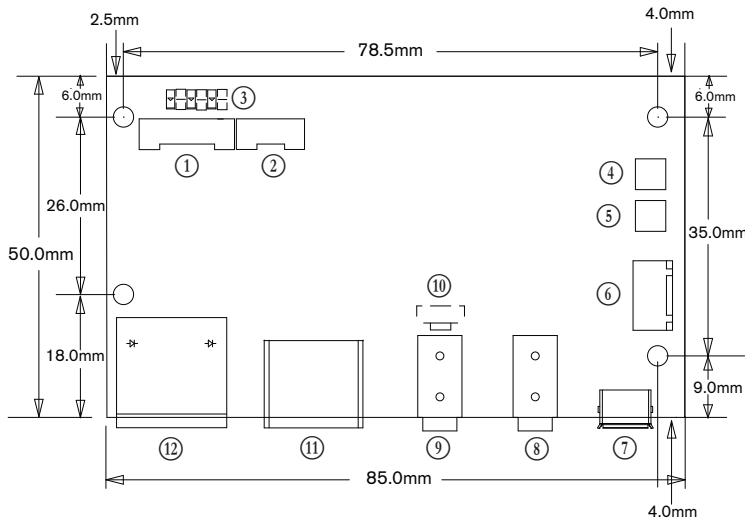
Free iOS&Android App



Huge music and tunes
available



Stream your music in
high quality



- ① External LED/KEY (WiFi_LED,BT_LED, USB_LED,3.3V,GND,WPS) WPS short to GND to trigger Wi-Fi reset
- ② IIS(DOUT,BCLK,LRCK,GND)
- ③ LED(WiFi:white; BT:blue; USB:red;Line-in:green)
- ④ Bluetooth Antenna
- ⑤ WiFi Antenna
- ⑥ GND,5V/1A
- ⑦ Micro USB
- ⑧ Line-Out
- ⑨ Line-In
- ⑩ WiFi Reset
- ⑪ USB
- ⑫ Ethernet

TECHNICAL SPECIFICATIONS

Interfaces

Refer to picture above

Network

Wireless connectivity:
WiFi 2.4G, 802.11 b/g/n
Bluetooth 5.0

Streaming protocols

DLNA, iOS streaming compatible, Spotify connect, Qplay

Control Applications

4STREAM APP for iOS and Android devices.
iTunes for MAC, Windows PC and
API Available for integration
Foobar2000

Music sources

Online: Deezer,qobuz,Spotify, TuneIn, iHeartRadio, Tidal, Napster, QQ music, Ximalaya and more coming in the future.

Local storage:

Music stored in your control device local storage;
NAS(Network attached storage);

Audio Parameters

Audio decoding: 24bit, 192KHz
SNR: 90dB
THD: 0.009%
Music format: FLAC, APE, MP3, AAC+, ALAC, WMA
Sync audio: yes

General

Power: DC 5V/1A
Working temperature: 0~40°C
Dimensions: 50x85.5mm