

**Electric  
Self-Propelled  
Articulating  
Boom**

**Z-20/8N  
Z-20/8N**

An industry first!

Small booms  
packed with  
big ideas.



**Genie Industries**



# Z-20/8 Z-20/8N

## Small booms packed with big ideas.

- With a base width of only 46 in (116.8 cm), the Z-20/8 allows **access in confined work areas.**
- The Z-mini™ (Z-20/8N)** has a 32 in (81 cm) total width and easily **drives through standard single doors.**
- Articulating jib rotates 180°** and allows you to position the jib exactly where you need it.
- No tailswing**—the lift linkage does not extend past the drive chassis, and does not rotate.
- Proportional lift and drive functions allow **smooth operation and easy positioning in tight areas.**
- Multiple disk brakes provide **smooth, controlled deceleration.**
- Roll-out trays provide **easy access to batteries and hydraulic subassembly.**

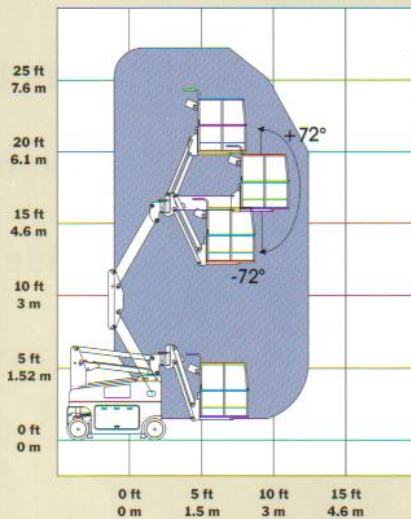
### Standard Features

- 26 ft (7.9 m) working height
- 7 ft 11 in (2.3 m) horizontal reach
- Compact 46 in (116.8 cm) width for Z-20/8 and 32 in (81 cm) for Z20/8N
- Articulating jib rotates 180° and has 144° working range
- 500 lb (226.8 kg) lift capacity for Z20/8 and 400 lb (181 kg) for Z-20/8N
- 180° platform rotation
- Proportional drive and lift
- AC outlet in platform
- High angle steering
- Multiple disk brakes
- Manual brake release pump
- Maintenance-free pivot-point bearings
- Auxiliary power unit
- Hour meter

### Options and Accessories

- Alarm package
- Air line to platform
- Battery charge indicator

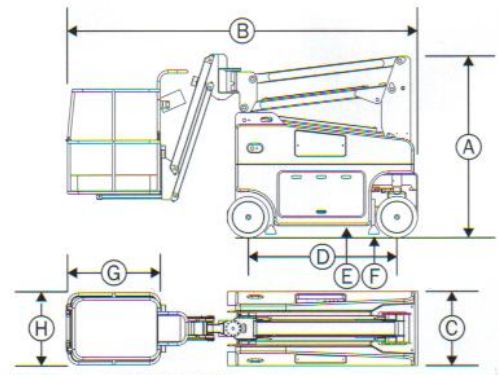
### Range of Motion



0 ft 5 ft 10 ft 15 ft  
0 m 1.5 m 3 m 4.6 m

### Standards Compliance

- ANSI/SIA A92.5
- CSA CAN3-B354.4-M82
- CE compliance option



Drawing shown: Z-20/8N. The Z-20/8 is not shown.

## Specifications

|   | Z-20/8                      |                   | Z-20/8N          |                   |
|---|-----------------------------|-------------------|------------------|-------------------|
|   | US                          | Metric            | US               | Metric            |
| Working height max                        | 26 ft                       | 7.9 m             | 26 ft            | 7.9 m             |
| Platform height max                       | 20 ft                       | 6.1 m             | 20 ft            | 6.1 m             |
| (A) Height - stowed                       | 6 ft 7 in                   | 2 m               | 6 ft 7 in        | 2 m               |
| (B) Length - stowed                       | 11 ft 9 in                  | 3.6 m             | 12 ft 4 in       | 3.8 m             |
| (C) Width                                 | 46 in                       | 116.8 cm          | 32 in            | 81 cm             |
| (D) Wheelbase                             | 5 ft 4 in                   | 1.6 m             | 5 ft 4 in        | 1.6 m             |
| (E) Ground clearance                      | 5 in                        | 12.7 cm           | 5 in             | 12.7 cm           |
| - at machine center                       |                             |                   |                  |                   |
| (F) Ground clearance                      | 2 in                        | 5 cm              | 2 in             | 5 cm              |
| - at pothole bars                         |                             |                   |                  |                   |
| (G) Platform length                       | 46 in                       | 116.8 cm          | 31 in            | 79 cm             |
| (H) Platform width                        | 30 in                       | 76.2 cm           | 40 in            | 102 cm            |
| Horizontal reach max                      | 7 ft 11 in                  | 2.3 m             | 8 ft 8 in        | 2.6 m             |
| Up and over clearance                     | 16 ft 1½ in                 | 4.9 m             | 16 ft 1½ in      | 4.9 m             |
| Lift capacity                             |                             |                   |                  |                   |
| ANSI, CSA                                 | 500 lbs                     | 226.8 kg          | 400 lbs          | 181 kg            |
| CE  | 500 lbs                     | 226.8 kg          | 440 lbs          | 200 kg            |
| Turning radius (outside)                  | 6 ft 3½ in                  | 1.9 m             | 4 ft 9 in        | 1.4 m             |
| Turning radius (inside)                   | 11 in                       | 27.9 cm           | 10 in            | 25.4 cm           |
| Tailswing (at pivotal height)             | zero                        |                   | zero             |                   |
| Tailswing (stowed position)               | zero                        |                   | zero             |                   |
| Platform rotation                         | 180°                        | 180°              | 180°             | 180°              |
| Jib range of motion                       | 144°                        | 144°              | 144°             | 144°              |
| Power source                              | 48V (8 6V 245 AH batteries) |                   |                  |                   |
| Drive speed - stowed                      | 0-2.7 mph (high)            | 0-4.3 km/h (high) | 0-2.6 mph (high) | 0-4.2 km/h (high) |
|   | 0-1.4 mph (low)             | 0-2.3 km/h (low)  | 0-1.3 mph (low)  | 0-2.1 km/h (low)  |
| Drive speed - raised                      | 0-0.6 mph                   | 0-0.97 km/h       | 0-0.6 mph        | 0-0.97 km/h       |
| Controls                                  | proportional drive and lift |                   |                  |                   |
| AC outlet in platform                     | standard                    |                   |                  |                   |
| Auxiliary pump                            | standard                    |                   |                  |                   |
| Non-marking tires (solid rubber; treaded) | 18 x 14 x 6 in              | 46 x 36 x 15 cm   | 18 x 14 x 6 in   | 46 x 36 x 15 cm   |
| Tire load range                           | 4,130 lbs                   | 1,873 kg          | 4,130 lbs        | 1,873 kg          |
| Gradeability                              | 20%                         | 20%               | 18%              | 18%               |
| Hydraulic tank capacity                   | 8 gal                       | 30.3 ltr          | 8 gal            | 30.3 ltr          |
| Weight                                    | 7,000 lb                    | 3,077 kg          | 10,750 lb        | 4,876 kg          |

Distributed By:

## Genie Industries

### GENIE UNITED STATES

18340 NE 76th Street  
P.O. Box 97030  
Redmond, Washington 98073-9730  
Telephone (425) 881-1800  
Toll Free in USA/Canada 800-536-1800  
Fax (425) 883-3475  
<http://www.genielift.com>

### GENIE UNITED KINGDOM

Brunel Drive  
Newark  
Nottinghamshire  
NG24 2EG England  
Telephone (44) 01636-605030  
Fax (44) 01636-611090  
<http://www.genielift.com>