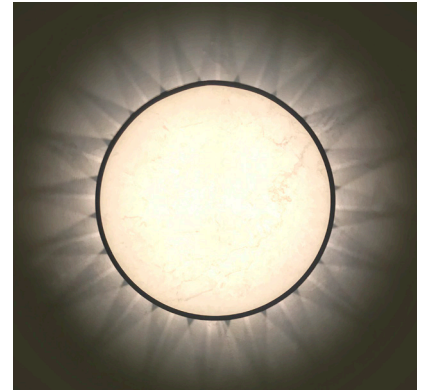


Sunburst Sconce

INTEGRAL POWER SYSTEM



APPLICATION

A dynamic sconce design. The Sunburst Sconce utilizes LED arrays to create a unique aesthetic complement for auditoriums and other rooms. The central face and perimeter "rays" are dimmable, allowing the light be tailored from ambient to high-level room illumination.

CONSTRUCTION

- Circular front lens backlit with LEDs arranged for smooth/even light.
- Perimeter LED array consists of 3" modules and shields designed to create a "burst" pattern of light.
- A patented two-piece construction simplifies installation. The 2" or 3" offset mounting bracket is installed and wired during rough-in (j-box optional). During the finishing phase, the lighting fixture is hooked onto the mounting bracket, aligning the pins to complete the electrical connection.
- Housing: Aluminum spinning with white inside. Black outside.
- Ring is powder coated in Black housing.

OPTICS/LENS/DIFFUSER

- Select an image or pattern to be printed on vinyl and smoothly adhered to the smooth white diffuser for a truly custom look (VA). Standard vinyl on acrylic options include White Marble (WM), Blue Marble (BM), Amber Swirl (AS) and Yellow Linen (YL).

Contact Tempo for additional diffuser options or trim features.

POWER SYSTEM

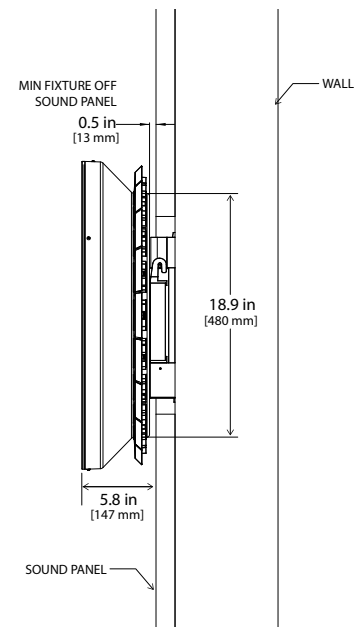
- 120V Integral Driver
- Remote driver available
- Triac dimming

PERFORMANCE

- Power levels, nominal 26W on perimeter and 4W on inner. Delivered lumens are dependent on the configured diffuser
- Lumen maintenance is greater than 85% at 86,000 hours for all product configurations (L85 at 86,000 hrs)
- Power Supply Total Harmonic Distortion <20%, Power Factor >0.9

LIGHT CHARACTERISTICS

- Available in 2700K, 3000K, 3500K, 4000K color temperature and Red, Green, Blue or Amber. The perimeter modules may be specified with a different color or color temperature than the central face light.



2" Offset Mounting Bracket option shown

WARRANTY

Tempo provides a 5 year limited warranty. A 10 year limited warranty will apply when installed by a Tempo Certified Installer.



Sunburst Sconce

INTEGRAL POWER SYSTEM

ORDERING INFORMATION

Example: **SBS-WM-30-120T-2730-BK-2**

Sunburst Sconce, White Marble Vinyl, 30 W, 120V, Lutron Triac dimming, 2700K Front Light, 3000K Perimeter Light, Black finish, 2" offset mounting

| SBS | | 30 | 120 | T | | | BK | |
|-----------------|--|--|-----------------|--|--|--|-----------------|--|
| PLATFORM | | PERFORMANCE | | | COLOR CHARACTERISTICS | | | |
| Sunburst Sconce | Front Lens | Power Level (nominal) | Voltage | Dimming | Front Light | Perimeter Light | Finish | Mounting |
| SBS | W White WM White Marble (Vinyl) BM Blue Marble (Vinyl) AS Amber Swirl (Vinyl) YL Yellow Linen (Vinyl) CV Custom Vinyl | 30 26 W Outer & 4 W Inner | 120 120V | T Lutron HiLume 1% 2-wire LED driver (120V forward phase) -LTEA2W | N None 27 2700K 30 3000K 35 3500K 40 4000K RD Red GR Green BL Blue AM Amber | N None 27 2700K 30 3000K 35 3500K 40 4000K RD Red GR Green BL Blue AM Amber | BK Black | 2 2" offset surface 3 3" offset surface |

REQUIRED SYSTEM INTEGRATION ACCESSORIES

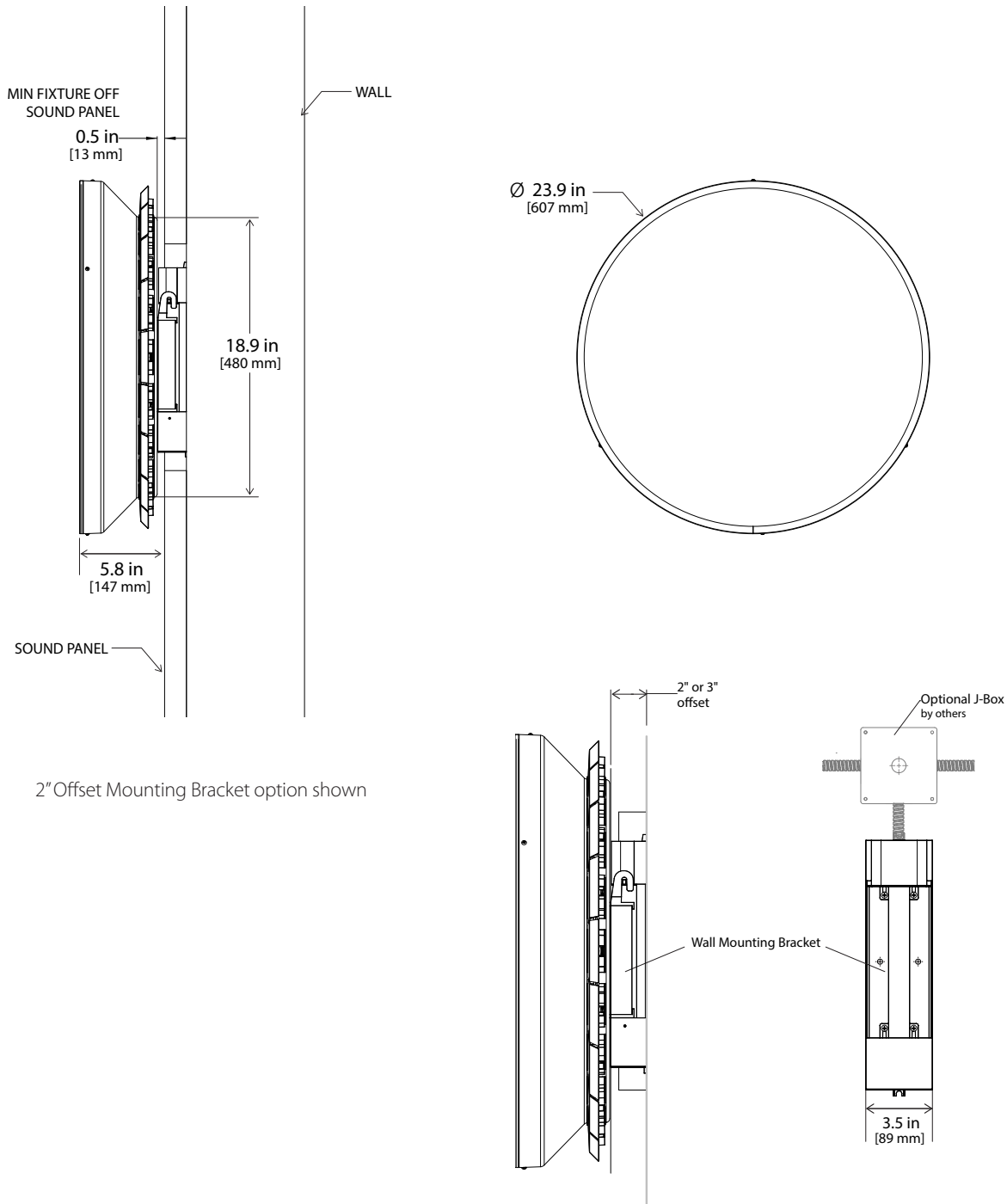
| MOUNTING BRACKETS | | |
|-------------------|-------------------|---|
| | C-BRK-2C | Surface Mounting Bracket, 2" Offset |
| | C-BRK-3(x) | Consult factory for optional 3" Offset Surface Mounting Bracket |

| SURGE SUPPRESSION DEVICE <small>A Tempo furnished surge suppression device must be installed on each supplying branch circuit to comply with Tempo's 5-year warranty terms</small> | | |
|--|----------------|---------------------|
| | SSD-120 | 120V Branch Circuit |

Sunburst Sconce

INTEGRAL POWER SYSTEM

DIMENSIONAL INFORMATION



2" Offset Mounting Bracket option shown

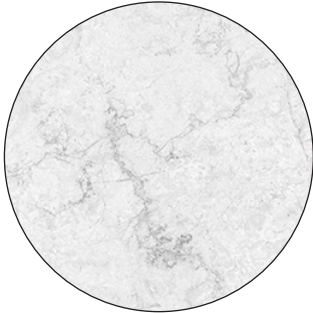
Sunburst Sconce

INTEGRAL POWER SYSTEM

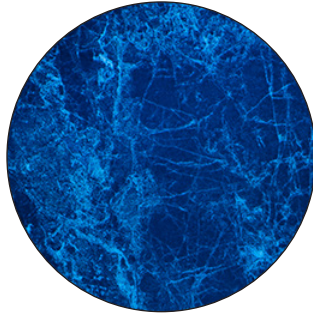
VINYL ON ACRYLIC LENS OPTIONS

Images shown for reference only, appearance will vary depending on LED CCT or color selection and sconce size. Custom options also available (VA).

White Marble (WM)



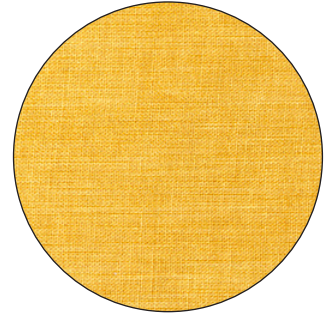
Blue Marble (BM)



Amber Swirl (AS)



Yellow Linen (YL)



Tempo products and technologies are protected under one or more US and International patents.

Tempo reserves the right to change materials or modify the design of its product without notification as part of the company's continuing product improvement program. Please consult www.tempollc.com for the most up-to-date specifications and technical data.