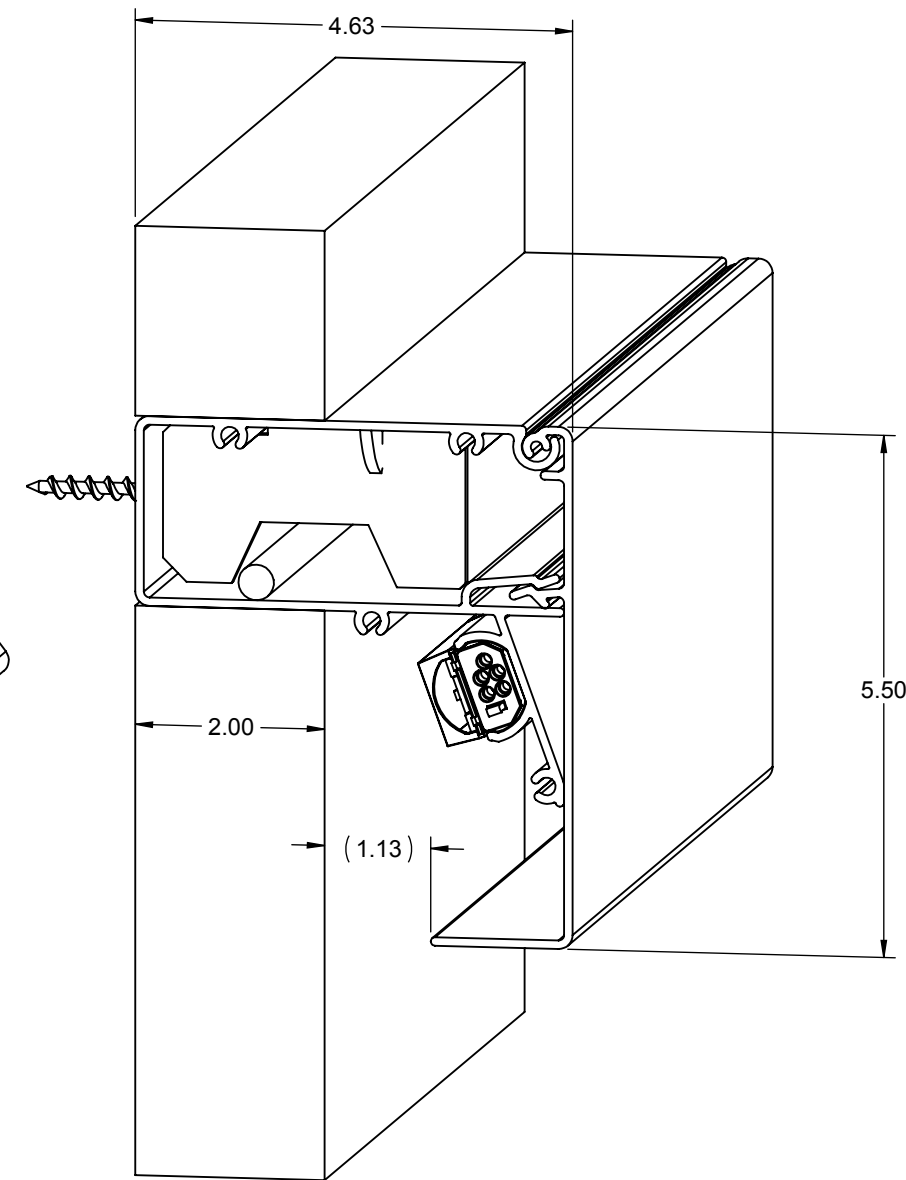
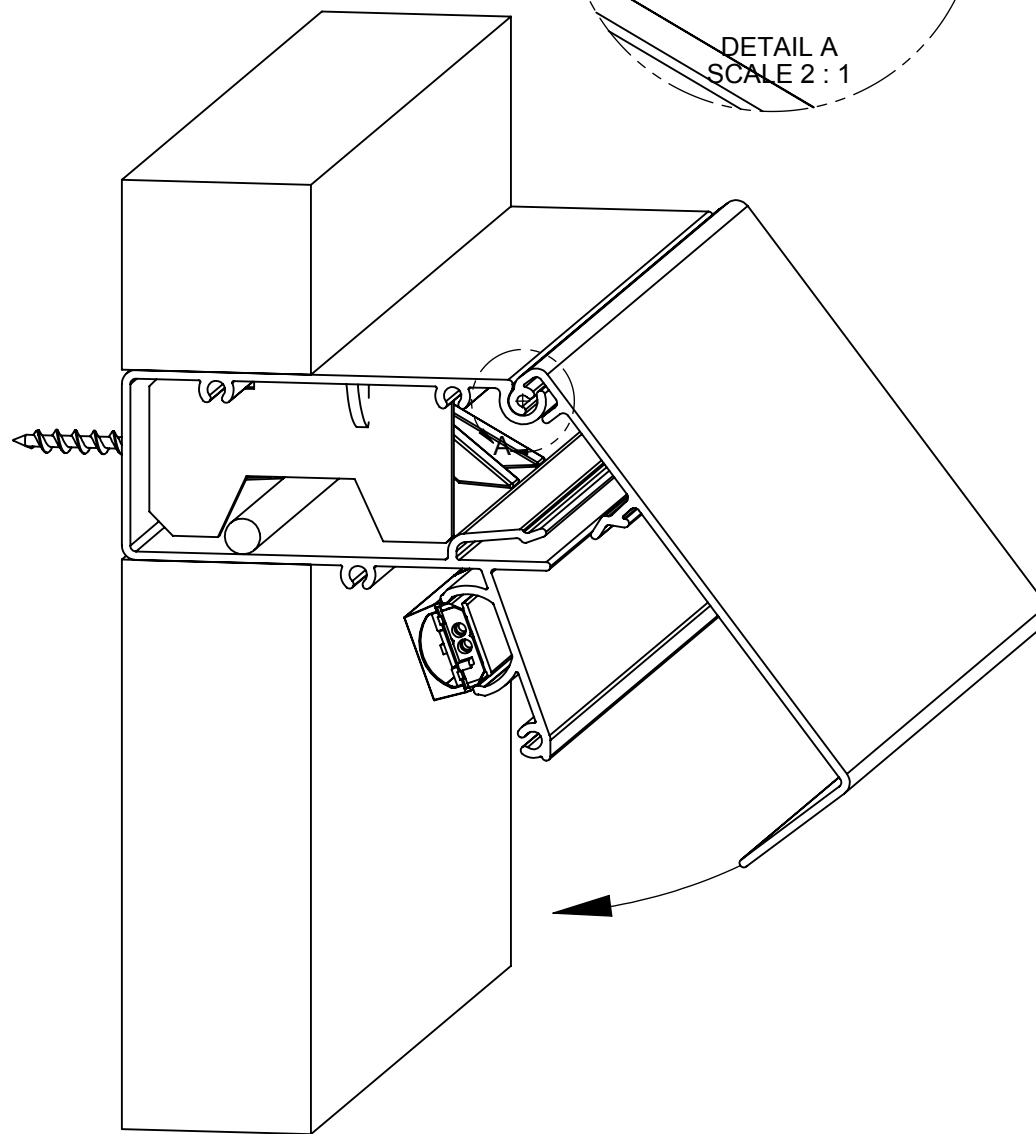
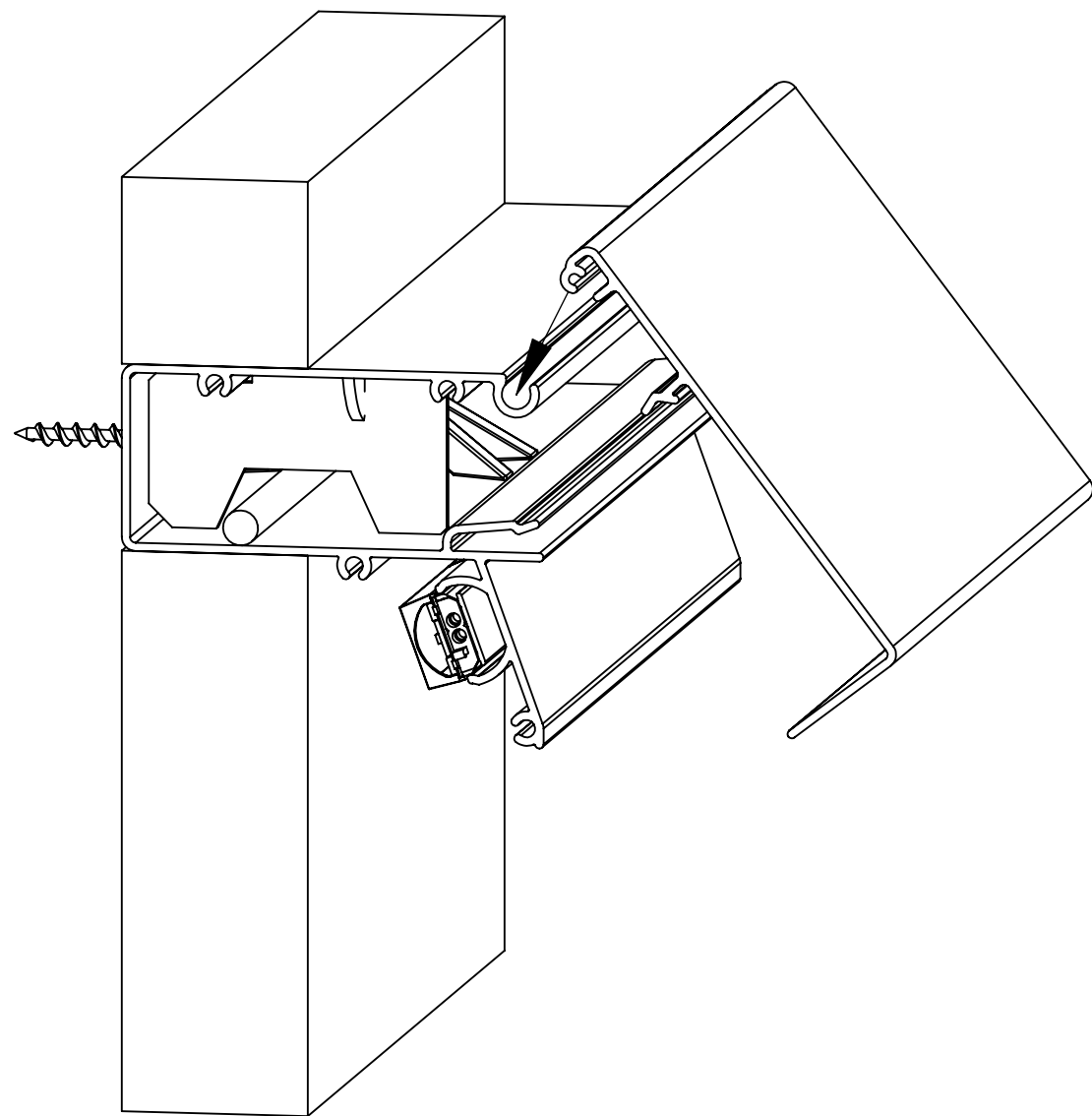
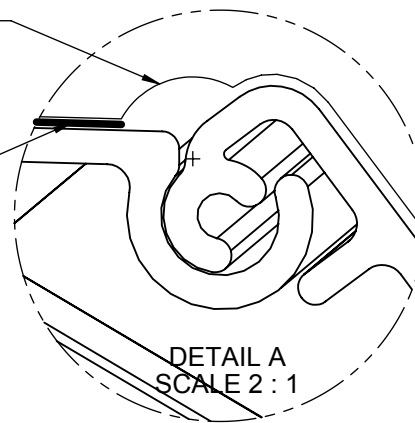


FABRIC SHOULD NOT IMPEDE HINGING AREA OR IT COULD INTERFERE WITH COVER ENGAGEMENT TO BACK BOX

DOUBLE SIDED TAPE FOR EXCESS FABRIC AFTER ENGAGING COVER TO BACK BOX



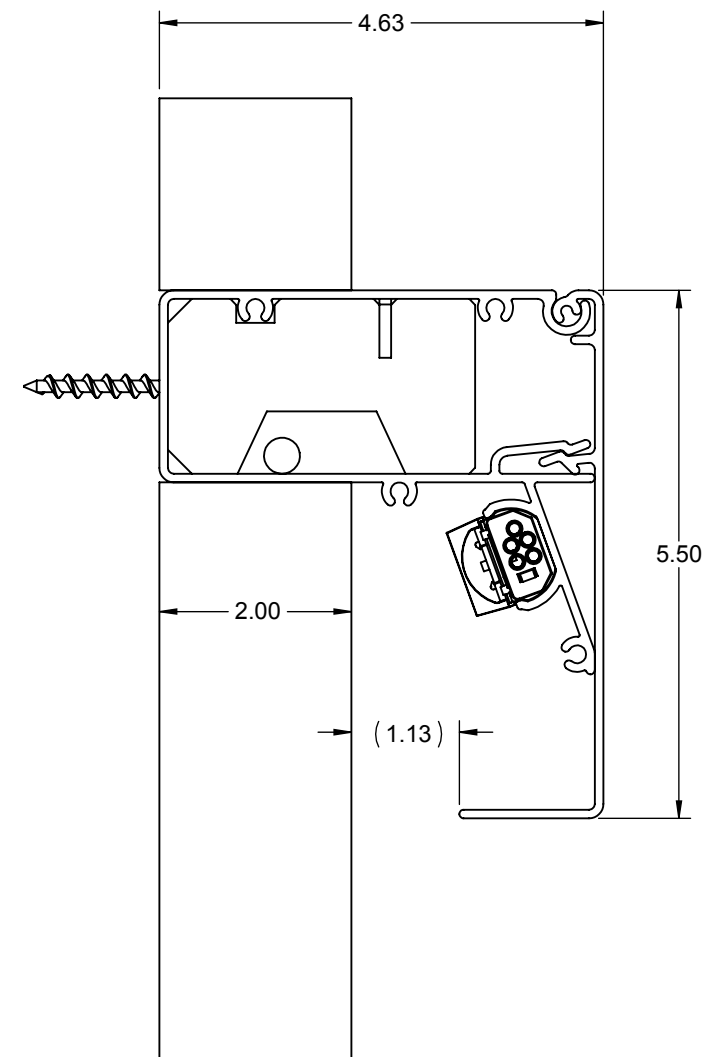
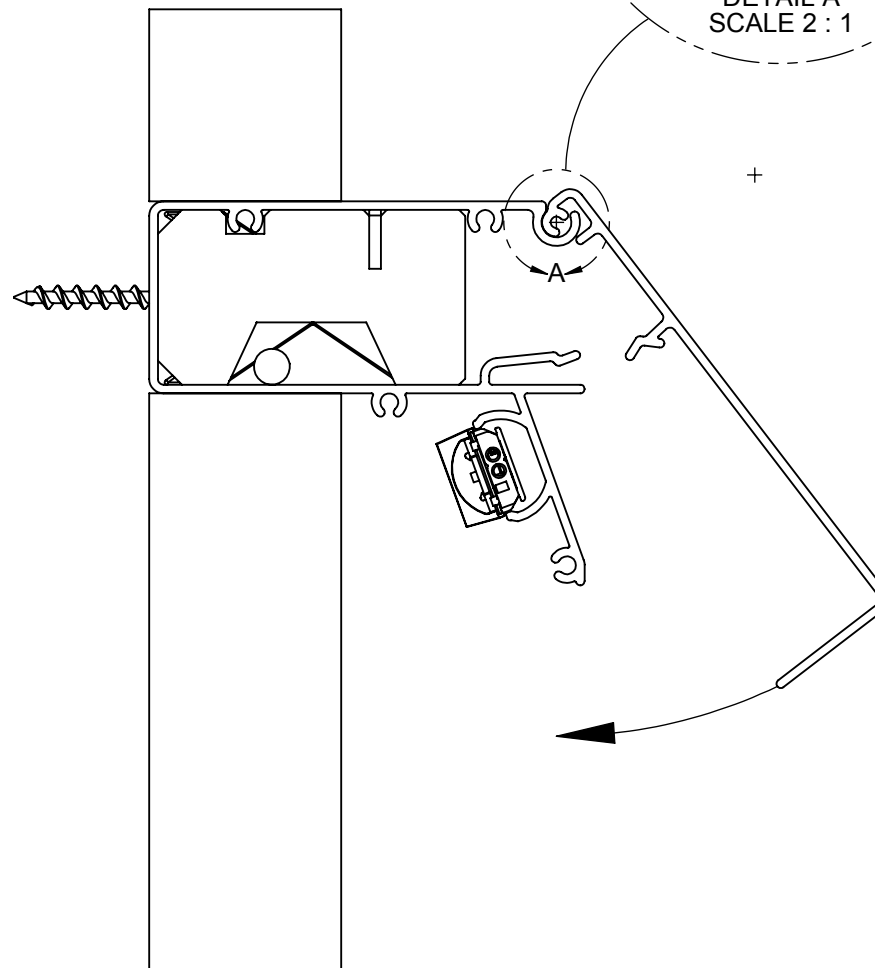
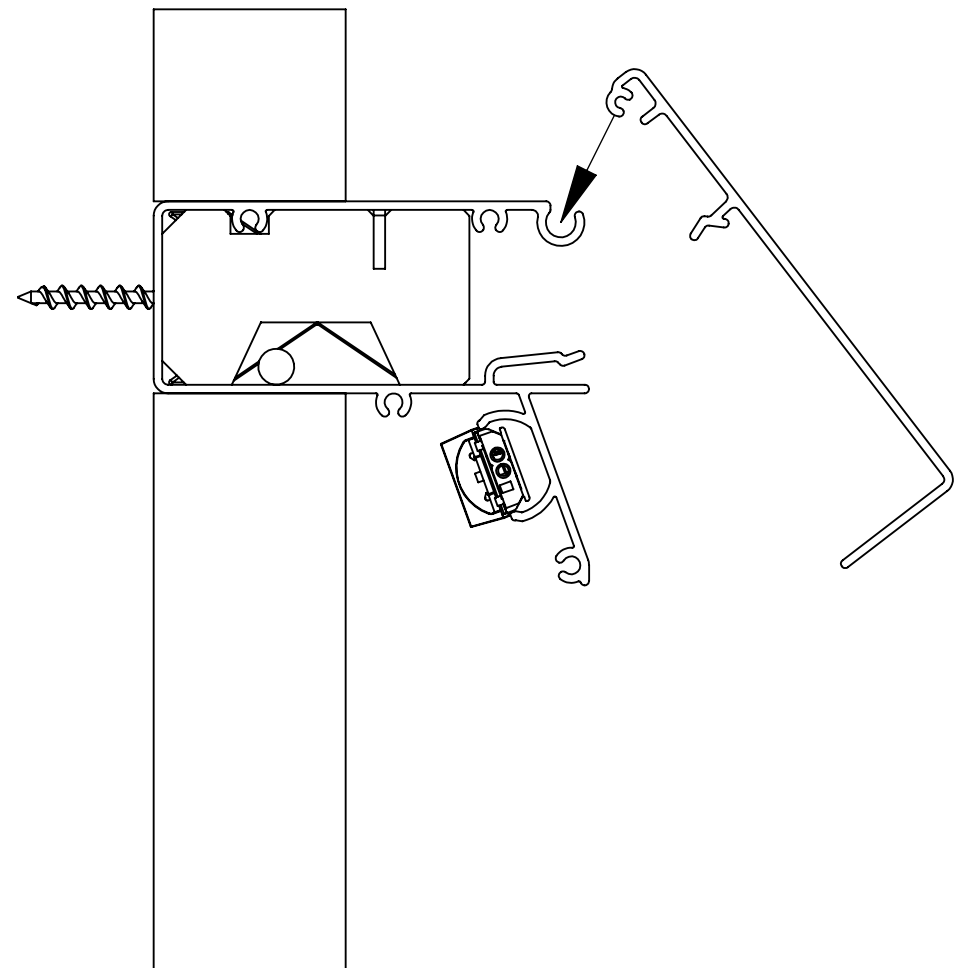
UNLESS OTHERWISE SPECIFIED: DIMENSIONS ARE IN INCHES TOLERANCES: ANGULAR: ±1/2DEG DECIMAL: .X ±0.030 .XX ±0.015 .XXX ±0.005 HOLES: UNDER 0.500 ±0.005 OVER 0.501 ±0.010		NAME	DATE	PRODUCT:	tempo
DO NOT SCALE DRAWING	DRAWN	shaunt	3/31/2017	TITLE:	
MATERIAL	CHECKED			SIZE	PART. NO.
FINISH	ENG APPR.			B	
	MFG APPR.			SCALE: 1:2.5	WEIGHT:
	DERIVED FROM				SHEET 1 OF 3
	COMMENTS:				

The information contained in this document is the sole property of Tempo Industries. Reproduction in part or as a whole without the written permission of Tempo Industries Inc., is prohibited.

FABRIC SHOULD NOT IMPEDE HINGING AREA OR IT COULD INTERFERE WITH COVER ENGAGEMENT TO BACK BOX

DOUBLE SIDED TAPE FOR EXCESS FABRIC AFTER ENGAGING COVER TO BACK BOX

DETAIL A SCALE 2:1



UNLESS OTHERWISE SPECIFIED:
 DIMENSIONS ARE IN INCHES
 TOLERANCES:
 ANGULAR: ±1/2DEG
 DECIMAL: .X ±0.030
 .XX ±0.015
 .XXX ±0.005
 HOLES: UNDER 0.500 ±0.005
 OVER 0.501 ±0.010

DO NOT SCALE DRAWING
 MATERIAL
 FINISH

NAME	DATE	PRODUCT:		
shaunt	3/31/2017	-		
DRAWN		TITLE:		
CHECKED				
ENG APPR.				
MFG APPR.				
DERIVED FROM		SIZE	PART. NO.	REV
COMMENTS:		B		
		SCALE: 1:2.5	WEIGHT:	SHEET 2 OF 3

tempo	
SIZE	PART. NO.
B	
SCALE: 1:2.5	WEIGHT:
	SHEET 2 OF 3