

DIM-Z

0-10V DIMMING INTERFACE MODULE



APPLICATION

Tempo's Dimming Interface Module converts a 0-10V dimming signal to an Electronic Low Voltage (ELV) dimming output to control fixtures with ELV drivers. One DIM-Z is required per run up to a maximum of 600W (120V) or 1,350W (277V).

DIM-Z does not affect the dimming characteristics of the fixture driver. For example, if using a driver that dims to 5% it will still dim to 5% when using the DIM-Z to convert 0-10V to ELV signal.

NOTE: 5 year warranty only valid when used with Tempo fixtures.

Limited warranty when used with non-Tempo fixtures. Any testing for compatibility between the DIM-Z and all non-Tempo fixtures is the sole responsibility of the customer. Tempo assumes no liability for malfunctions or defects when DIM-Z is used with fixtures other than Tempo's. Contact Tempo for more information on testing other fixtures with DIM-Z and lead times for high volume orders.

CONSTRUCTION

- Aluminum housing with extruded aluminum heat sinks
- 48" lead wires, 16 gauge, within 36" flex conduit
- Self-diagnostic fault indicator
- CSA dry location listed
- Plenum rated

PERFORMANCE

- 120-277VAC Universal line voltage, 50/60 Hz
- 0-10V dimming input converts to Electronic Low Voltage (ELV) signal via a microprocessor based controller.
- 600W Max (120V); 1,350W Max (277V)
- One DIM-Z per fixture run
- Operating temperature range of -20°C to 50°C
- Tempo recommends using surge suppression device on each circuit to protect DIM-Z and fixtures.

**MADE IN
USA**
OF US AND IMPORTED COMPONENTS

WARRANTY

Tempo provides a 5-year limited warranty when used with Tempo fixtures.



US Patent-Pending

ORDERING INFORMATION

DIM	Z
PLATFORM	DIMMING
DIM	Z Dimming Interface Module, Converts 0-10V Signal to ELV

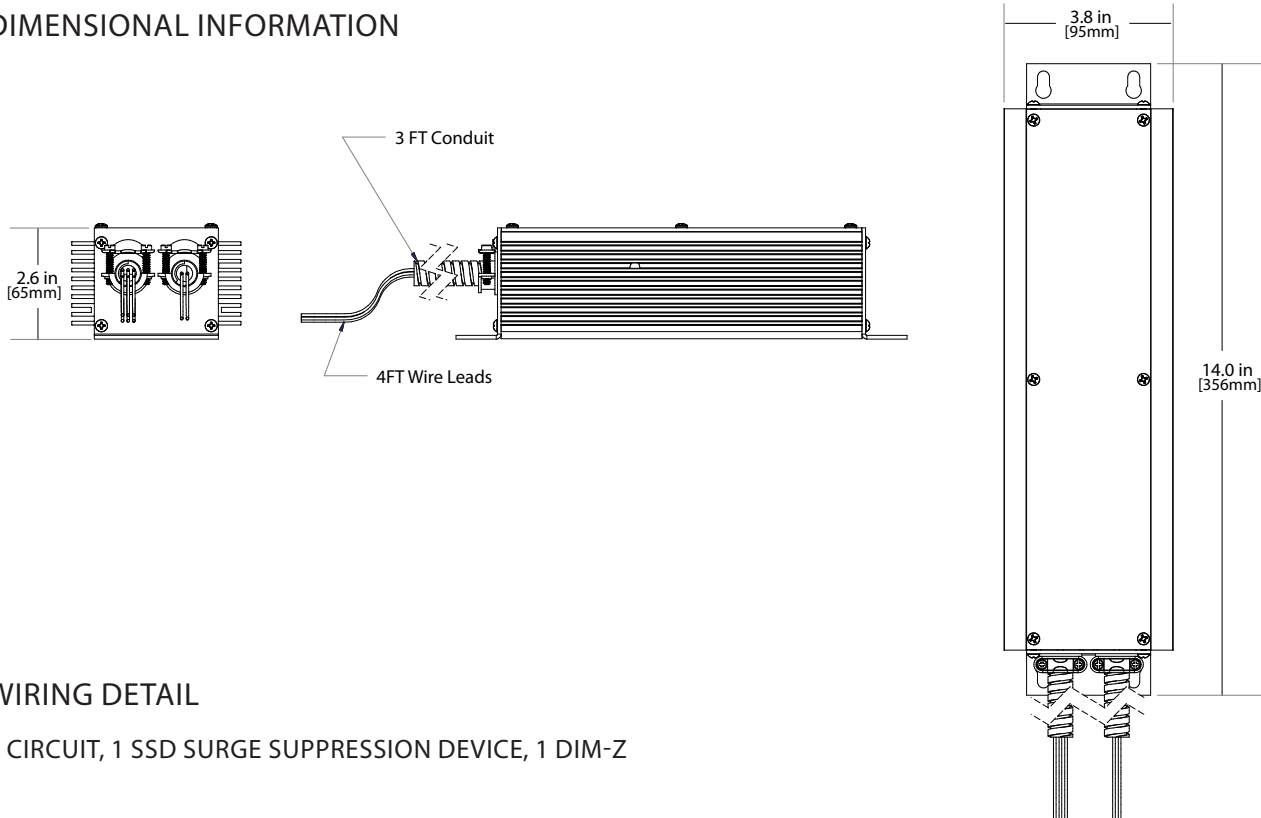
Tempo products and technologies are protected under one or more US and International patents.

Tempo reserves the right to change materials or modify the design of its product without notification as part of the company's continuing product improvement program. Please consult www.tempolc.com for the most up-to-date specifications and technical data.

DIM-Z

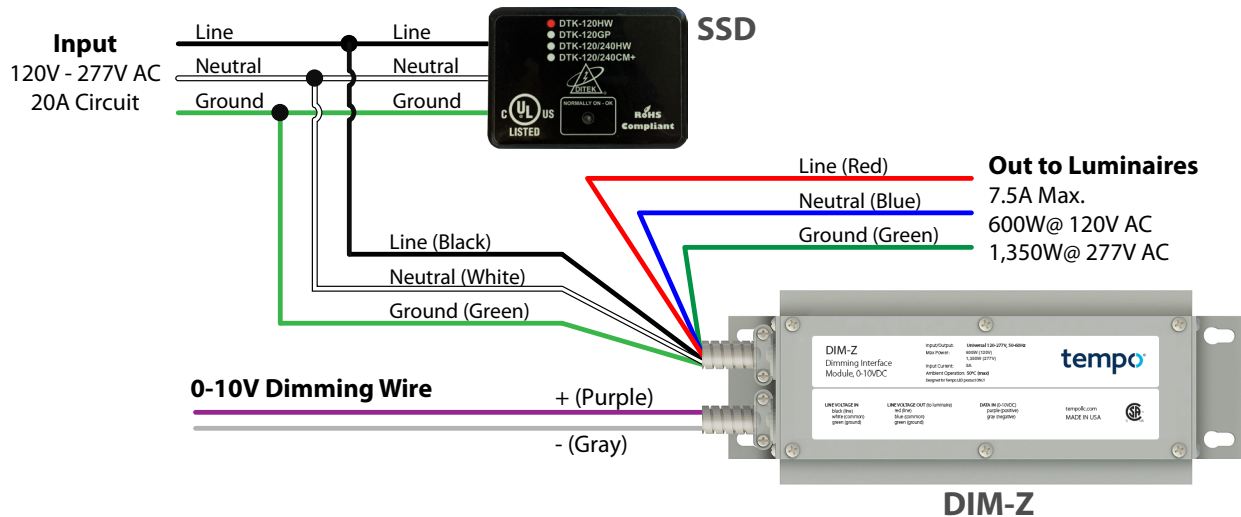
0-10V DIMMING INTERFACE MODULE

DIMENSIONAL INFORMATION



WIRING DETAIL

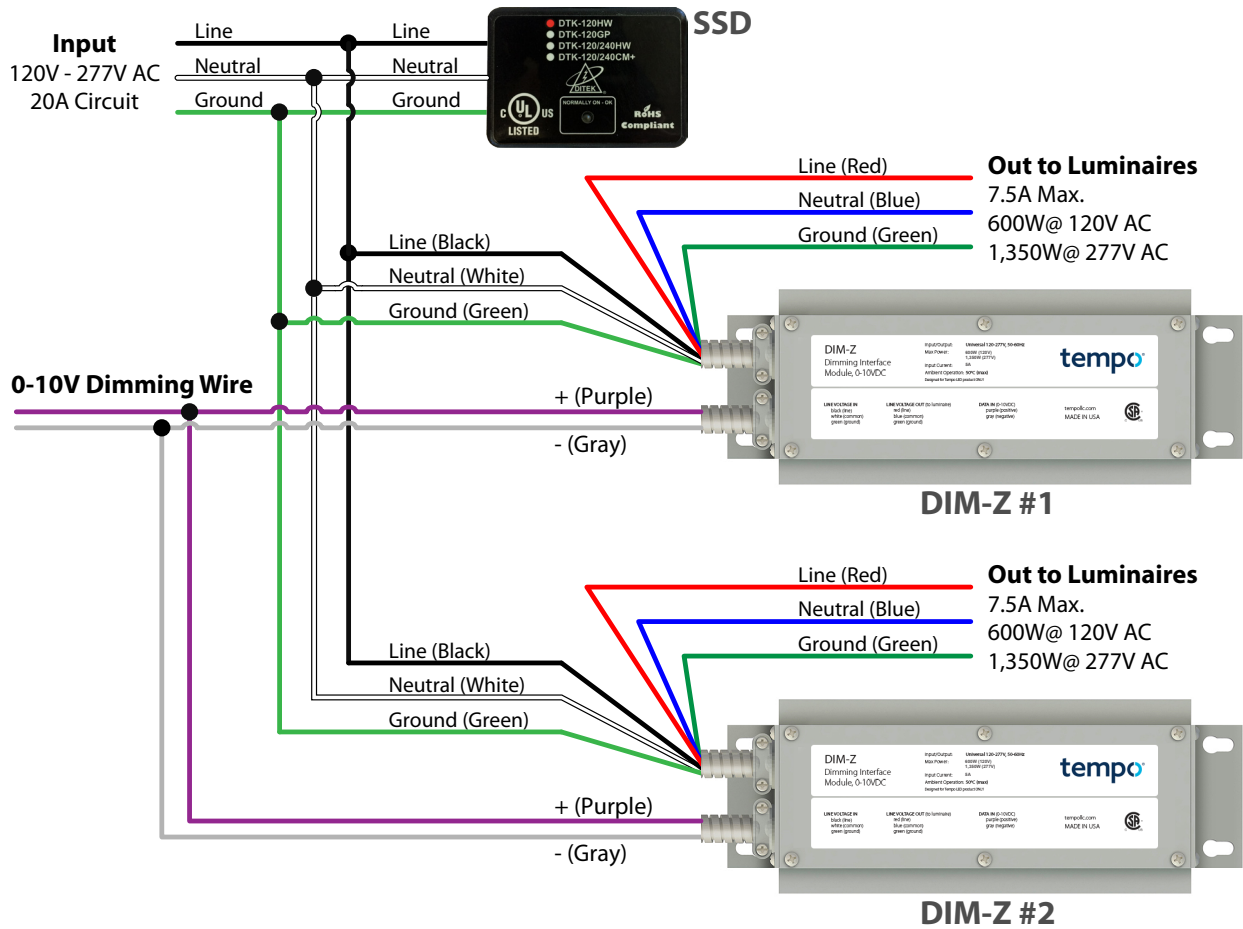
1 CIRCUIT, 1 SSD SURGE SUPPRESSION DEVICE, 1 DIM-Z



NOTE: No limit to number of runs from output of DIM-Z as long as total wattage does not exceed 600W@ 120V or 1,350W@ 277V.

WIRING DETAIL

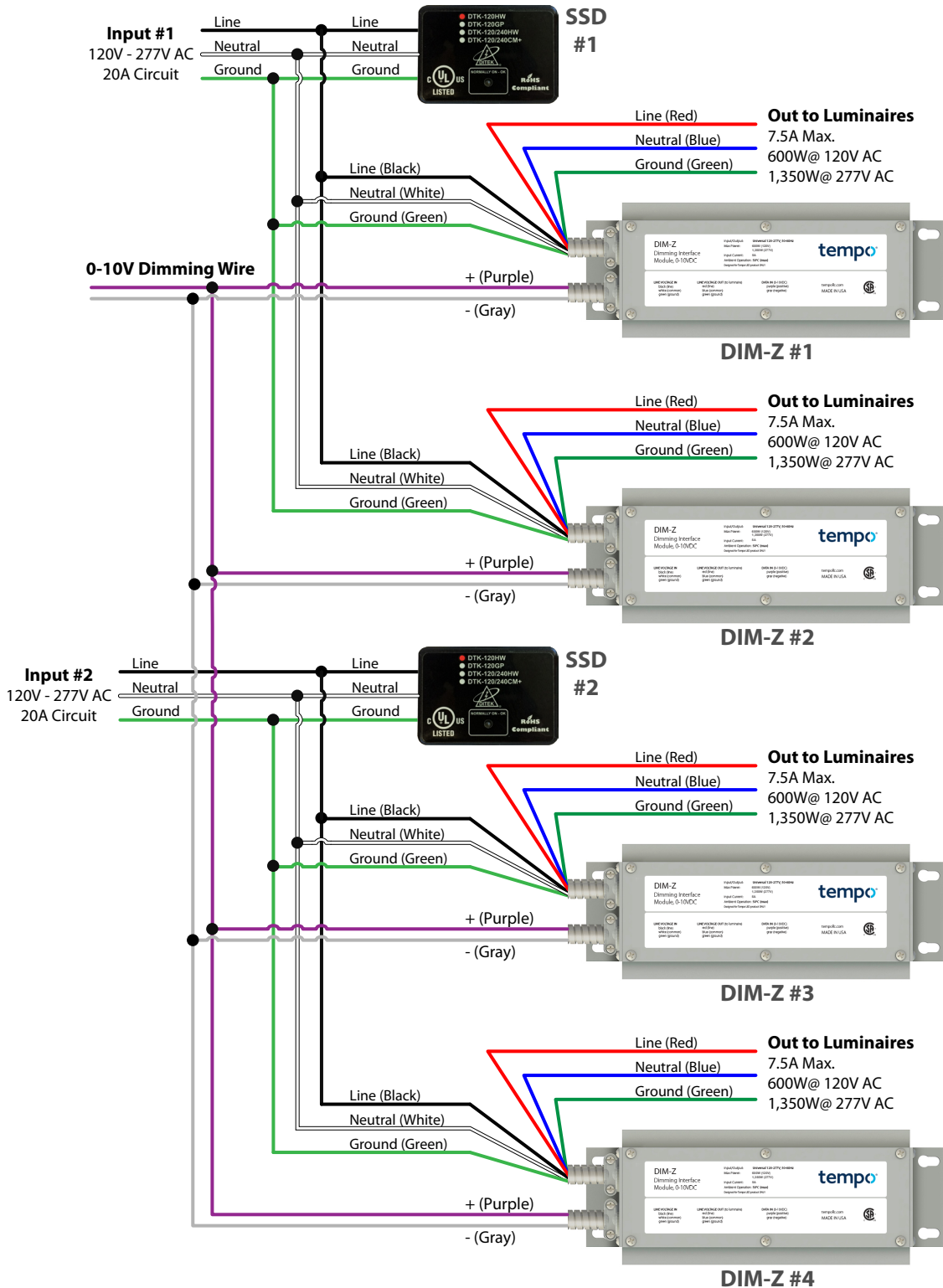
1 CIRCUIT, 1 SSD SURGE SUPPRESSION DEVICE, 2 DIM-Z



NOTE: No limit to number of runs from output of DIM-Z as long as total wattage does not exceed 600W@ 120V or 1,350W@ 277V.

WIRING DETAIL

2 CIRCUIT, 2 SSD SURGE SUPPRESSION DEVICE, 4 DIM-Z



NOTE: No limit to number of runs from output of DIM-Z as long as total wattage does not exceed 600W@ 120V or 1,350W@ 277V.