

A

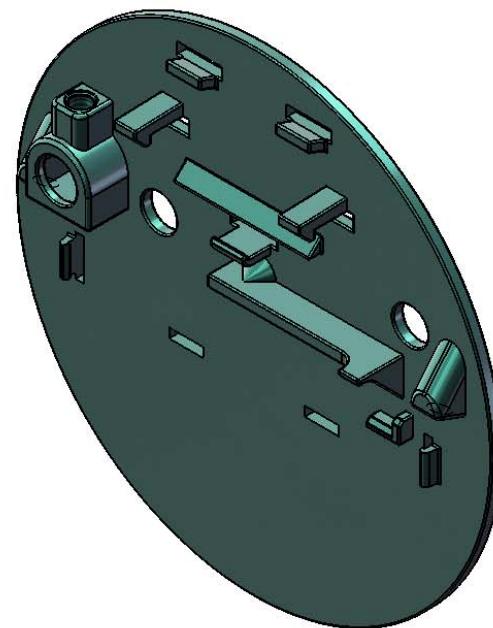
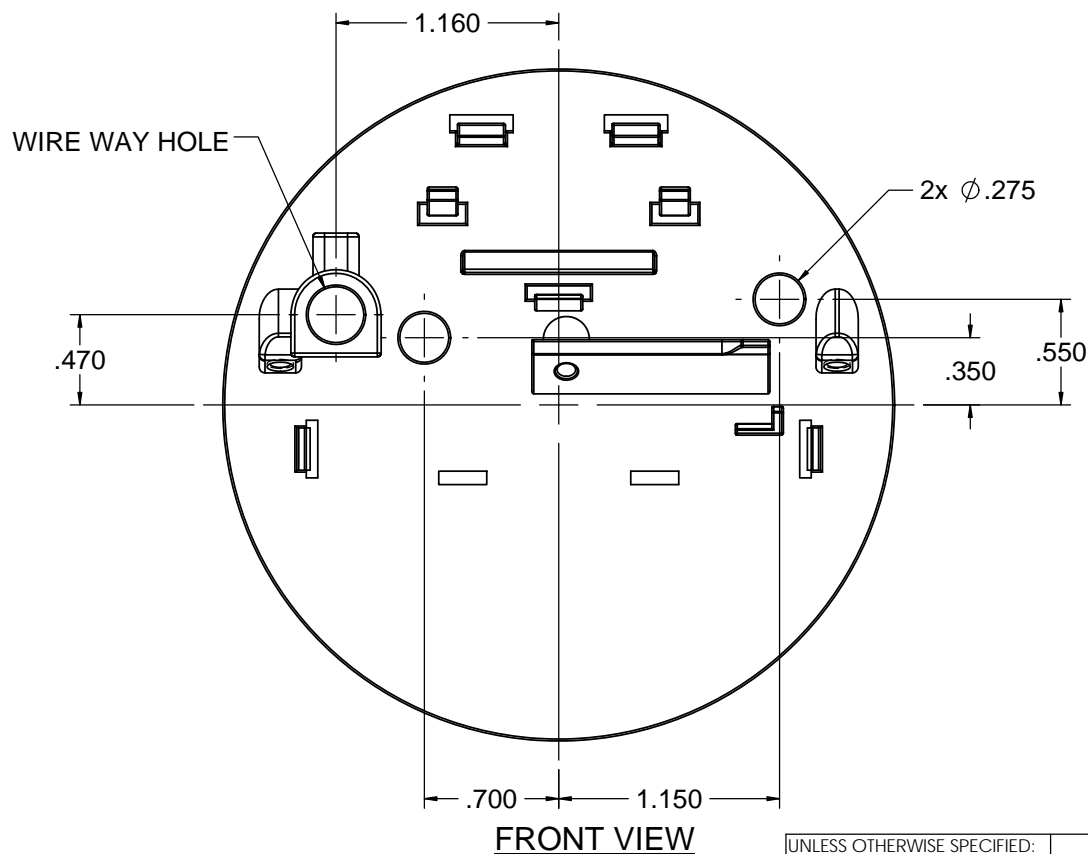
B

C

D

NOTE:

- FOR MOUNTING HOLE PATTERN
- USE 2 1/4" SCREWS TO ATTACH TO MOUNTING SURFACE.
- TRADE SIZE 3/16" CONDUIT TO BE USED AS WIRE WAY. USE DRILL 21/64 (ϕ .3281)



UNLESS OTHERWISE SPECIFIED:
 DIMENSIONS ARE IN INCHES
 TOLERANCES:
 ANGULAR: $\pm 1/2$ DEG
 DECIMAL: .X ± 0.030
 .XX ± 0.015
 .XXX ± 0.005
 HOLES: UNDER 0.500 ± 0.005
 OVER 0.501 ± 0.010

DO NOT SCALE DRAWING

MATERIAL -

FINISH -

COLOR -

NAME DATE

DRAWN BY R.F. 5/2/2016

CHECKED

ENG APPR.

MFG APPR.

DERIVED FROM

COMMENTS:

PRODUCT:

TITLE:

MOUNTING BASE - RSL

SIZE
A

PART. NO.

25104

REV
E

SCALE: 1:1

WEIGHT:

SHEET 1 OF 1