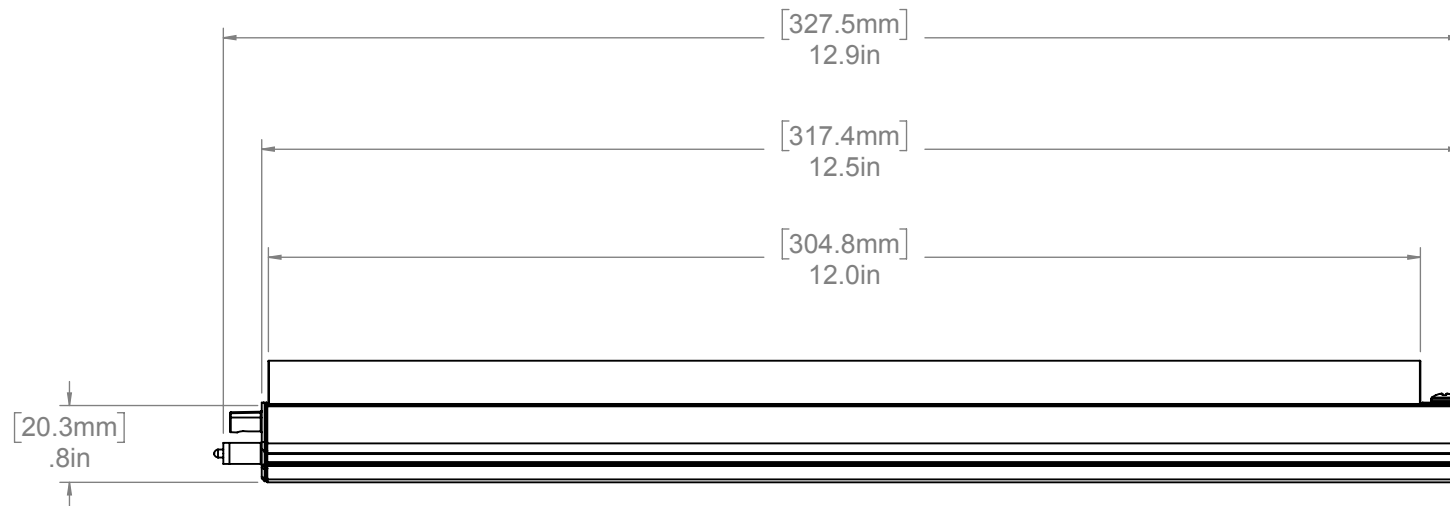
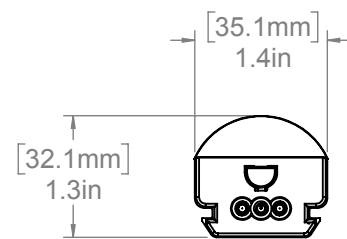
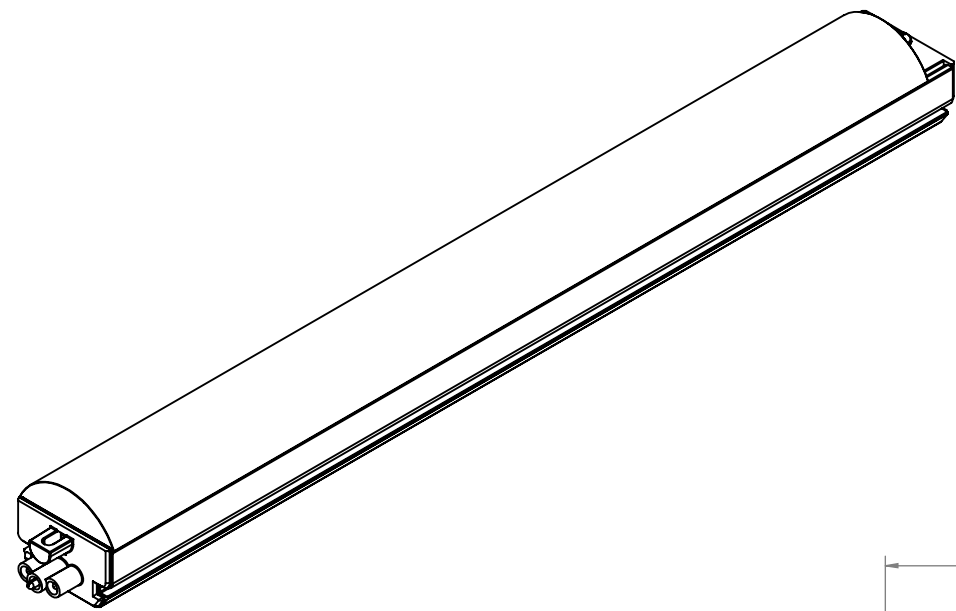


8 7 6 5 4 3 2 1

D
C
B
A

D
C
B
A



UNLESS OTHERWISE SPECIFIED:
 DIMENSIONS ARE IN INCHES
 TOLERANCES:
 ANGULAR: ±1/2DEG
 DECIMAL: .X ±0.030
 .XX ±0.015
 .XXX ±0.005
 HOLES: UNDER 0.500 ±0.005
 OVER 0.501 ±0.010
 INTERPRET GEOMETRIC TOLERANCING PER:
 MATERIAL SW-Material
 FINISH -
 COLOR -

	NAME	DATE
DRAWN	JBB	3/3/2016
CHECKED		
ENG APPR.		
MFG APPR.		
Q.A.		
COMMENTS:	DO NOT SCALE DRAWING	



TITLE: C5R Assy- 1FT		
SIZE B	PART. NO.	REV -
SCALE: 1:2	WEIGHT:	SHEET 1 OF 1

The information contained in this document is the sole property of Tempo Industries. Reproduction in part or as a whole without the written permission of Tempo Industries Inc., is prohibited.

8 7 6 5 4 3 2 1