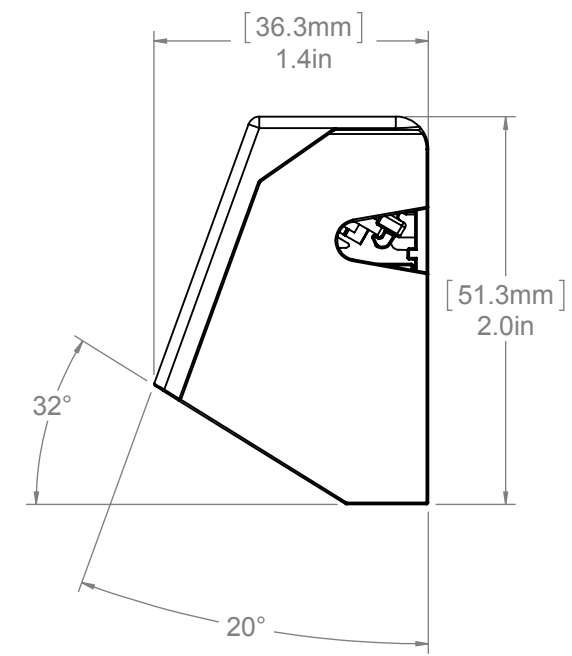
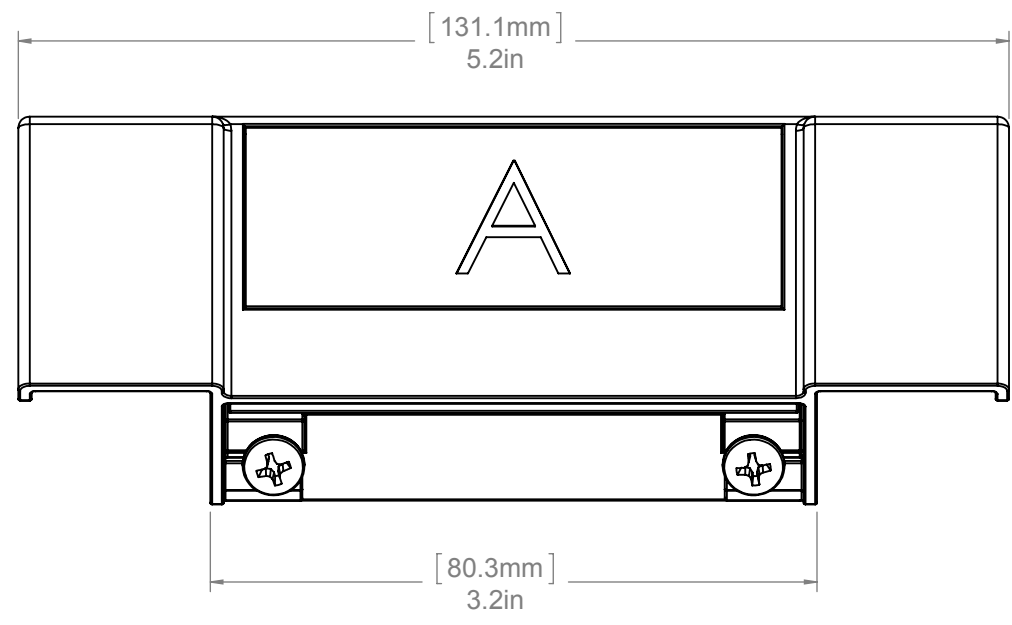


8 7 6 5 4 3 2 1

D  
C  
B  
A

D  
C  
B  
A



The information contained in this document is the sole property of Tempo Industries. Reproduction in part or as a whole without the written permission of Tempo Industries Inc., is prohibited.

UNLESS OTHERWISE SPECIFIED:		NAME	DATE	<b>tempo</b>			
DIMENSIONS ARE IN INCHES		DRAWN	JBB			8/3/2015	
TOLERANCES:		CHECKED		TITLE:			
ANGULAR: ±1/2DEG		ENG APPR.					
DECIMAL: .X ±0.030		MFG APPR.					
.XX ±0.015		Q.A.					
.XXX ±0.005		COMMENTS:		SIZE			
HOLES: UNDER 0.500 ±0.005		DO NOT SCALE DRAWING		PART. NO.			
OVER 0.501 ±0.010				REV			
INTERPRET GEOMETRIC TOLERANCING PER:				SCALE: 1:1		WEIGHT:	SHEET 1 OF 1
MATERIAL SW-Material							
FINISH -							
COLOR -							

8 7 6 5 4 3 2 1