

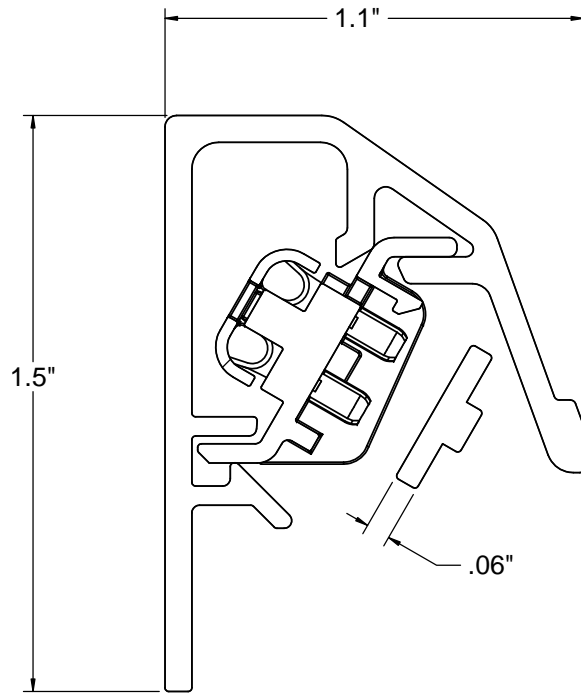
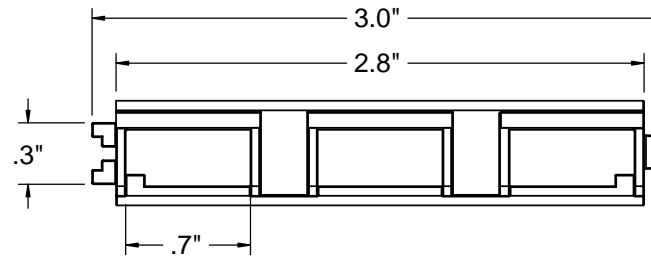
A


B

C

D

SW3 DIMENSIONAL INFORMATION

OPTIONAL BAFFLE DETAIL
(FULL SCALE)

UNLESS OTHERWISE SPECIFIED: DIMENSIONS ARE IN INCHES TOLERANCES: ANGULAR: $\pm 1/2$ DEG DECIMAL: .X ± 0.030 .XX ± 0.015 .XXX ± 0.005 HOLES: UNDER 0.500 ± 0.005 OVER 0.501 ± 0.010		NAME	DATE	PRODUCT:		
	DRAWN BY	JMG	8/13/2015	DESCRIPTION: SW3 LED Assembly Detail		
	CHECKED					
	ENG APPR.					
DO NOT SCALE DRAWING	DERIVED FROM			SIZE	PART. NO.	REV
MATERIAL	COMMENTS:			A	-	-
FINISH				SCALE: 2:1	WEIGHT:	SHEET 1 OF 1
COLOR						

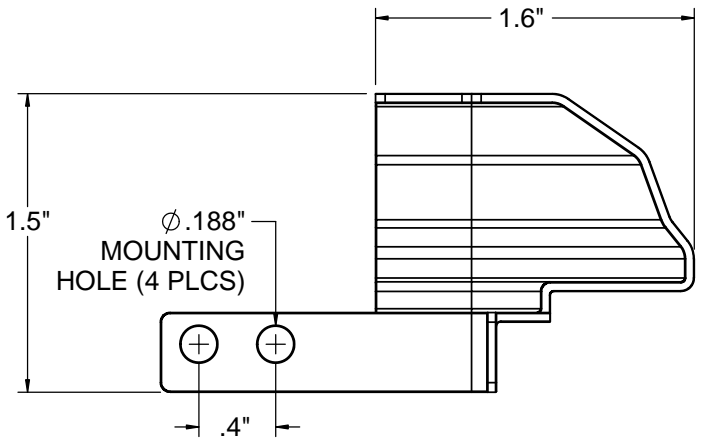
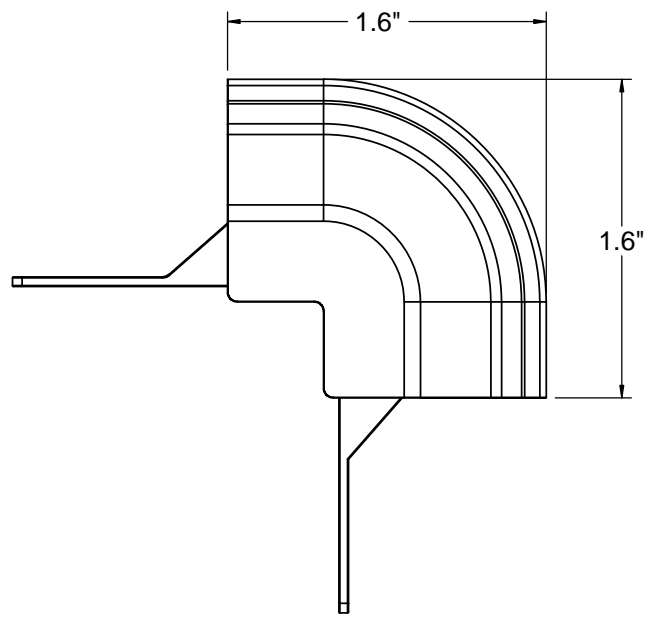
The information contained in this document is the sole property of Tempo Industries. Reproduction in part or as a whole without the written permission of Tempo Industries Inc., is prohibited.

A

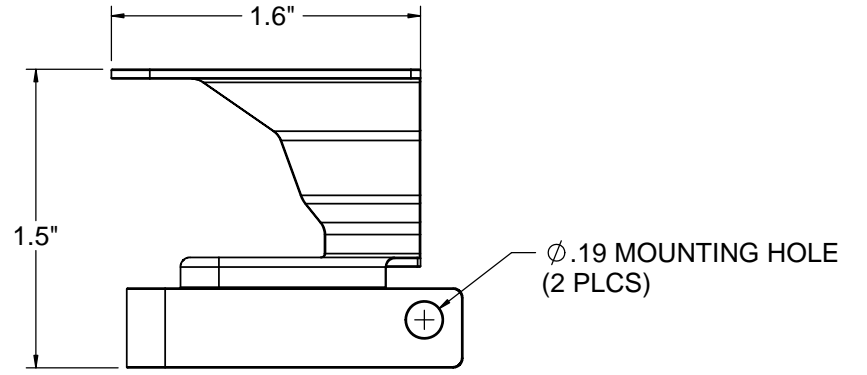
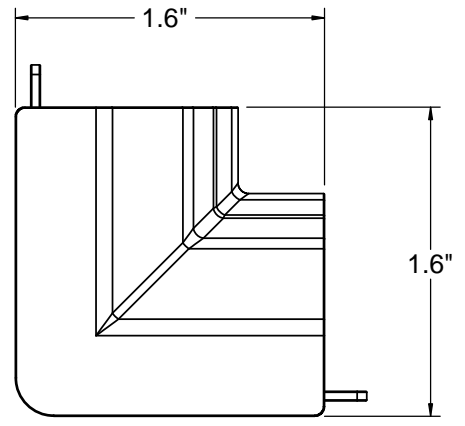
B

C

D



**SWIII OUTSIDE CORNER
3200BK-CNR-O**



**SWIII INSIDE CORNER
3200BK-CNR-I**

UNLESS OTHERWISE SPECIFIED:
DIMENSIONS ARE IN INCHES
TOLERANCES:
ANGULAR: ±1/2DEG
DECIMAL: .X ±0.030
.XX ±0.015
.XXX ±0.005
HOLES: UNDER 0.500 ± 0.005
OVER 0.501 ± 0.010

DO NOT SCALE DRAWING
MATERIAL -
FINISH -
COLOR -

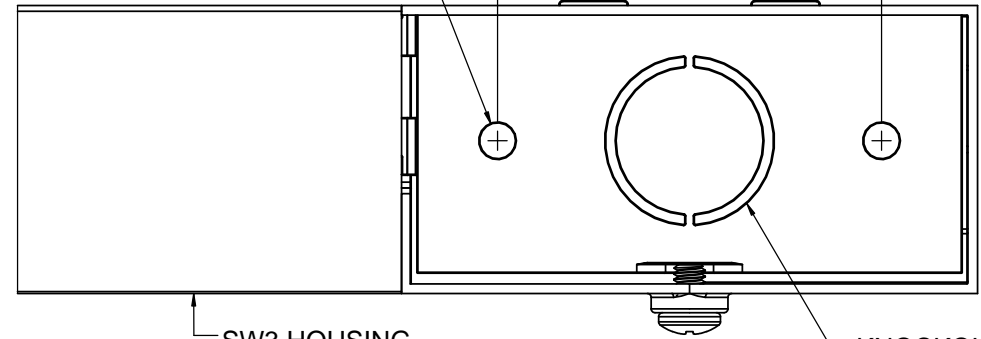
	NAME	DATE
DRAWN BY	JMG	8/24/2015
CHECKED		
ENG APPR.		
MFG APPR.		
DERIVED FROM		
COMMENTS:		

PRODUCT:		tempo [®]	
DESCRIPTION: SW3 INSIDE/OUTSIDE CORNER DETAIL			
SIZE	PART. NO.	REV	
A	-	-	
SCALE: 1:1	WEIGHT:	SHEET 1 OF 1	

The information contained in this document is the sole property of Tempo Industries. Reproduction in part or as a whole without the written permission of Tempo Industries Inc., is prohibited.

Ø.19 MOUNTING HOLES
(2 PLCS)

2.0"

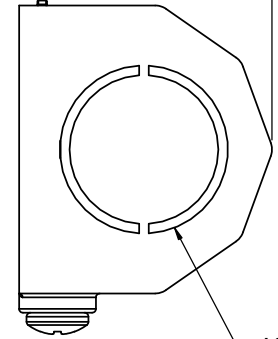


SW3 HOUSING
EXTRUSION

KNOCKOUT ON BACK
OF END J-BOX

BACK VIEW

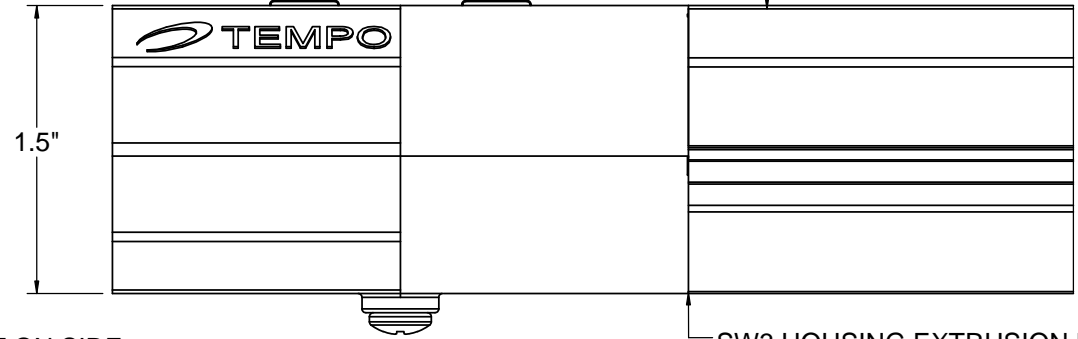
1.32"



KNOCKOUT ON SIDE
OF END J-BOX

SIDE VIEW

3.0"



SW3 HOUSING EXTRUSION

1.5"

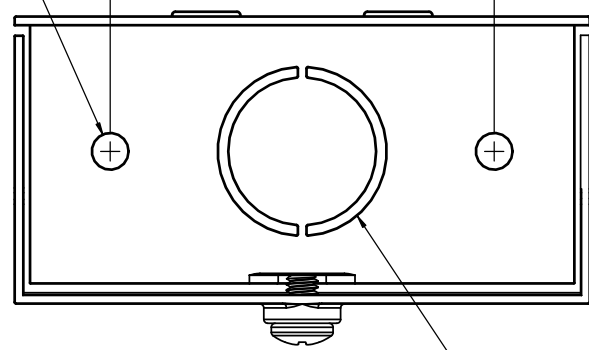
SW3 HOUSING EXTRUSION MOUNTS
FLUSH AGAINST END J-BOX

FRONT VIEW

**SWIII END J-BOX
3200BK-EJBOX-L/R
(LEFT SHOWN)**

Ø.19 MOUNTING HOLES
(2 PLCS)

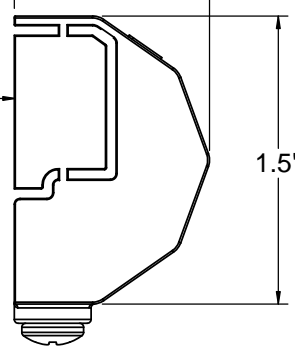
2.0"



KNOCKOUT ON BACK
OF CENTER J-BOX

BACK VIEW

1.0"

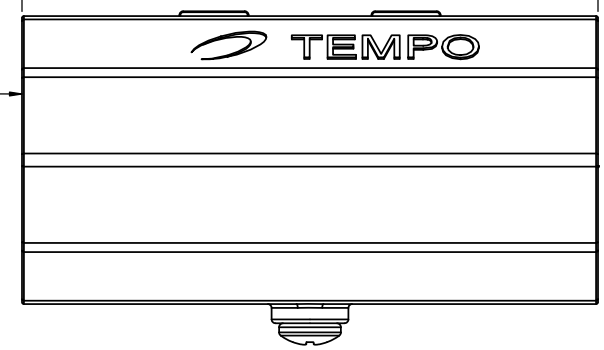


KNOCKOUT ON
SIDE OF CENTER
J-BOX (BOTH SIDES)

1.5"

SIDE VIEW

3.0"



SW3 HOUSING EXTRUSION
(NOT SHOWN) MOUNTS FLUSH
AGAINST BOTH SIDES OF
CENTER J-BOX.

FRONT VIEW

**SWIII CENTER J-BOX
3200BK-CJBOX**

UNLESS OTHERWISE SPECIFIED:
DIMENSIONS ARE IN INCHES
TOLERANCES:
ANGULAR: ±1/2DEG
DECIMAL: .X ±0.030
.XX ±0.015
.XXX ±0.005
HOLES: UNDER 0.500 ±0.005
OVER 0.501 ±0.010
INTERPRET GEOMETRIC
TOLERANCING PER:
MATERIAL
FINISH
COLOR

NAME	DATE
DRAWN	JMG 8/24/2015
CHECKED	
ENG APPR.	
MFG APPR.	
Q.A.	
COMMENTS:	DO NOT SCALE DRAWING

TITLE: SW3 J-BOX DETAIL		
SIZE B	PART. NO. -	REV -
SCALE: FULL	WEIGHT:	SHEET 1 OF 1

The information contained in this document is the sole property of Tempo Industries. Reproduction in part or as a whole without the written permission of Tempo Industries Inc., is prohibited.