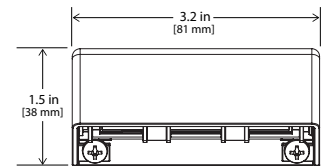


Sentinel™ Seat Light I



With optional row marker



APPLICATION

Tempo's Sentinel Seat Light I is a low voltage, class 2 LED step and aisle lighting luminaire that utilizes lighting class LED's to provide broad and uniform lighting distribution from low mounting heights. The Seat Light I is ideal for center aisles and stairways in cinemas, theaters and live performance venues where an adjacent wall is not available for wall mounted luminaires. Designed to provide a wide and uniform distribution of light over a path of egress from a low mounting height, the Seat Light I can also direct patrons and staff via a customizable graphics panel.

CONSTRUCTION

- Rugged die cast aluminum housing
- Optional row marker/graphics panel
- Impact and vandal resistant
- Easily replaceable LED modules
- Low Voltage – Class 2 wiring
- 18 AWG wire leads (6ft) jacketed with 3/16" flex metal conduit (5ft)

POWER SYSTEM

- Remote, Class II magnetic transformer, 120V AC input, 12V AC output
- 29VDC option available - transformer supplied by others.

SUGGESTED COMPANION PRODUCTS

- LPS[®] and Guardian – Gray Stripe Step Nose extrusion
- LPS[®] – Raceway
- 12VAC Low Voltage transformers
- LPS J-Box

PERFORMANCE

- Less than 0.5 watts energy consumption
- Exceeds life safety code levels for performance environments
- Dimmable with compatible transformers
- Expected life (L85) 86,000+ hours of operation

LIGHT CHARACTERISTICS

- Available in 1600K, 2200K, 2700K, 3500K, 4000K plus Red, Green, Blue and Amber.
- 80+ Color Rendering Index (CRI)

WARRANTY

Tempo provides a 2 year limited warranty. A 5 year limited warranty will apply when installed by a Tempo Certified Installer.



Sentinel™ Seat Light I

ORDERING INFORMATION

SEAT LIGHT I

Example: 3401-BK-27K-12

3401 Series, Black Anodized, 2700K, 12V AC

3401			
PLATFORM			
Series	Metal Finish	Color Temperature¹	Voltage
3401 3401 Series	BK Black Anodized CUS Custom, Consult Factory	16K 1600K 22K 2200K 27K 2700K 35K 3500K 40K 4000K RD Red GR Green BL Blue AM Amber	12 12V AC 29² 29V DC



- (1) Consult factory for alternate color LED options.
(2) 29V DC transformer by others.

OPTIONAL ROW MARKET/ GRAPHICS PANEL

3401GP			
PLATFORM			
Series	Metal Finish	Graphics Plate Color	Plate Graphics (Text or Graphics)
3401GP Graphics Panel	BK Black CUS Custom, Consult Factory	BK Black Anodized SPL Custom Colors on Special Order	100 Standard Font (Arial only) 200 Special Font (Text only) 400 Special Graphics ¹ (From Factory) 500 Custom (Customer Supplied Art)



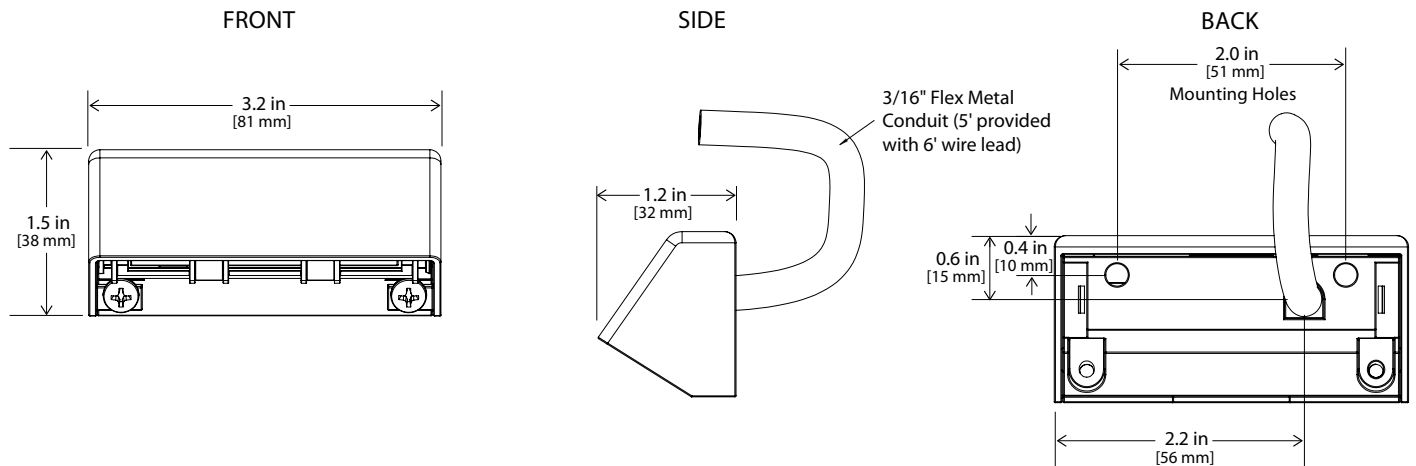
- (1) Consult factory for special graphics details.

SYSTEM INTEGRATION ACCESSORIES

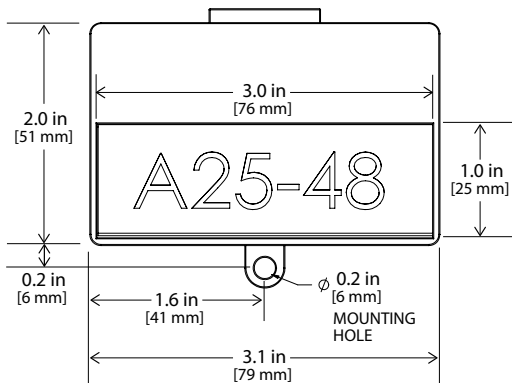
POWER SUPPLIES		
PWR-T010012/2		120V AC Input, 12V AC Output, 100W, 2 Circuit, Class II Magnetic Transformer, NEMA 3R Case
PWR-T015012/2		120V AC Input, 12V AC Output, 150W, 3 Circuit, Class II Magnetic Transformer, NEMA 3R Case
PWR-T025012/2		120V AC Input, 12V AC Output, 250W, 4 Circuit, Class II Magnetic Transformer, NEMA 3R Case
SURGE SUPPRESSION DEVICE A Tempo furnished surge suppression device must be installed on each supplying branch circuit to comply with warranty terms		
SSD-120		120V Branch Circuit
SSD-277		277V Branch Circuit
MOUNTING HARDWARE Required for each Seat Light I		
3400-HARDWARE		Seat Light I & II Hardware Kit (one kit for each seat light)

Sentinel™ Seat Light I

DIMENSIONAL INFORMATION



OPTIONAL ROW MARKER/GRAPHICS PANEL



Tempo products and technologies are protected under one or more US and International patents.

Tempo reserves the right to change materials or modify the design of its product without notification as part of the company's continuing product improvement program. Please consult www.tempolc.com for the most up-to-date specifications and technical data.